

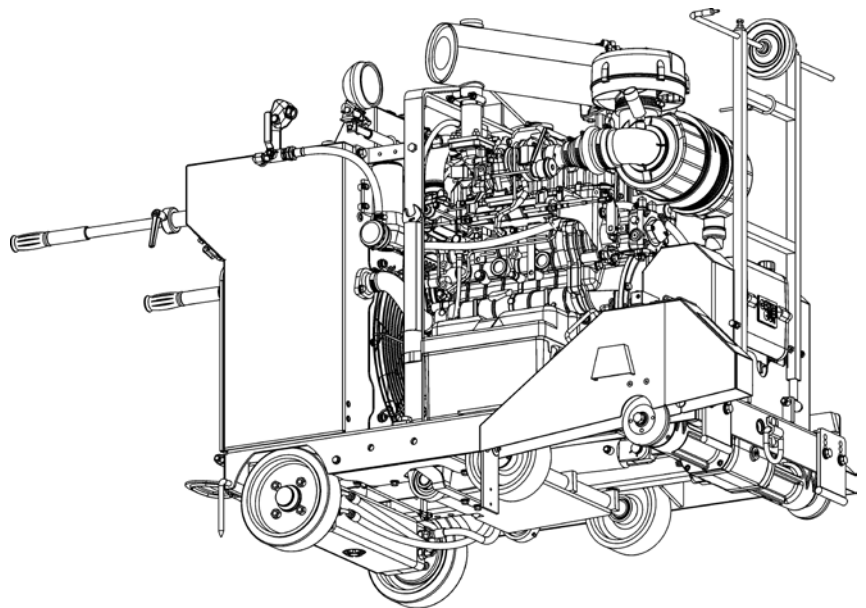
Ersatzteilliste

Spare Parts List / Liste des pièces détachées / Lista delle parti di ricambio

FSD1274★★★

FSD1274★★★ 3-Speed gear

Index / Indice «001»



Verwendung der Ersatzteilliste

Die Ersatzteilliste ist keine Montage- oder Demontageanleitung. Diese Ersatzteilliste dient ausschliesslich zum einfachen und schnellen Finden von Ersatzteilen, die bei der untenstehenden Adresse bestellt werden können.

Sicherheitsvorschrift



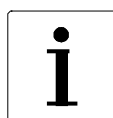
Gefahr

Montieren oder demontieren von Baugruppen kann Risiken bergen, auf die in dieser Ersatzteilliste nicht hingewiesen wird.

Das Verwenden dieser Ersatzteilliste für Montage- oder Demontagezwecke ist strikte verboten. Für Montage- und Demontearbeiten sind ausschliesslich die entsprechenden Beschreibungen in der Betriebsanleitung zu befolgen.

Nichtbeachten dieser Vorschrift kann zu Verletzungen führen, die im schlimmsten Fall auch den Tod zur Folge haben könnten.

Bestellungen



Information

Um Falschlieferungen zu vermeiden sollten vor der Versendung die Angaben in der Bestellung auf Richtigkeit und Vollständigkeit (siehe unter Bestellangaben) überprüft werden.

Es ist auch darauf zu achten, dass die Lieferadresse vollständig angegeben ist.

Bestelladresse:

TYROLIT Hydrostress AG

Witzbergstrasse 18
CH-8330 Pfäffikon
Switzerland
Tel. +41 (0) 44 / 952 18 18
Fax +41 (0) 44 / 952 18 00
e-mail: info@tyrolit.com

www.tyrolit.com

Ersatzteilliste

Bestellangaben

Bei Bestellungen von Ersatzteilen benötigen wir folgende Angaben:

- Maschinentyp gemäss Typenschild
- Maschinenummer gemäss Typenschild
- Maschinenindex gemäss Typenschild
- Ersatzteilnummer gemäss Ersatzteilliste

Für Bestellungen, Fragen und Informationen wenden Sie sich bitte an die zuständige Niederlassung.

How to use the spare parts list

The spare parts list is not intended as instructions for assembly or dismantling work. It is exclusively intended to help you to quickly and easily find spare parts, which can then be ordered at the address below.

Safety regulations



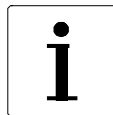
Danger

The assembling or dismantling of modules can involve risks which are not identified in this spare parts list.

The use of this spare parts list for assembly or dismantling purposes is strictly forbidden. For assembly or dismantling tasks it is essential to only follow the corresponding descriptions in the operating manual.

If this regulation is not heeded injuries may be incurred which in the worst case can also be fatal.

Ordering



Information

To avoid incorrect deliveries you should check the order details for correctness and completeness (see under ordering details) prior shipment.

You should ensure that the delivery address is given in full.

Order address:

TYROLIT Hydrostress AG

Witzbergstrasse 18
CH-8330 Pfäffikon
Switzerland
Tel. +41 (0) 44 / 952 18 18
Fax +41 (0) 44 / 952 18 00
e-mail: info@tyrolit.com

www.tyrolit.com

Spare Parts List

Ordering details

When spare parts are ordered we need the following details:

- Machine type according to nameplate
- Machine number according to nameplate
- Machine index according to nameplate
- Spare part number according to the spare parts list

For orders, questions and information please contact your responsible branch office.

Utilisation de la liste des pièces détachées

La liste des pièces détachées n'est pas une instruction de montage ou de démontage. Cette liste sert exclusivement à trouver simplement et rapidement les pièces détachées, qui peuvent être commandées à l'adresse mentionnée ci-dessous.

Prescription de sécurité



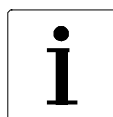
Danger

Le montage ou le démontage des modules peut présenter des risques dont il n'est pas fait mention dans cette liste des pièces détachées.

Il est strictement interdit d'employer cette liste des pièces détachées à des fins de montage ou de démontage. Pour les opérations de montage et de démontage, il faut exclusivement suivre les descriptions correspondantes dans le mode d'emploi.

Le non-respect de la présente prescription peut conduire à des blessures, pouvant même entraîner la mort.

Commandes



Information

Pour éviter des livraisons inappropriées, il est conseillé de vérifier avant l'expédition l'exactitude et l'exhaustivité des indications fournies dans la commande (voir Données de commande).

Il faut aussi veiller à bien indiquer l'adresse de livraison en entier.

Adresse de commande :

TYROLIT Hydrostress AG

Witzbergstrasse 18
CH-8330 Pfäffikon
Switzerland
Tel. +41 (0) 44 / 952 18 18
Fax +41 (0) 44 / 952 18 00
e-mail: info@tyrolit.com

www.tyrolit.com

Liste des pièces détachées

Données de commande

Lors de la commande de pièces détachées, nous avons besoin des données suivantes :

- Type de machine selon la plaque signalétique
- Numéro de machine selon la plaque signalétique
- Indice de machine selon la plaque signalétique
- Numéro de pièce détachée selon la liste des pièces détachées

Pour les commandes, questions et informations, vous êtes prié de vous adresser à la filiale compétente.

Uso della lista delle parti di ricambio

La lista delle parti di ricambio non è un manuale d'istruzioni per montaggio o smontaggio. Questa lista delle parti di ricambio serve esclusivamente per trovare in modo semplice e rapido parti di ricambio che possono essere ordinate all'indirizzo riportato qui sotto.

Norme di sicurezza



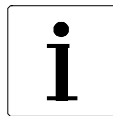
Pericolo

Il montaggio o lo smontaggio di componenti della macchina può comportare pericoli che non sono indicati in questa lista delle parti di ricambio.

E' assolutamente vietato servirsi di questa lista delle parti di ricambio per scopo di montaggio o di smontaggio. Per operazioni di montaggio o smontaggio occorre seguire esclusivamente le relative istruzioni nel manuale per l'uso della macchina.

La mancata osservanza di queste norme può comportare lesioni, e nel caso peggiore anche la morte.

Ordinazioni



Informazioni

Per evitare forniture incorrette, occorre verificare prima dell'invio dell'ordinazione se i dati indicati in essa sono corretti e completi (vedere la lista dei dati per l'ordinazione).

Occorre verificare anche se l'indirizzo per la consegna è esatto e completo.

Indirizzo per ordinazioni:

TYROLIT Hydrostress AG

Witzbergstrasse 18
CH-8330 Pfäffikon
Switzerland
Tel. +41 (0) 44 / 952 18 18
Fax +41 (0) 44 / 952 18 00
e-mail: info@tyrolit.com

www.tyrolit.com

Lista delle parti di ricambio

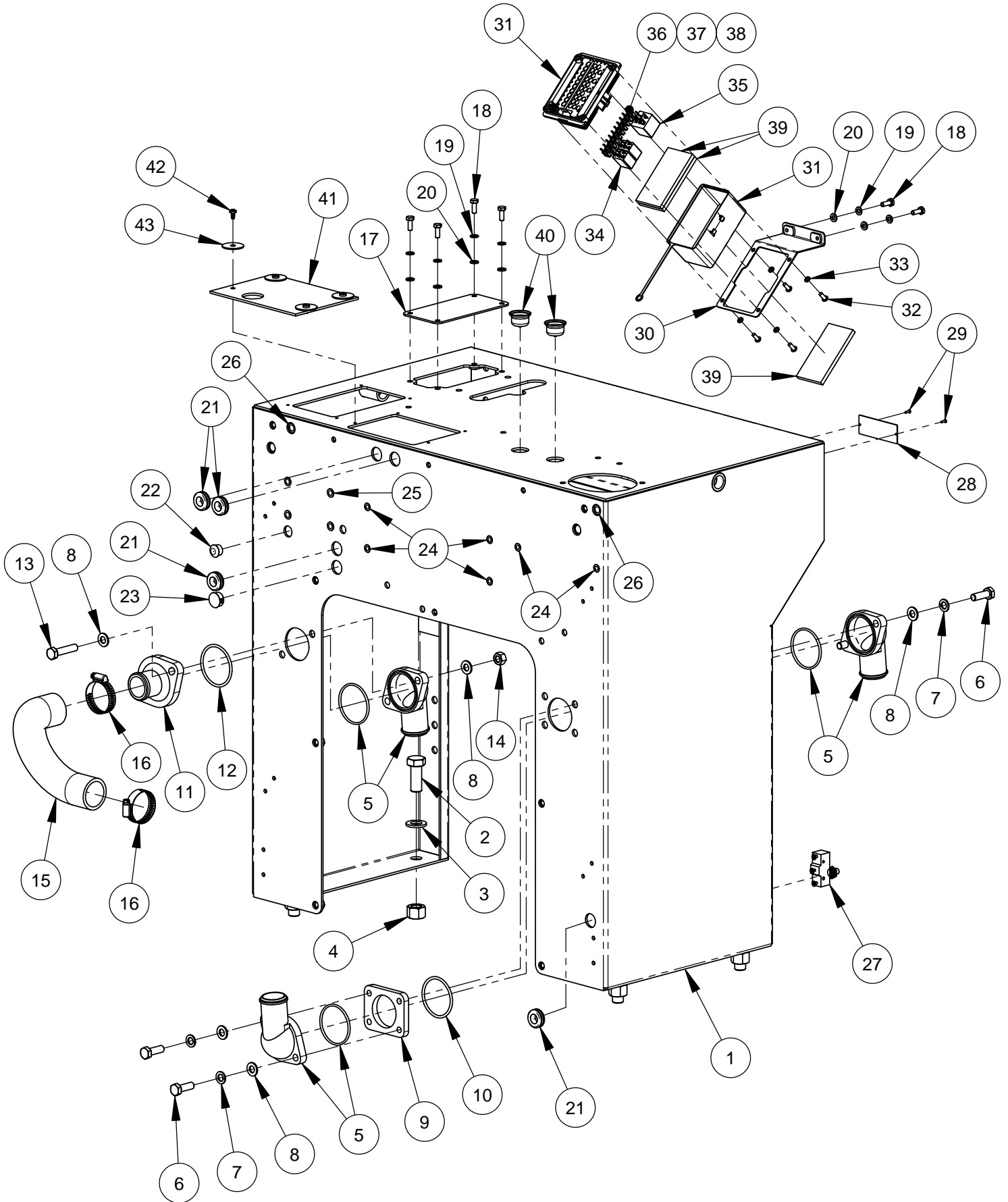
Dati per l'ordinazione

Per ordinazioni di parti di ricambio ci occorrono i dati seguenti:

- Tipo di macchina indicato sulla targhetta della macchina
- Numero della macchina indicato sulla targhetta della macchina
- Indice della macchina indicato sulla targhetta della macchina
- Numero della parte di ricambio secondo la lista di parti di ricambio

Per ordinazioni, domande o richieste d'informazioni Vi preghiamo di rivolgerVi all'agenzia competente.

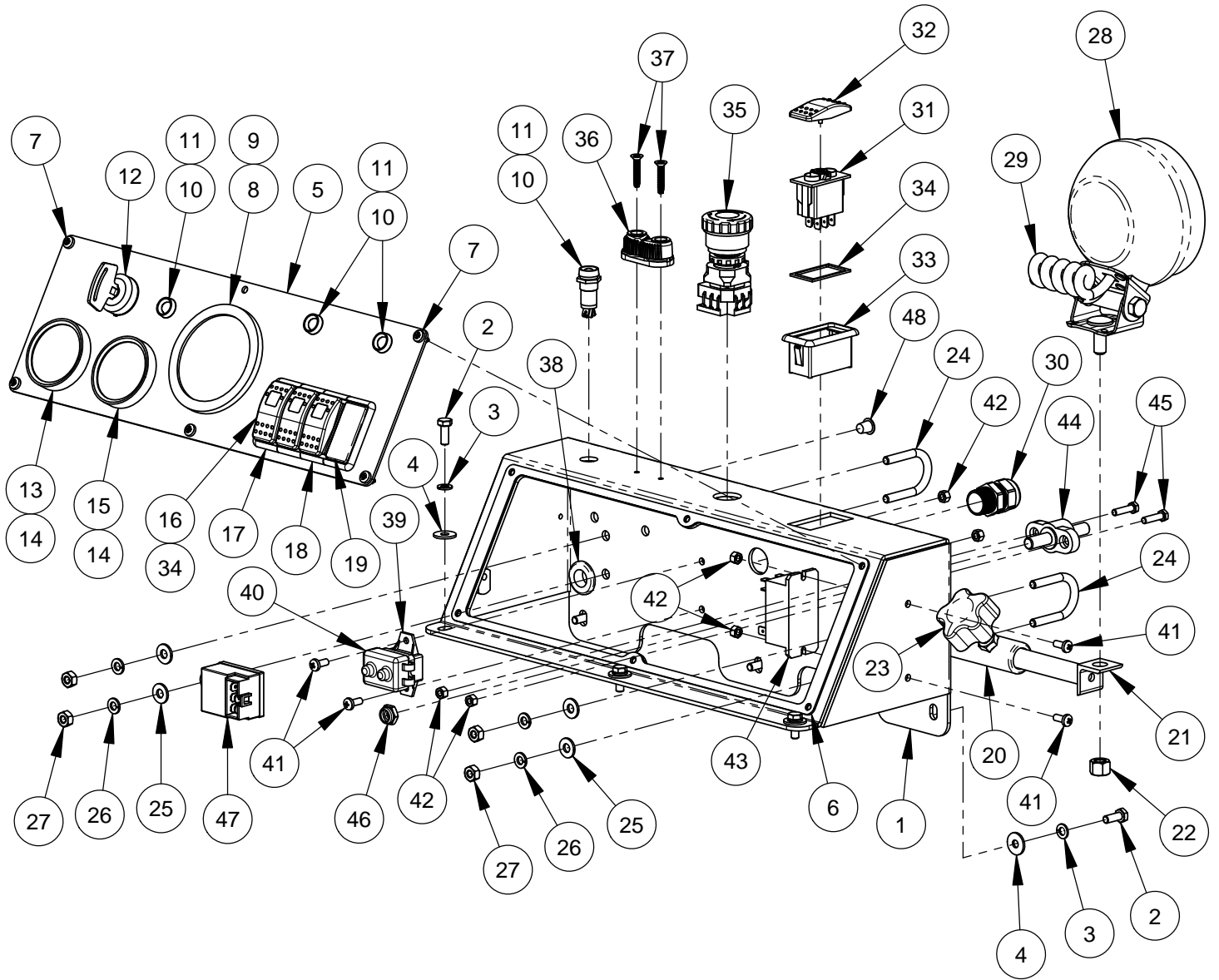
Frame Upright Assembly #6017401



Frame Upright Assembly #6017401 (SAP# 10993528)

ITEM	PART NO.	SAP NO.	QTY	DESCRIPTION
1	6017361	10993497	1	Frame Upright
2	2900731	10993316	4	Cap Screw, Hex Hd., M16-2.0 x 40mm
3	2901358	10993352	4	Flat Washer, M16
4	2900670	10993313	4	Lock Nut, M16-2.0 Nylon Insert
5	2502399	10989556	3	Water Neck with O-Ring
6	2900223	966356	4	Cap Screw, Hex Hd., M10-1.5 x 30mm
7	2900321	966391	4	Lock Washer, M10 Split
8	2901356	10993350	8	Flat Washer, M10
9	6017376	10993508	1	Water Neck Mount Plate
10	2503735	10989577	1	O-Ring #227
11	6017005	10989851	1	Water Neck (Modified)
12	2503774	10989589	1	O-Ring #228
13	2900317	966387	2	Cap Screw, Hex Hd., M10-1.5 x 45mm
14	2900304	966375	2	Lock Nut, M10-1.5 Nylon Insert
15	3201976	10989820	1	Coolant Hose, 1-1/2"
16	3202142	10989826	2	Hose Clamp #24
17	6017212	10989965	1	Cover Plate
18	2900341	10990112	6	Cap Screw, Hex Hd., M6-1.0 x 16mm
19	2900765	10993321	6	Lock Washer, M6 Split
20	2901494	10993370	6	Flat Washer, M6
21	2503712	10989564	4	Grommet, 9/16" I.D.
22	2500694	10986094	1	Plug, 5/8" Hole
23	2503746	10989584	1	Plug, 13/16" Hole
24	2503744	10989583	6	Plug, 1/4" Hole (Tapered)
25	2503749	10989585	4	Plug, 5/16" Hole (Tapered)
26	2503889	10993218	2	Plug, 3/8" Hole (Tapered)
27	2800926	10993271	1	Door Interlock Switch
28	1800169	10989496	1	Serial Number Plate, US
29	2900096	10989676	2	Rivet, 3/32" Dia.
30	6017433	10993558	1	Fuse Panel Bracket
31	2801488	10993276	1	Fuse Panel with Cover
32	2900708	10993314	4	Machine Screw, Rd. Hd., #10-32 x 1/2"
33	2900038	966295	4	Lock Washer, #10 Split
34	2801490	10993277	2	Relay, 35 Amp Micro
35	2801491	10993278	1	Relay, 50 Amp Mini
36	2801439	10993274	8	Fuse, 10 Amp Mini (Red)
37	2801440	10993275	1	Fuse, 15 Amp Mini (Blue)
38	2801590	10993279	1	Fuse, 20 Amp Mini (Yellow)
39	6017456	10993575	3	Foam Cushion 3-3/4"
40	2503970	10993229	2	Plug, 1" Hole
41	6017442	10993564	1	Panel Gasket
42	2900021	966282	4	Tap Screw, Pan Hd., #10-24 x 3/8"
43	2900083	10987846	4	Fender Washer, 1/4" x 1-1/4"

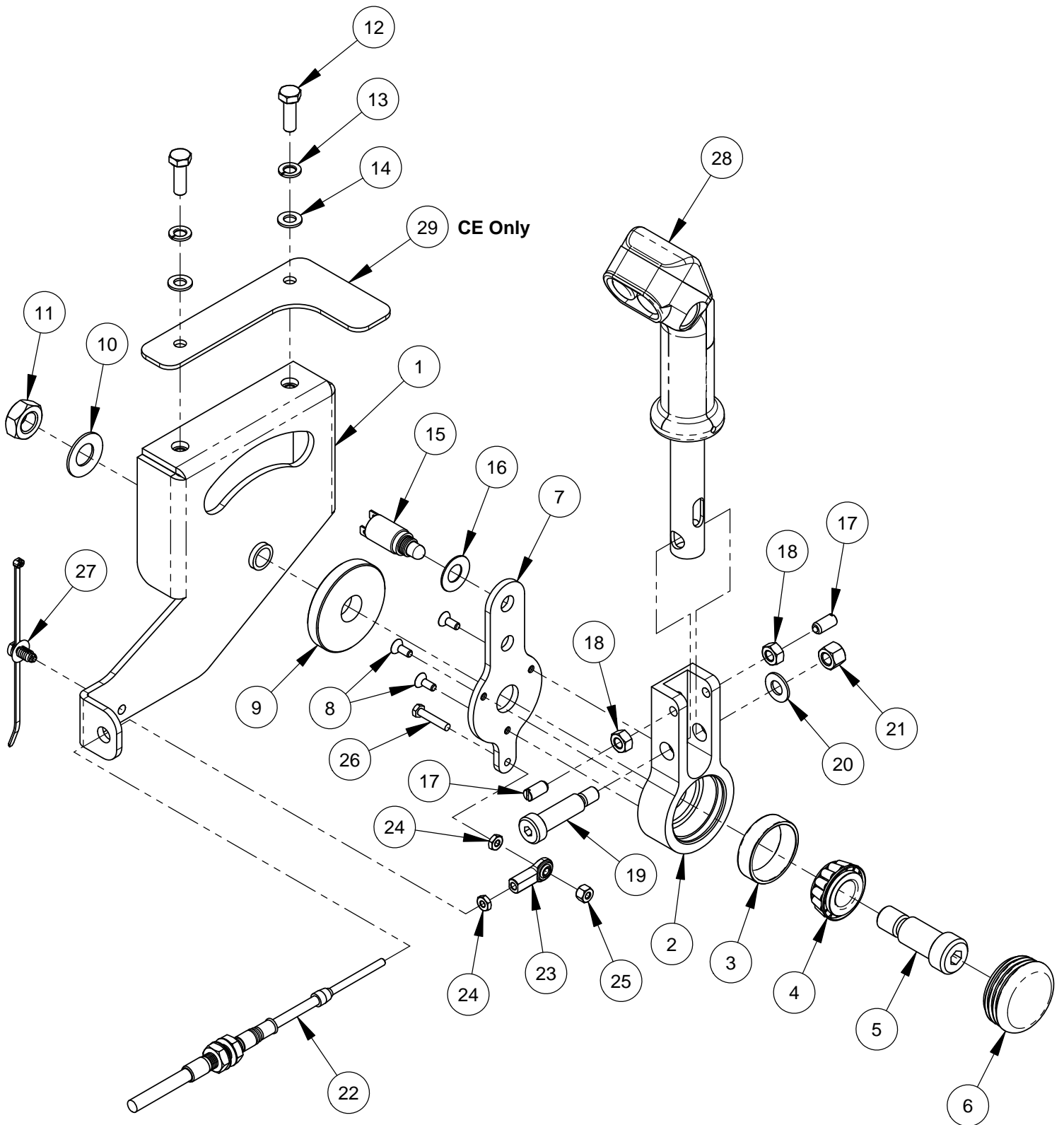
Instrument Panel Assembly #6017402A



Instrument Panel Assembly #6017402A (SAP# 10993529)

ITEM	PART NO.	SAP NO.	QTY	DESCRIPTION
1	6017374	10993506	1	Instrument Box
2	2900341	10990112	6	Cap Screw, Hex Hd., M6-1.0 x 16mm
3	2900765	10993321	6	Lock Washer, M6 Split
4	2901359	10993353	6	Fender Washer, M6
5	6017047	10989880	1	Gauge Panel
6	6017460	10993579	1	Gasket, Gauge Panel
7	2900021	966282	6	Tap Screw, Pan Hd., #10-24 x 3/8"
8	2800610	10993265	1	Tach/Hour Meter (VDO)
9	2400628	10989507	1	O-Ring #152
10	2800915	10993269	4	Indicator Light (Red)
11	2503982	10993232	4	O-Ring
12	2705001	10989636	1	Ignition Switch & Keys
	2705000	10989635	1	Ignition Keys Only (Pair)
13	2800617	10989657	1	Water Temperature Gauge
14	2503981	10993231	2	O-Ring #033
15	2705003	10989637	1	Cluster Gauge, 4 Warning Light
16	2800808	10989667	3	Rocker Switch
17	2800615	10989655	2	Rocker Mount End Panel
18	2800616	10989656	2	Rocker Mount Middle Panel
19	2800262	10989650	1	Rocker Mount Panel Plug
20	6017049	10989881	1	Light Mount Tube
21	6010106	966540	1	Light Bar
22	2900018	966279	1	Lock Nut, 3/8-16 Nylon
23	2400157	10989506	2	Hand Lock Knob, 5/16-18 x 1"
24	2900241	10989688	2	U-Bolt, 1/2" Pipe
25	2900009	966270	4	Flat Washer, 1/4" SAE
26	2900024	966284	4	Lock Washer, 1/4" Split
27	2900125	10989678	4	Hex Nut, 1/4-20
28	2500194	966157	1	Spot Light, 12 Volt
29	6017086	10989886	1	Coiled Light Cord (1 Foot)
30	2800623	10989658	1	Cord Grip, 1/2" NPT Nylon
31	2800258	10989646	1	Rocker Switch Body
32	2800259	10989647	1	Rocker Switch Actuator
33	2800260	10989648	1	Rocker Mount Panel
34	2800261	10989649	5	Rocker Panel Gasket
35	2801367	10988543	1	E-Stop Switch
36	2501427	10988122	1	Rope Cleat
37	2900483	10989713	2	Tap Screw, Flat Hd., #10-24 x 1"
38	2503712	10989564	1	Grommet, 9/16" I.D.
39	2800643	10989664	1	Circuit Breaker, 40 Amp
40	2800364	10989651	1	Circuit Breaker Boot
41	2900794	10993324	4	Machine Screw, Pan Hd., M5-0.8 x 12mm
42	2900301	966372	6	Lock Nut, M5-0.8 Nylon Insert
43	2801262	10993273	1	Relay, 30 Amp, 12V, DPST
44	2800626	10989660	1	Ground Stud Block
45	2900309	966379	2	Cap Screw, Hex Hd., M5-0.8 x 20mm
46	2903246	10993376	1	Jam Lock Nut, 3/8-16
47	2705006	10989639	1	Timer, 12V DC
48	2503749	10989585	1	Plug, 5/16" Hole (Tapered)

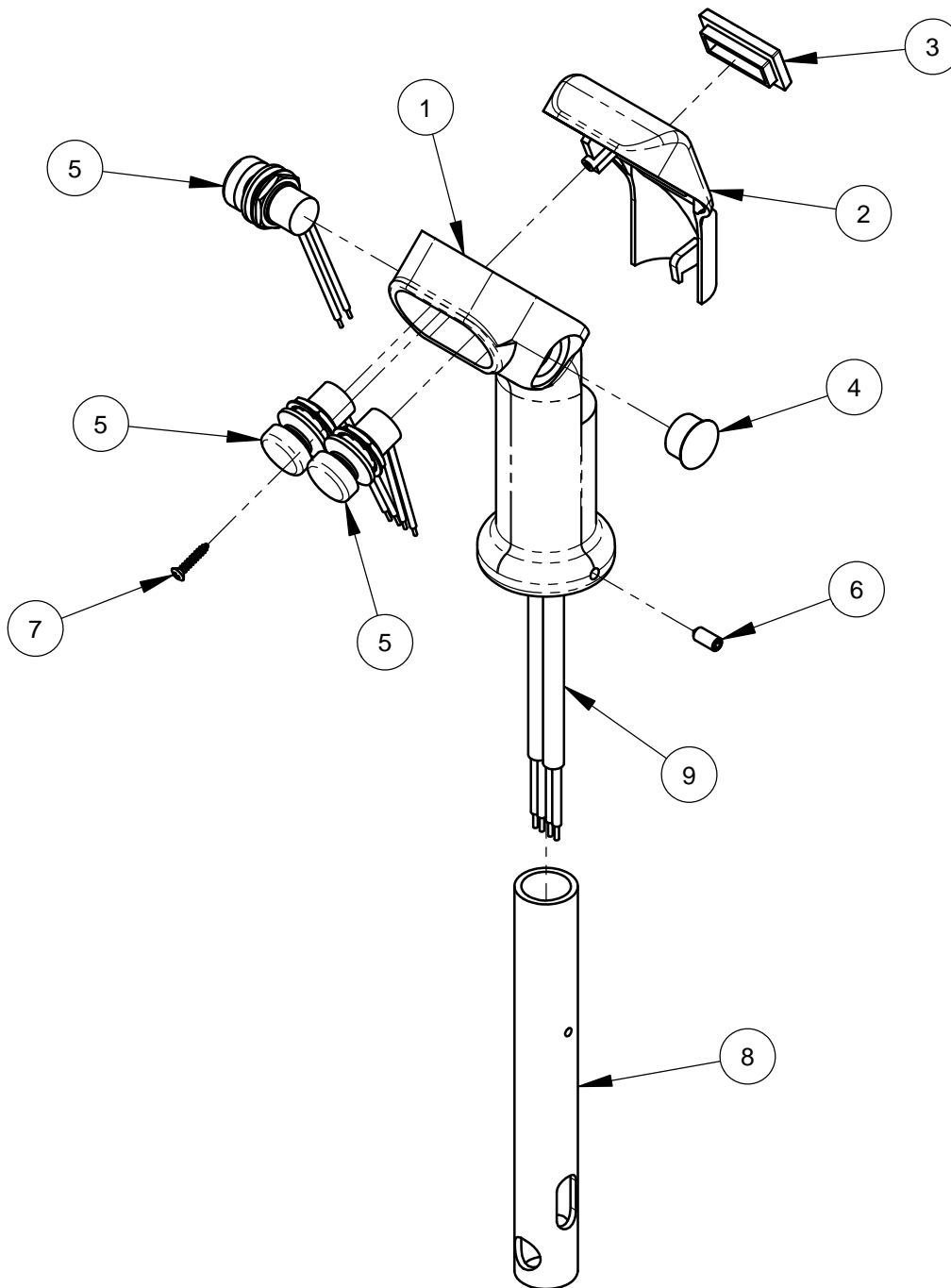
Speed Control Lever Assembly #6017403A



Speed Control Lever Assembly #6017403A (SAP# 10993530)

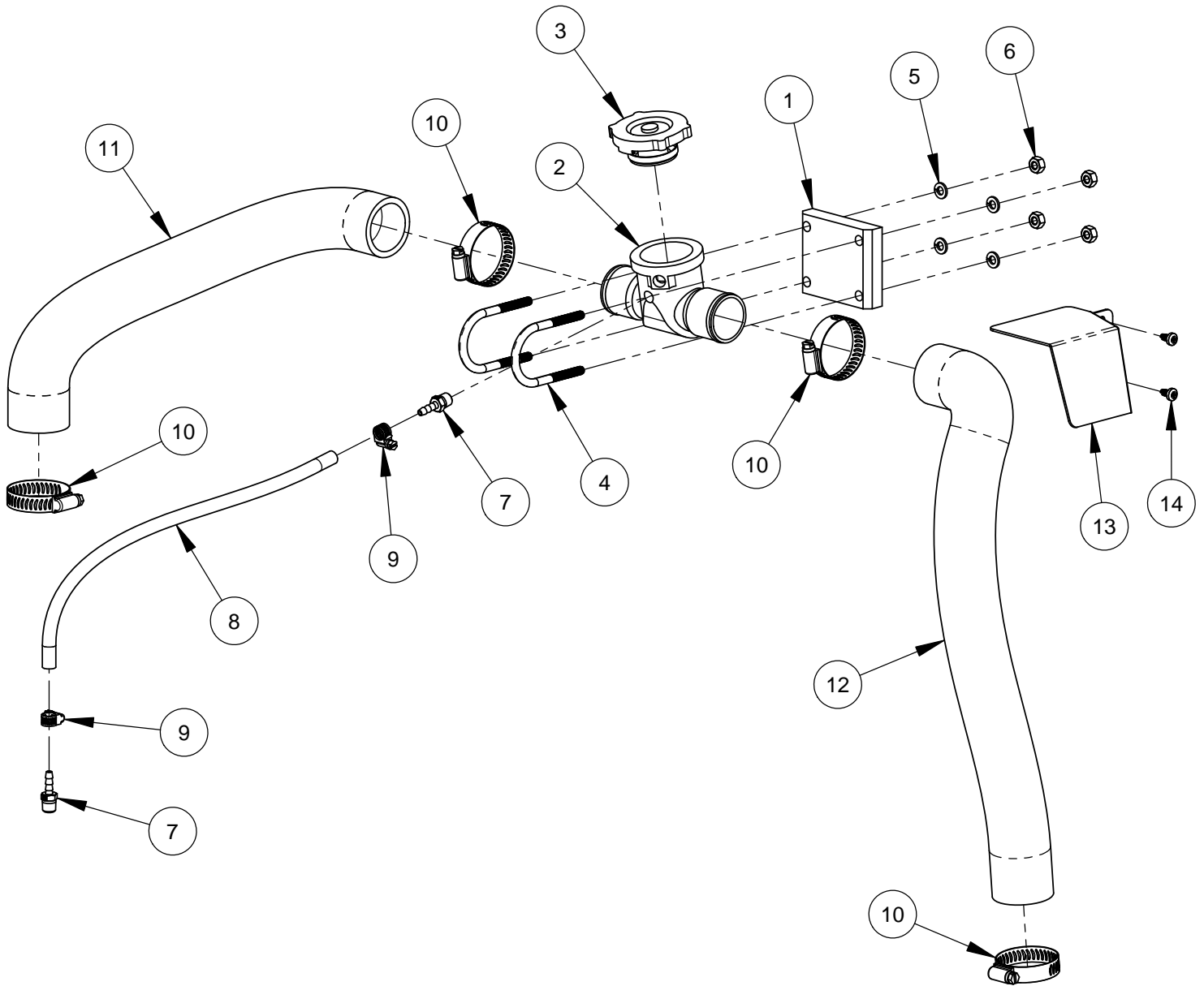
ITEM	PART NO.	SAP NO.	QTY	DESCRIPTION
1	6017384	10993516	1	Speed Control Frame
2	6017023	10989861	1	Pivot Housing
3	2502384	10989551	1	Bearing Cup
4	2502383	10989550	1	Bearing Cone
5	2900825	10989737	1	Shoulder Screw, 3/4" x 1-1/4" (5/8-11)
6	2502385	10989552	1	Grease Cap
7	6017129	10990114	1	Swing Arm
8	2900978	10989770	3	Cap Screw, Flat Hd., #10-24 x 1/2"
9	6011234	10989847	1	Friction Disc, 3/4" x 2-1/2" x 3/8"
10	2900478	10989712	1	Belleville Washer, 5/8"
11	2900256	10989692	1	Jam Nut, 5/8-11
12	2900360	10993291	2	Cap Screw, Hex Hd., M8-1.25 x 25mm
13	2900763	10993320	2	Lock Washer, M8 Split
14	2901336	10993335	2	Flat Washer, M8
15	2800927	10993272	1	Neutral Safety Switch
16	2900665	10993311	1	Belleville Washer, 1/2"
17	2502386	10989553	2	Spring Plunger M8
18	2900343	10989701	2	Hex Nut, M8-1.25
19	2900826	10989738	1	Shoulder Screw, 1/2" x 1-1/2" (3/8-16)
20	2900014	966275	1	Flat Washer, 3/8" SAE
21	2900018	966279	1	Lock Nut, 3/8-16 Nylon
22	2503781	10989592	1	Control Cable 41"
23	2500791	965296	1	Rod End, #10-32 Female
24	2900188	965295	2	Hex Nut, #10-32
25	2900688	10989724	1	Lock Nut, #10-32 Nylon
26	2900687	10989723	1	Machine Screw, Hex Hd., #10-32 x 1"
27	2800916	10993270	1	Anchor Mount Zip Tie
28	6017182	10989942	1	Control Grip Assembly
29	6017319	10993490	1	Limiter Plate (CE)

Control Grip Assembly #6017182 (SAP# 10989942)



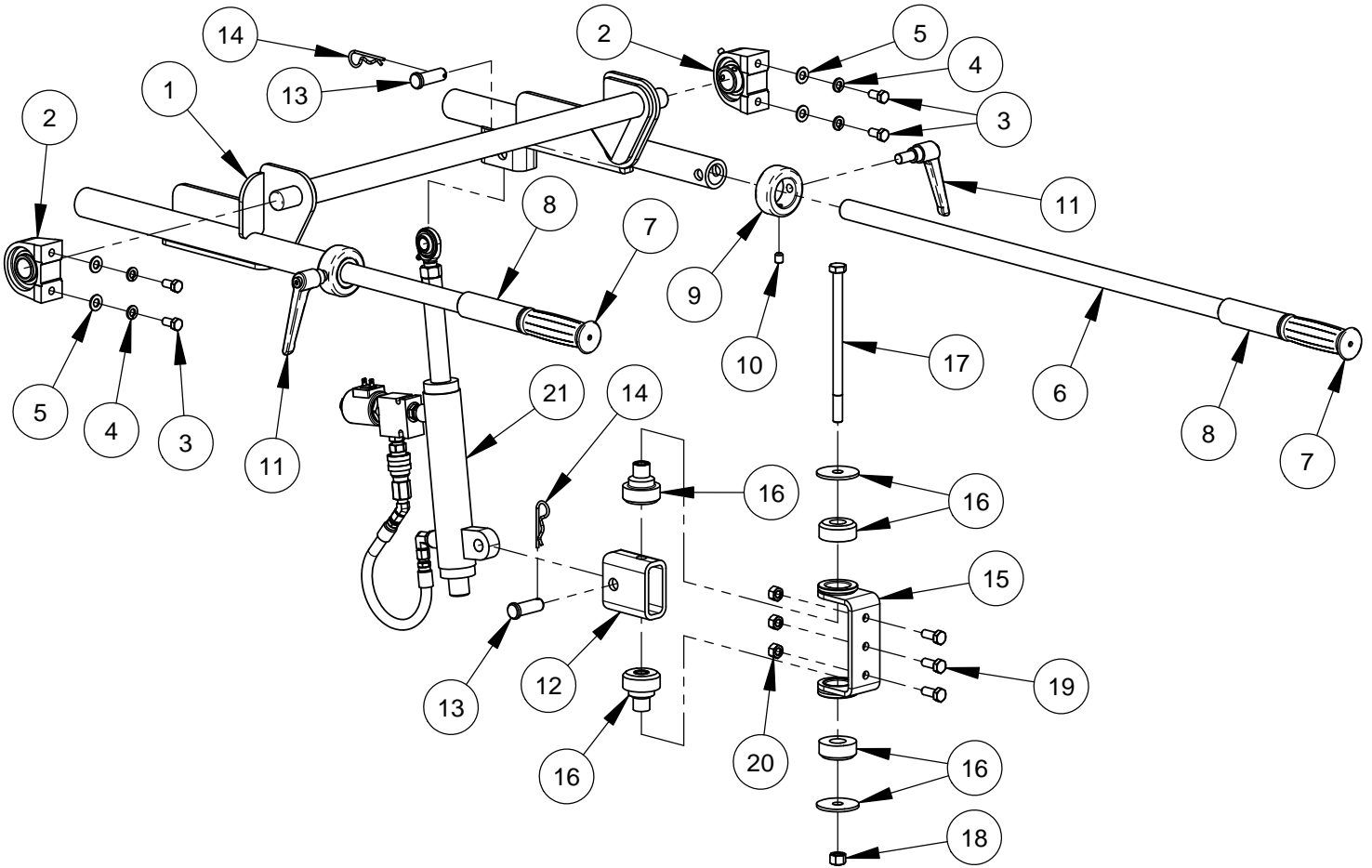
ITEM	PART NO.	SAP NO.	QTY.	DESCRIPTION
1	2501280	10989524	1	Control Grip Body
2	2501281	10989525	1	Control Grip Cover
3	2500644	10986093	1	Plug, Rectangular
4	2500694	10986094	1	Plug, 5/8" Hole
5	2800373	10985951	3	Pushbutton Switch (B&W)
6	2900453	10989710	1	Set Screw, Soc. Hd., M5-0.8 x 12mm
7	2900452	10989709	1	Machine Screw, Oval Hd., #4 x 5/8"
8	6017025	10989862	1	Speed Control Tube
9	6017274	10989989	1	Control Grip Harness

Filler Neck Assembly #6017242 (SAP# 10989978)



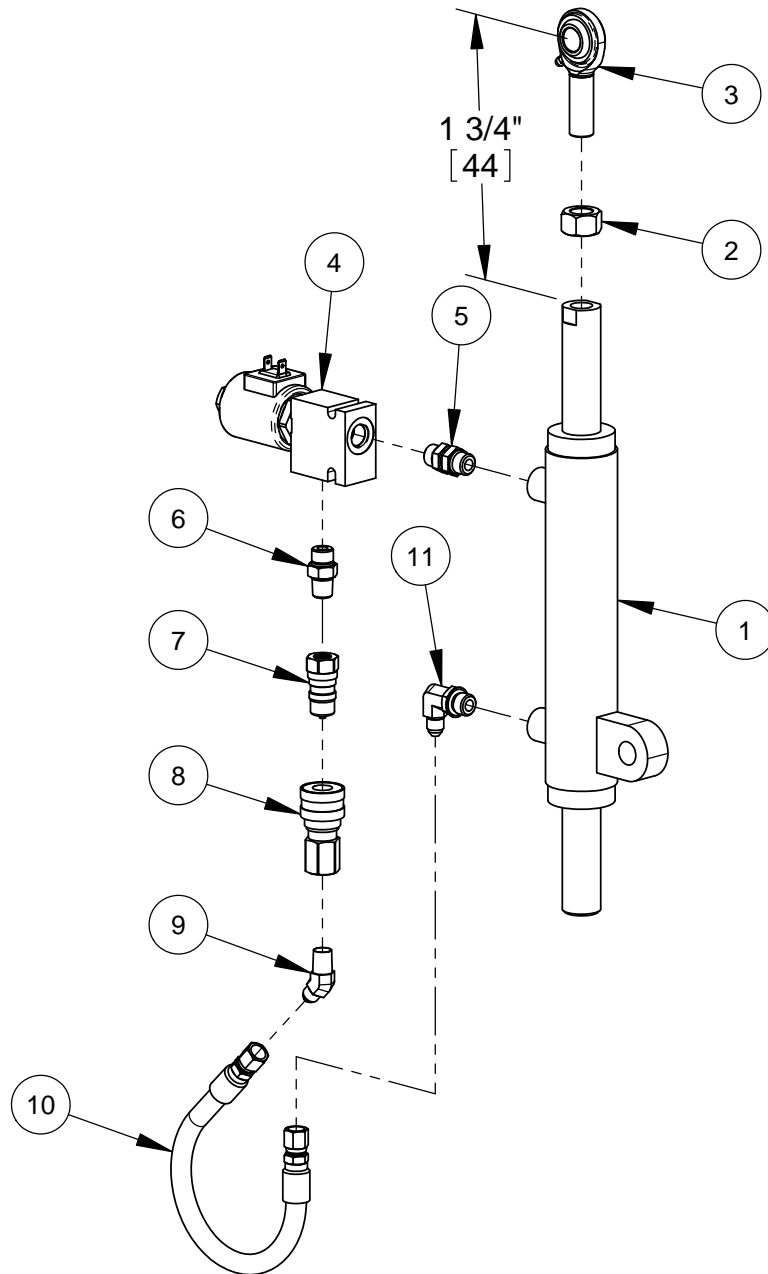
ITEM	PART NO.	SAP NO.	QTY	DESCRIPTION
1	6017140	10989911	1	Filler Neck Spacer
2	6017283	10989998	1	Radiator In-Line Filler Neck
3	2502381	10989549	1	Radiator Cap
4	2900379	10989702	2	U-Bolt, 1" Pipe
5	2900024	966284	4	Lock Washer, 1/4" Split
6	2900125	10989678	4	Hex Nut, 1/4-20
7	3200187	10989781	2	Fitting, 1/8" M. Pipe to 3/16" Hose Barb
8	6017277	10989992	1	Hose, 3/16" I.D. x 17"
9	3200062	966437	2	Hose Clamp #4
10	3202142	10989826	4	Hose Clamp #24
11	3201977	10989821	1	Coolant Hose, 1-1/2"
12	3202001	10989824	1	Coolant Hose, 1-1/2"
13	6017393	10993521	1	Hose Cover
14	2900021	966282	2	Tap Screw, Pan Hd., #10-24 x 3/8"

Handle Bar Assembly #6017404 (SAP# 10993531)



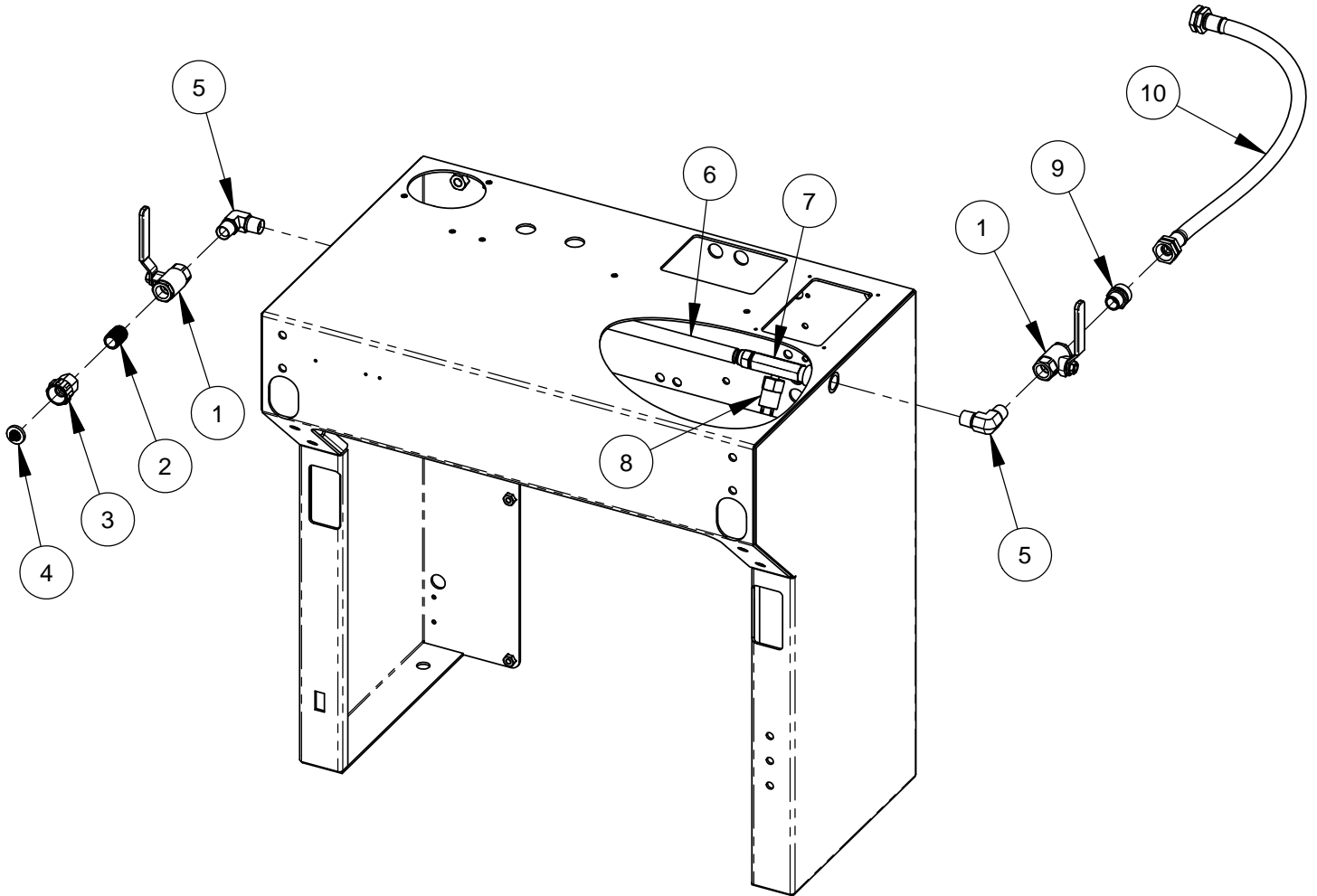
ITEM	PART NO.	SAP NO.	QTY	DESCRIPTION
1	6017026	10989863	1	Handle Holder Frame
2	2500732	965280	2	Pillow Block Bearing 1"
3	2900196	10989685	4	Cap Screw, Hex Hd., 3/8-16 x 3/4"
4	2900006	966267	4	Lock Washer, 3/8" Split
5	2900014	966275	4	Flat Washer, 3/8" SAE
6	6010014	965692	2	Handle Bar, 36" Long
7	2500636	966207	2	Handle Grip
8	2501955	10985964	2	Handle Stop Grip
9	6017377	10993509	2	Lock Collar
10	2901341	10993337	2	Set Screw, Soc. Hd., M10-1.5 x 12mm
11	2502390	10989555	2	Adjustable Lever 1/2-13 x 1"
12	6017301	10990012	1	Isolator Mount Tube
13	2900828	10989739	2	Clevis Pin, 5/8" x 1-3/4"
14	2900829	10989740	2	Hairpin Cotter, 1/8" x 5/8" to 7/8"
15	6017302	10990013	1	Isolator Mount Bracket
16	2503789	10989597	2	Vibration Isolator
17	2901342	10993338	1	Cap Screw, Hex Hd., M12-1.75 x 200mm
18	2900327	966396	1	Lock Nut, M12-1.75 Nylon Insert
19	2900333	966402	3	Cap Screw, Hex Hd., M10-1.5 x 25mm
20	2900304	966375	3	Lock Nut, M10-1.5 Nylon Insert
21	6017243	10989979	1	Double Rod Cylinder Assembly

Double Rod Cylinder Assembly #6017243 (SAP# 10989979)



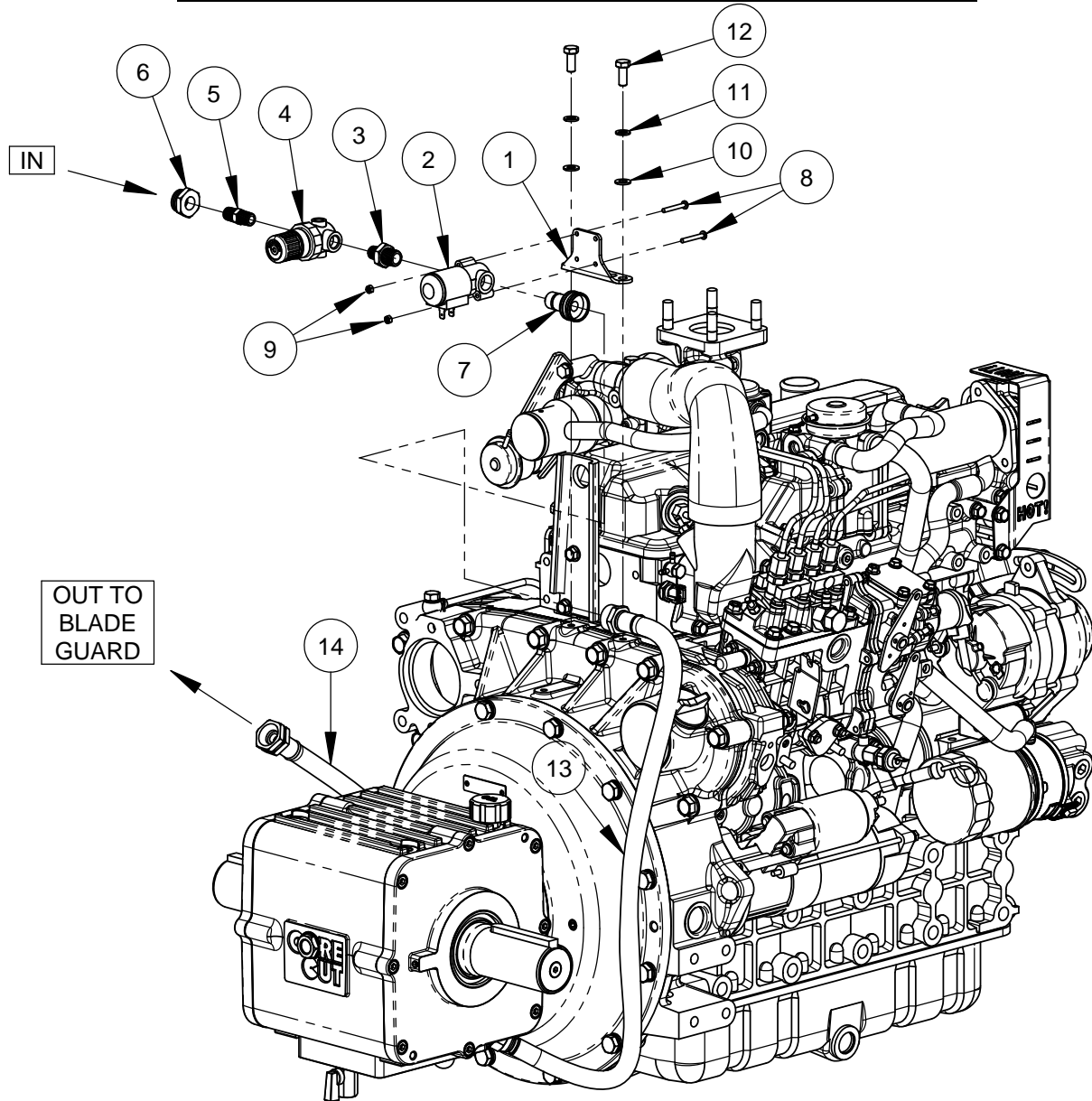
ITEM	PART NO.	SAP NO.	QTY	DESCRIPTION
1	2503725	10989569	1	Cylinder, Double Rod
2	2900255	10989691	1	Hex Nut, 5/8-18
3	2503732	10989576	1	Rod End, 5/8-18 Male
4	3201660	10989799	1	Valve, Solenoid Blocking
5	3201661	10990113	1	Union, 3/8" to 3/8" O-Ring
6	3201662	10989801	1	Adapter, 3/8" O-Ring to 1/4" M. Pipe
7	3200381	10989785	1	Nipple, 1/4" Q.D.
8	3200382	10989786	1	Coupler, 1/4" Q.D.
9	3201663	10989802	1	Elbow, 1/4" M. Pipe to 1/4" M. JIC (45 deg)
10	6017196	10989961	1	Hose Assembly 1/4" x 14"
11	3200551	10989791	1	Elbow, 3/8" O-Ring to 1/4" M. JIC

Water Supply Assembly #6017265 (SAP# 10989984)



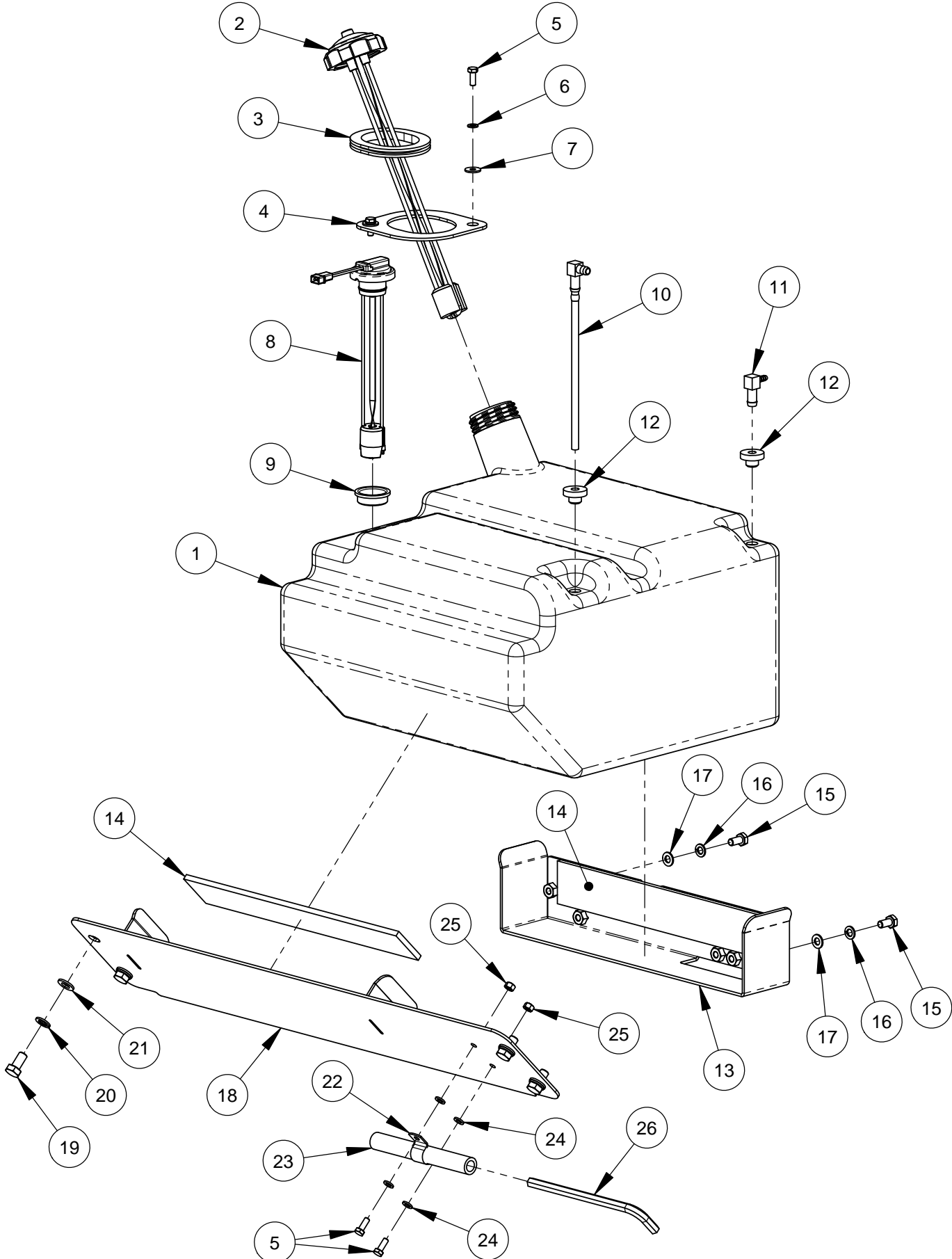
ITEM	PART NO.	SAP NO.	QTY	DESCRIPTION
1	3200027	966426	2	Water Valve
2	3200008	966417	1	Close Nipple, 1/2" NPT
3	3200022	966422	1	Fitting, 1/2" F. Pipe to 3/4" F. Garden
4	3200025	966424	1	Hose Filter Washer
5	3200166	966456	2	Elbow, 1/2" Male Pipe
6	6017239	10989975	1	Water Hose Assembly 23"
7	6017240	10989976	1	Adapter, 1/2" JIC to 1/2" Pipe
8	2800060	966250	1	Water Pressure Safety Switch
9	3200155	966453	1	Fitting, 1/2" M. Pipe to 3/4" M. Garden
10	6040110	10990072	1	Water Hose Assembly 60"

Water Valve Assembly #6017266 (SAP# 10989985)



ITEM	PART NO.	SAP NO.	QTY	DESCRIPTION
1	6017235	10989971	1	Valve Bracket
2	3200775	10989793	1	Water Solenoid Valve
3	3200296	10993382	1	Adapter, 3/8" M. Pipe to 1/4" M. Pipe
4	6017454	10993574	1	Pressure Regulator (40 PSI)
5	3200060	966436	1	Hex Nipple, 1/4" NPT
6	3200023	966423	1	Fitting, 3/4" M. Garden to 1/4" F. Pipe
7	3202081	10993390	1	Fitting, 3/4" F. Garden to 3/8" M. Pipe
8	2901343	10993339	2	Machine Screw, Pan Hd., M4-0.7 x 30mm
9	2900457	10993296	2	Lock Nut, M4-0.7 Nylon Insert
10	2901336	10993335	2	Flat Washer, M8
11	2900763	10993320	2	Lock Washer, M8 Split
12	2900329	966398	2	Cap Screw, Hex Hd., M8-1.25 x 20mm
13	6017236	10989972	1	Water Hose Assembly 32"
14	6017446	10993567	1	Water Hose Assembly 72"

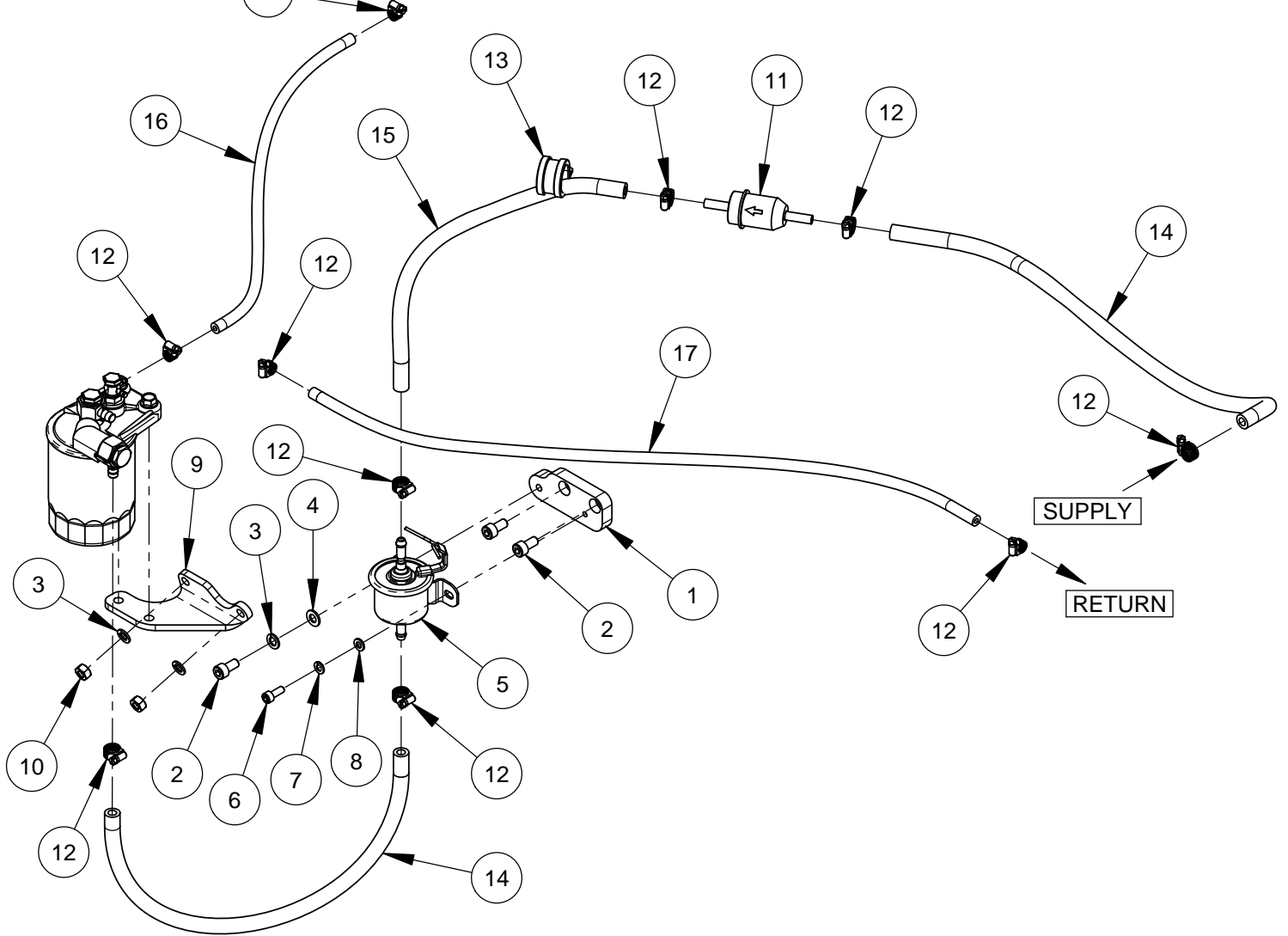
Fuel Tank Assembly #6017405



Fuel Tank Assembly #6017405 (SAP# 10993532)

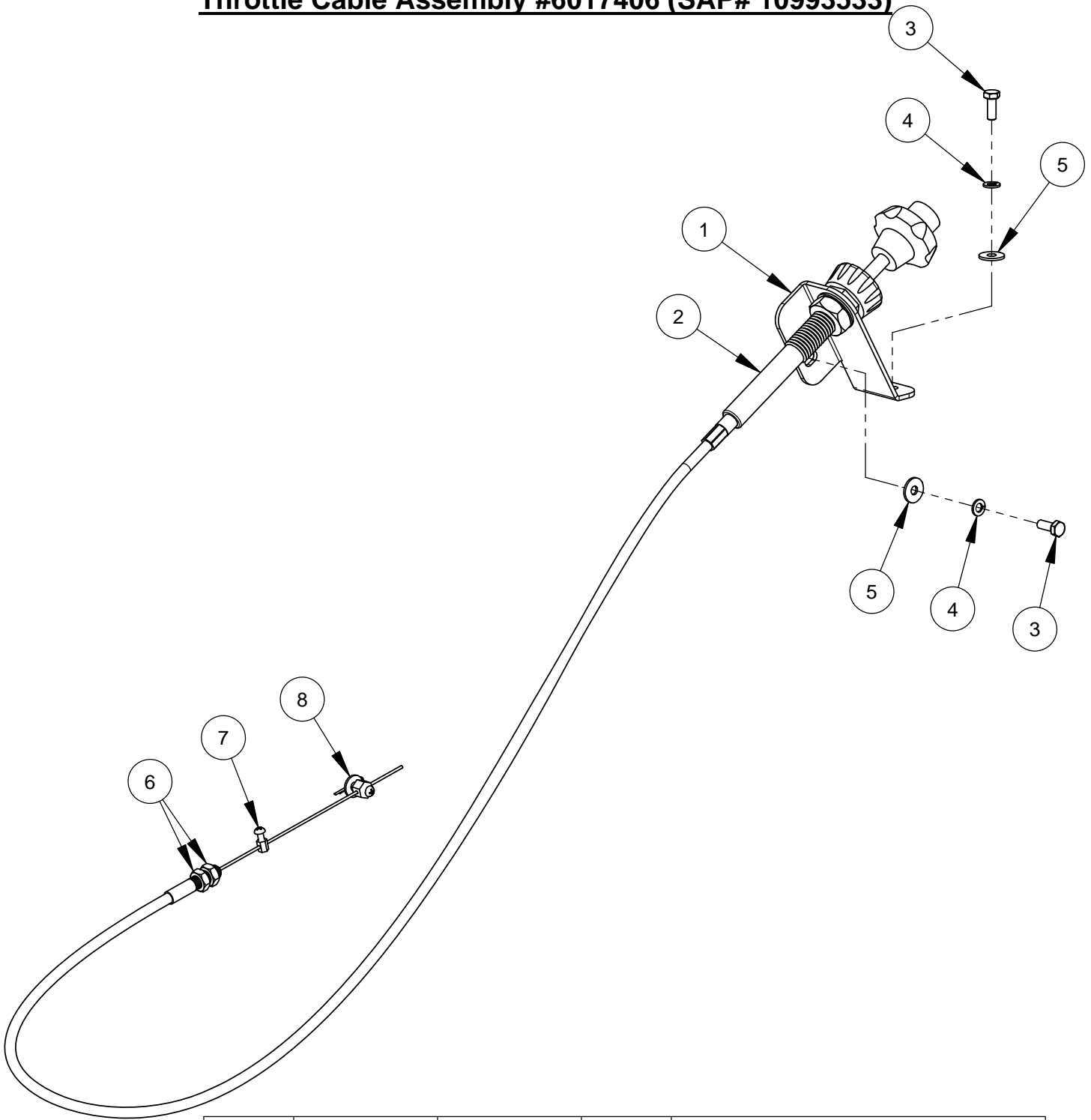
ITEM	PART NO.	SAP NO.	QTY	DESCRIPTION
1	6017441	10993563	1	Fuel Tank
2	2504786	10993239	1	Fuel Tank Cap & Gauge
3	2503706	10989560	1	Fuel Tank Grommet
4	6017043	10989877	1	Filler Flange Plate
5	2900341	10990112	4	Cap Screw, Hex Hd., M6-1.0 x 16mm
6	2900765	10993321	2	Lock Washer, M6 Split
7	2901359	10993353	2	Fender Washer, M6
8	2503962	10993225	1	Fuel Level Sender
9	2503963	10993226	1	Grommet, Fuel Sender
10	2503708	10989561	1	Tank Elbow w/Pick-Up Tube
11	2503709	10989562	1	Tank Elbow, 3/16" Barb
12	2501215	10989519	2	Bushing, Rubber, Tank
13	6017385	10993517	1	Tank Tray
14	6017015	10989856	2	Fuel Tank Pad 13-1/2"
15	2900868	10993327	2	Cap Screw, Hex Hd., M8-1.25 x 16mm
16	2900763	10993320	2	Lock Washer, M8 Split
17	2901336	10993335	2	Flat Washer, M8
18	6017042	10989876	1	Access Panel
19	2900314	966384	4	Cap Screw, Hex Hd., M10-1.5 x 20mm
20	2900321	966391	4	Lock Washer, M10 Split
21	2901356	10993350	4	Flat Washer, M10
22	3201887	10989810	1	Hose Clamp
23	6017238	10989974	1	Hose, 1/2" I.D. x 6"
24	2901494	10993370	4	Flat Washer, M6
25	2900302	966373	2	Lock Nut, M6-1.0 Nylon Insert
26	2501923	10986175	1	L-Key, 3/8" Hex

Fuel Supply Assembly #6017407 (SAP# 10993534)



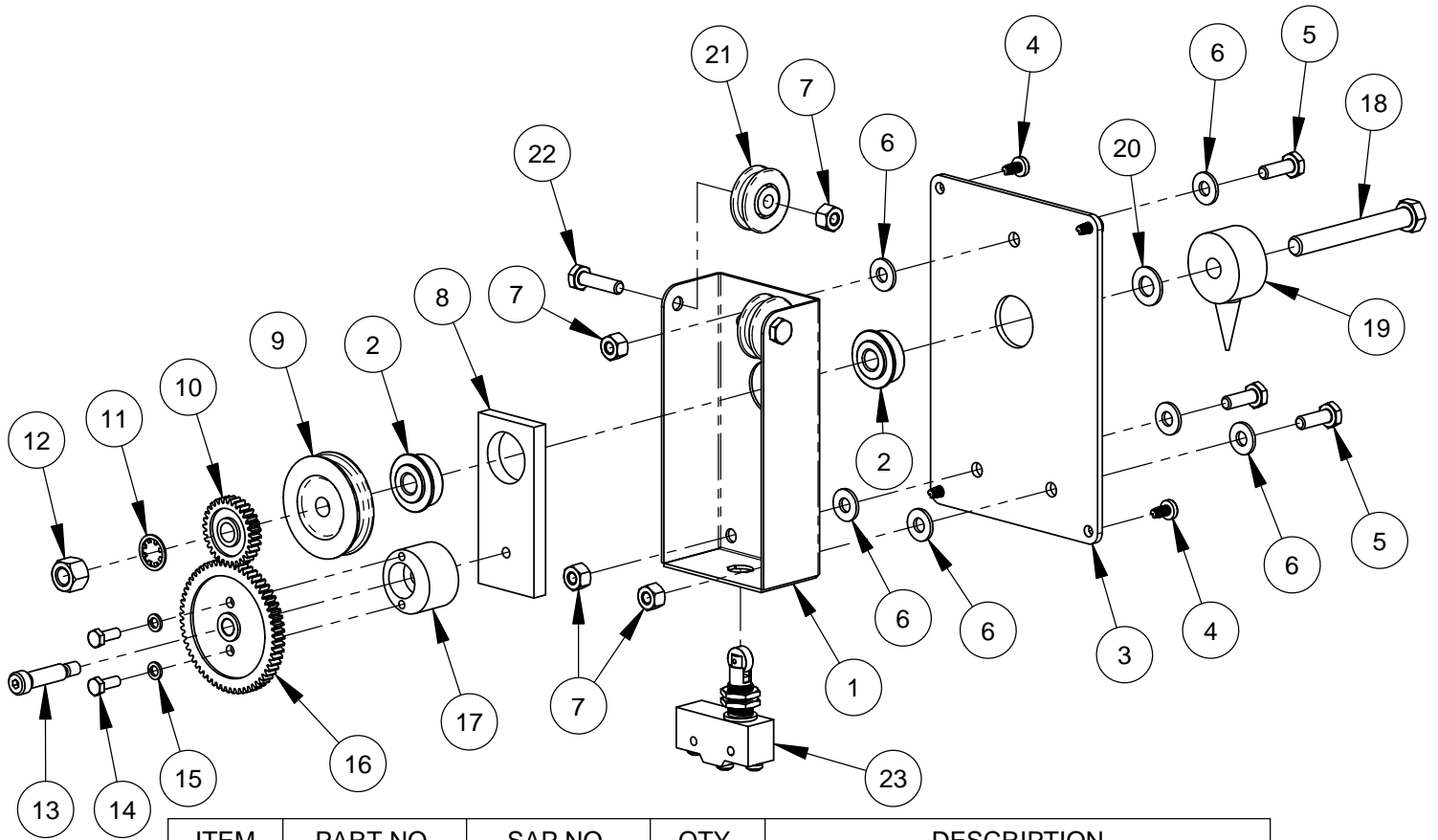
ITEM	PART NO.	SAP NO.	QTY.	DESCRIPTION
1	6017146	10989916	1	Fuel Pump Mount Bar
2	2900267	10989695	3	Cap Screw, Soc. Hd., M8-1.25 x 16mm
3	2900763	10993320	3	Lock Washer, M8 Split
4	2901336	10993335	1	Flat Washer, M8
5	2705005	10989638	1	Electric Fuel Pump
6	2900553	10989717	1	Cap Screw, Soc. Hd., M6-1.0 x 16mm
7	2900765	10993321	1	Lock Washer, M6 Split
8	2901494	10993370	1	Flat Washer, M6
9	6017357	10993495	1	Fuel Filter Mount Bracket
10	2900343	10989701	2	Hex Nut, M8-1.25
11	2501785	10984871	1	Filter, Diesel Fuel
12	3200062	966437	10	Hose Clamp #4
13	3201729	10989809	1	Hose Clamp, 1" x 3/4" Wide
14	6017044	10989878	2	Fuel Supply Hose, 5/16" I.D. x 20"
15	6017297	10990009	1	Fuel Hose, 5/16" I.D. x 14"
16	6017277	10989992	1	Hose, 3/16" I.D. x 17"
17	6017045	10989879	1	Fuel Return Hose, 3/16" I.D. x 30"

Throttle Cable Assembly #6017406 (SAP# 10993533)



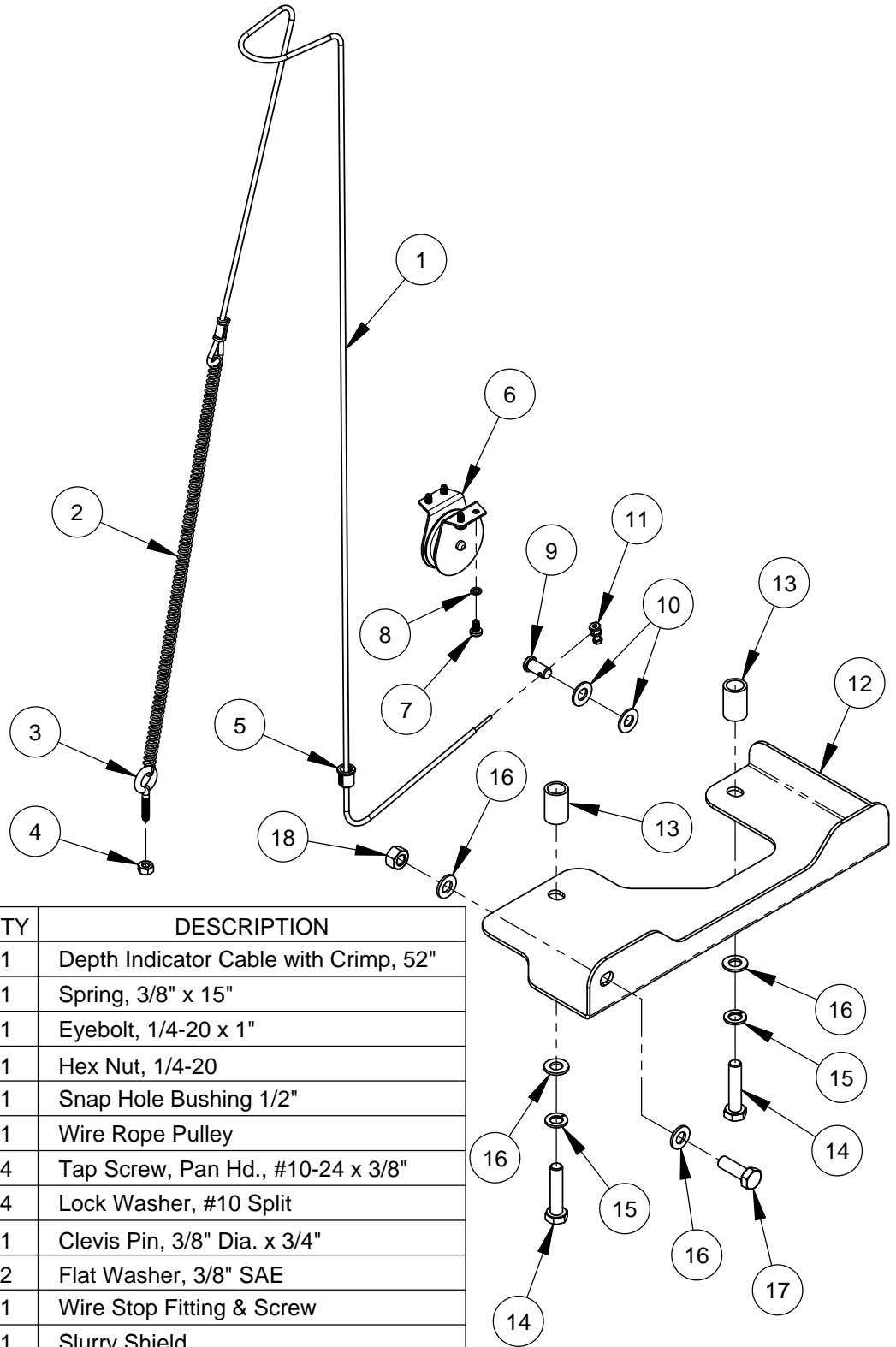
ITEM	PART NO.	SAP NO.	QTY.	DESCRIPTION
1	6017132	10989903	1	Throttle Bracket
2	2503782	10989593	1	Vernier Throttle Cable
3	2900341	10990112	2	Cap Screw, Hex Hd., M6-1.0 x 16mm
4	2900765	10993321	2	Lock Washer, M6 Split
5	2901359	10993353	2	Fender Washer, M6
6	2900696	10989725	2	Jam Nut, 3/8-24
7	2503847	10993208	1	Wire Stop and Screw
8	2502180	10989536	1	Wire Stop Pivot Assembly

Depth Indicator Assembly #6017060 (SAP# 10989884)



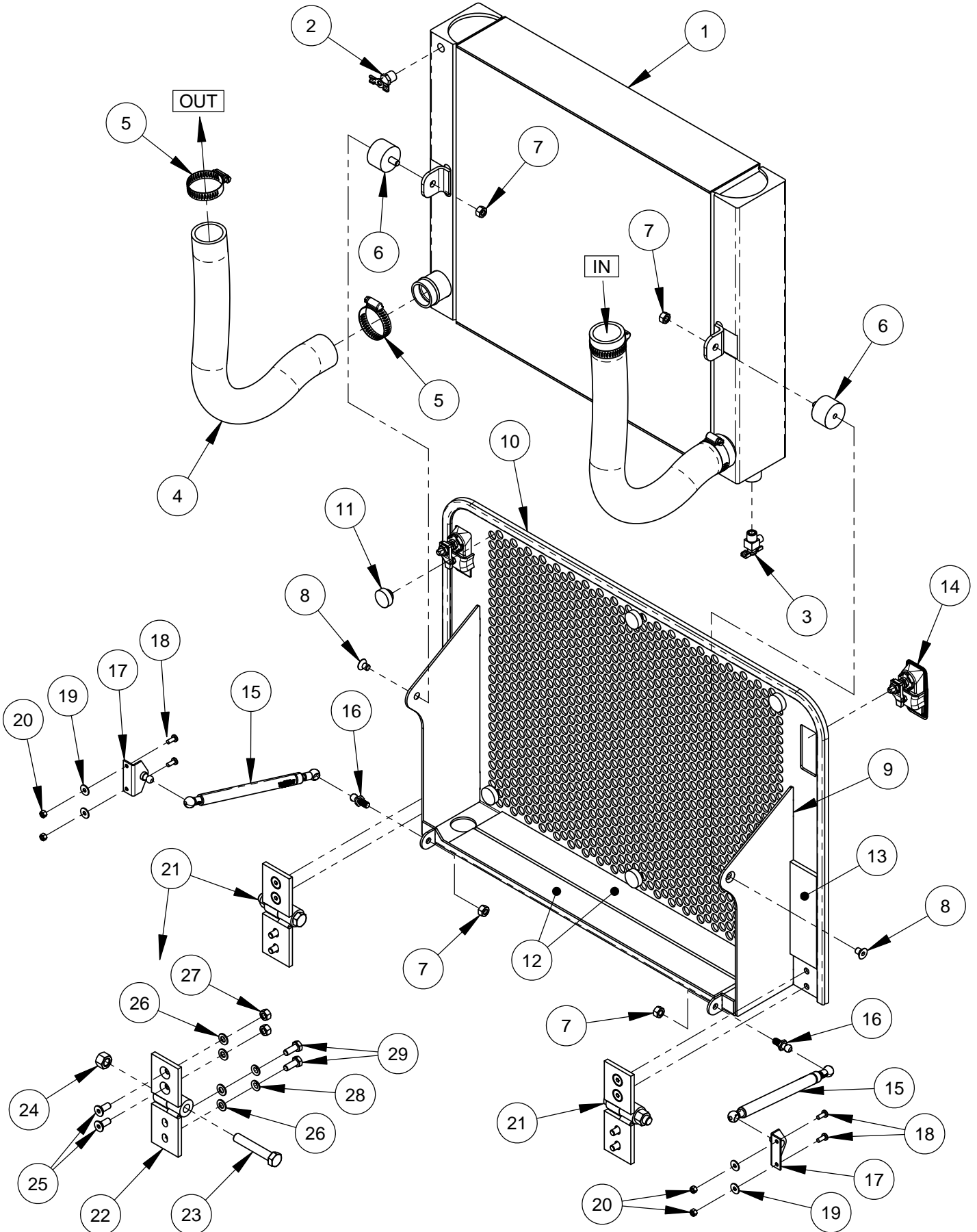
ITEM	PART NO.	SAP NO.	QTY.	DESCRIPTION
1	6017031	10989865	1	Depth Indicator Bracket
2	2500145	966142	2	Flange Bearing, 3/8"
3	6017032	10989866	1	Depth Indicator Panel
4	2900021	966282	4	Tap Screw, Pan Hd., #10-24 x 3/8"
5	2900144	966338	3	Cap Screw, Hex Hd., 1/4-20 x 3/4"
6	2900009	966270	6	Flat Washer, 1/4" SAE
7	2900010	966271	5	Lock Nut, 1/4-20 Nylon
8	6017033	10989867	1	Gear Set Plate
9	6017147	10989917	1	Cable Pulley
10	6017034	10989868	1	Gear, 30 Tooth
11	2900254	10993288	1	Lock Washer, 3/8" Internal Tooth
12	2900018	966279	1	Lock Nut, 3/8-16 Nylon
13	2900855	10989743	1	Shoulder Screw, 5/16" x 1" (1/4-20)
14	2900448	10989707	2	Machine Screw, Hex Hd., #10-32 x 1/2"
15	2900038	966295	2	Lock Washer, #10 Split
16	6017035	10989869	1	Gear, 60 Tooth
17	6017036	10989870	1	Cam
18	2900035	966292	1	Cap Screw, Hex Hd., 3/8-16 x 3"
19	6010091	966528	1	Depth Indicator Pointer
20	2901383	10993368	1	Friction Washer, 3/8"
21	2500155	966150	2	Cable Pulley, 1-1/4"
22	2900008	966269	2	Cap Screw, Hex Hd., 1/4-20 x 1"
23	2800609	10989654	1	Limit Switch, Roller Plunger

Depth Indicator Cable Assembly #6017408A (SAP# N/A)



ITEM	PART NO.	SAP NO.	QTY	DESCRIPTION
1	6017149	10989918	1	Depth Indicator Cable with Crimp, 52"
2	2500196	966159	1	Spring, 3/8" x 15"
3	2900548	10989716	1	Eyebolt, 1/4-20 x 1"
4	2900125	10989678	1	Hex Nut, 1/4-20
5	2503731	10989575	1	Snap Hole Bushing 1/2"
6	2503724	10989568	1	Wire Rope Pulley
7	2900021	966282	4	Tap Screw, Pan Hd., #10-24 x 3/8"
8	2900038	966295	4	Lock Washer, #10 Split
9	2900261	10989693	1	Clevis Pin, 3/8" Dia. x 3/4"
10	2900014	966275	2	Flat Washer, 3/8" SAE
11	2501189	10989517	1	Wire Stop Fitting & Screw
12	6017233	10989970	1	Slurry Shield
13	6048127	966736	2	Spacer Tube, 1-1/8" Long
14	2900317	966387	2	Cap Screw, Hex Hd., M10-1.5 x 45mm
15	2900321	966391	2	Lock Washer, M10 Split
16	2901356	10993350	4	Flat Washer, M10
17	2900223	966356	1	Cap Screw, Hex Hd., M10-1.5 x 30mm
18	2900304	966375	1	Lock Nut, M10-1.5 Nylon Insert

Radiator Assembly #6017410

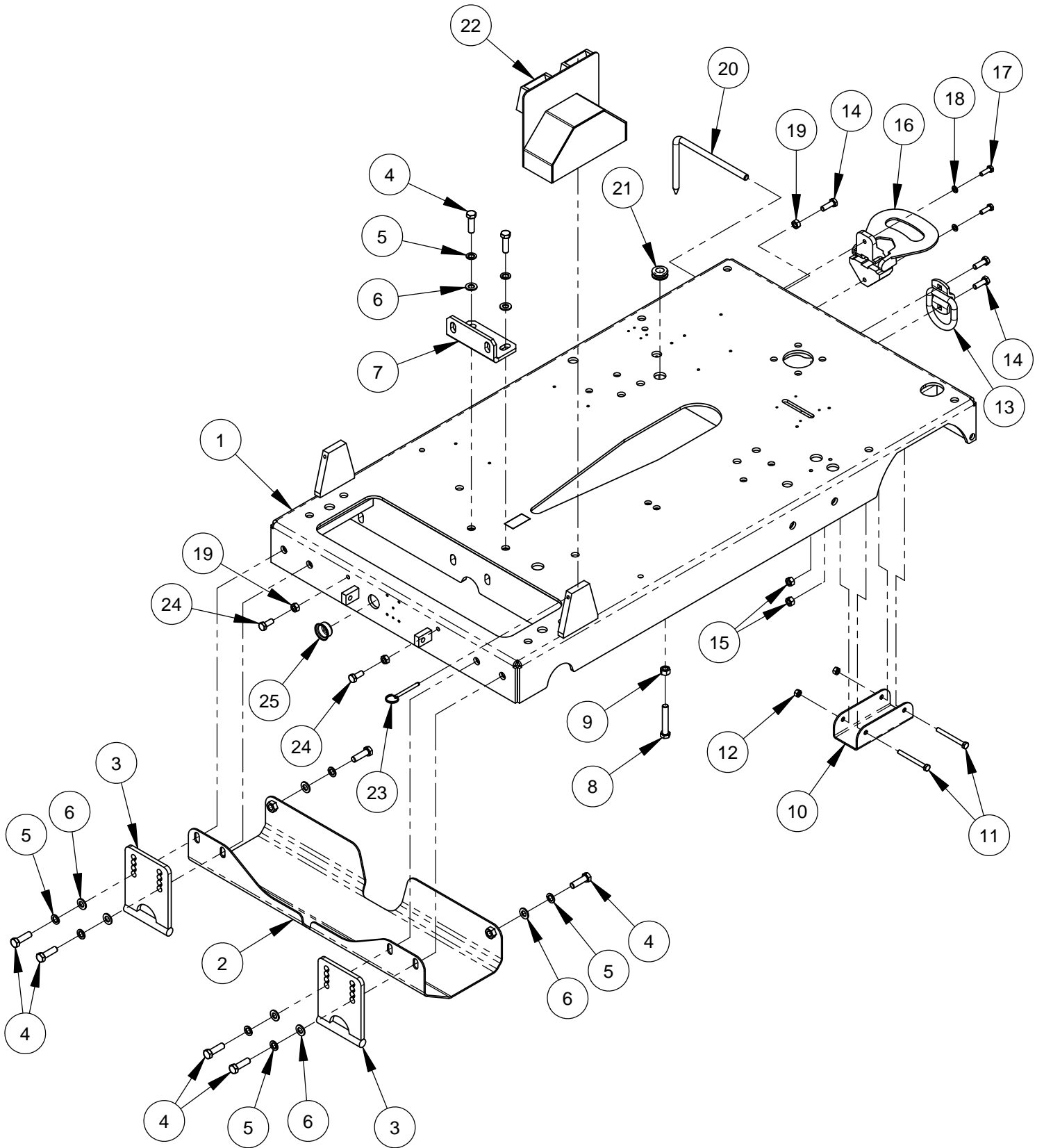


Radiator Assembly #6017410 (SAP# 10993537)

ITEM	PART NO.	SAP NO.	QTY	DESCRIPTION
1	2502190	10989542	1	Radiator
2	3200035	969769	1	Petcock, 1/4 NPT
3	3202143	10989827	1	Drain Valve, 1/4" NPT
4	3202141	10989825	2	Radiator Hose, 1-1/2" x 22"
5	3202142	10989826	4	Hose Clamp #24
6	2503886	10993216	2	Vibration Isolator, M8-1.25
7	2900303	966374	4	Lock Nut, M8-1.25 Nylon Insert
8	2901344	10993340	2	Cap Screw, Flat Hd., M8-1.25 x 12mm
9	6017012	10989853	1	Radiator Door
10	6017013	10989854	1	Edge Trim Seal 65"
11	2502389	10989554	6	Button Bumper
12	6017014	10989855	2	Radiator Pad 20"
13	6017267	10989986	1	Rubber Strip 6"
14	2502196	10989544	2	Latch Assembly
15	2502374	10989546	2	Damper, Extension
16	2503883	10993213	2	Ball Stud 10mm (M8-1.25 Thread)
17	2501144	10989516	2	Mounting Ball L-Bracket
18	2900794	10993324	4	Machine Screw, Pan Hd., M5-0.8 x 12mm
19	2900770	10993323	4	Fender Washer, M5
20	2900301	966372	4	Lock Nut, M5-0.8 Nylon Insert
21	6017411	10993538	2	Hinge Assembly

ITEM	PART NO.	SAP NO.	QTY	DESCRIPTION
22	6017379	10993511	1	Radiator Door Hinge
23	2901345	10993341	1	Cap Screw, Hex Hd., M12-1.75 x 70mm
24	2900327	966396	1	Lock Nut, M12-1.75 Nylon Insert
25	2900611	10993308	2	Cap Screw, Flat Hd., M8-1.25 x 20mm
26	2901336	10993335	4	Flat Washer, M8
27	2900303	966374	2	Lock Nut, M8-1.25 Nylon Insert
28	2900763	10993320	2	Lock Washer, M8 Split
29	2900329	966398	2	Cap Screw, Hex Hd., M8-1.25 x 20mm

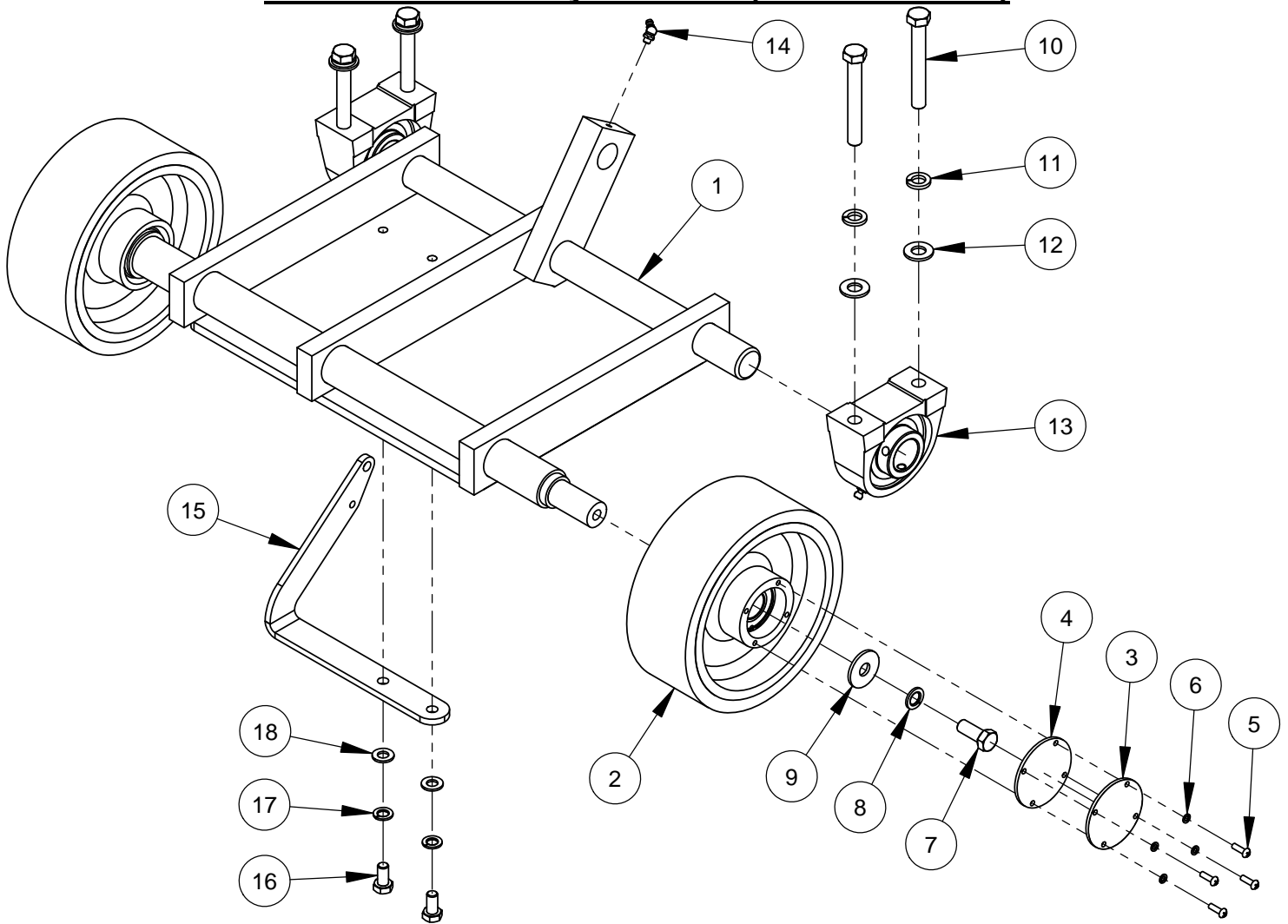
Frame Base Assembly #6017412



Frame Base Assembly #6017412 (SAP# 10993539)

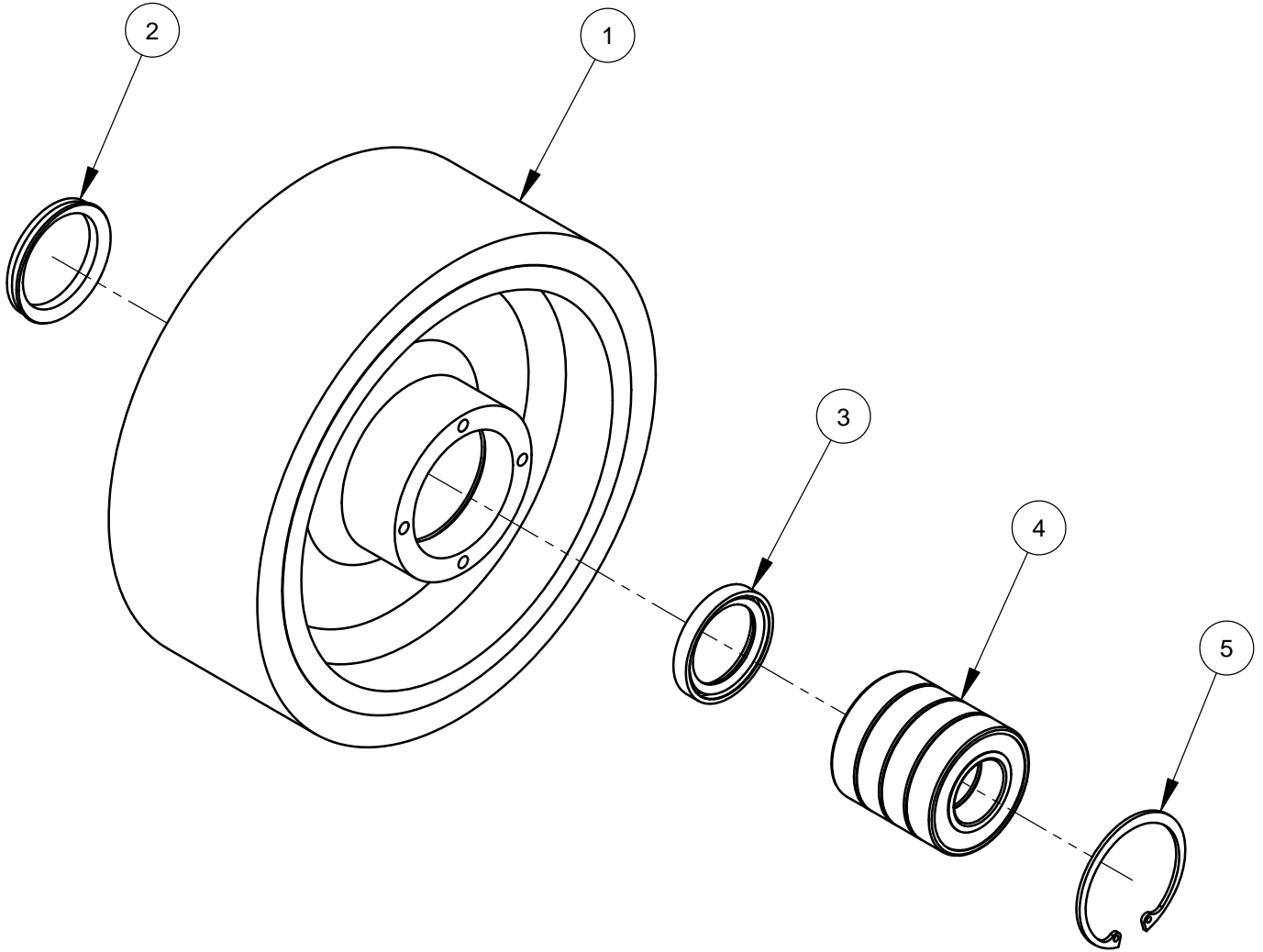
ITEM	PART NO.	SAP NO.	QTY	DESCRIPTION
1	6017360	10993496	1	Frame Base Weldment
2	6017375	10993507	1	Skid Guard
3	6017157	10989924	2	Skid Plate
4	2900331	966400	8	Cap Screw, Hex Hd., M12-1.75 x 40mm
5	2900699	10989726	8	Lock Washer, M12 Split
6	2901357	10993351	8	Flat Washer, M12
7	6018124	10990068	1	Transmission Mounting Bracket
8	2901347	10993342	2	Tap Bolt, Hex Hd., M12-1.75 x 70mm
9	2900482	10993301	2	Hex Nut, M12-1.75
10	6017323	10993492	2	Rail Shoe
11	2901141	10993333	4	Cap Screw, Hex Hd., M8-1.25 x 80mm
12	2900303	966374	4	Lock Nut, M8-1.25 Nylon Insert
13	2504368	10989621	1	Tie Down
14	2900223	966356	3	Cap Screw, Hex Hd., M10-1.5 x 30mm
15	2900304	966375	2	Lock Nut, M10-1.5 Nylon Insert
16	2503798	10989603	1	Foot Rest, Folding
17	2900360	10993291	2	Cap Screw, Hex Hd., M8-1.25 x 25mm
18	2900763	10993320	2	Lock Washer, M8 Split
19	2900325	966394	3	Hex Nut, M10-1.5
20	6010683	10989843	1	Rear Pointer Rod
21	2503742	10989581	1	Grommet, 11/16" I.D.
22	6010645	10989842	1	Shaft/Flange Guard (Wide)
23	2900156	966346	1	Lock Pin with Ring
24	2900333	966402	2	Cap Screw, Hex Hd., M10-1.5 x 25mm
25	2503791	10989598	1	Plug, 1-1/4" Hole

Front Axle Assembly #6017413 (SAP# 10993540)



ITEM	PART NO.	SAP NO.	QTY	DESCRIPTION
1	6017382	10993514	1	Front Axle Weldment
2	6010581	10983390	2	Wheel Assembly, 8" Front
3	6010536	10989035	2	Wheel Cover
4	2501393	10989034	2	Wheel Cover Gasket
5	2900159	10989036	8	Machine Screw, Rd. Hd., #10-24 x 5/8"
6	2900038	966295	8	Lock Washer, #10 Split
7	2900330	966399	2	Cap Screw, Hex Hd., M12-1.75 x 30mm
8	2900699	10989726	2	Lock Washer, M12 Split
9	2901339	10993336	2	Fender Washer, M12
10	2900400	10989705	4	Cap Screw, Hex Hd., 1/2-13 x 3-3/4"
11	2900084	966321	4	Lock Washer, 1/2" Split
12	2900058	966308	4	Flat Washer, 1/2" SAE
13	2500158	977418	2	Pillow Block Bearing 1-1/4"
14	2900184	966349	1	Grease Fitting, 1/4" NPT x 45 degree
15	6017144	10989914	1	Front Axle Arm
16	2900314	966384	2	Cap Screw, Hex Hd., M10-1.5 x 20mm
17	2900321	966391	2	Lock Washer, M10 Split
18	2901356	10993350	2	Flat Washer, M10

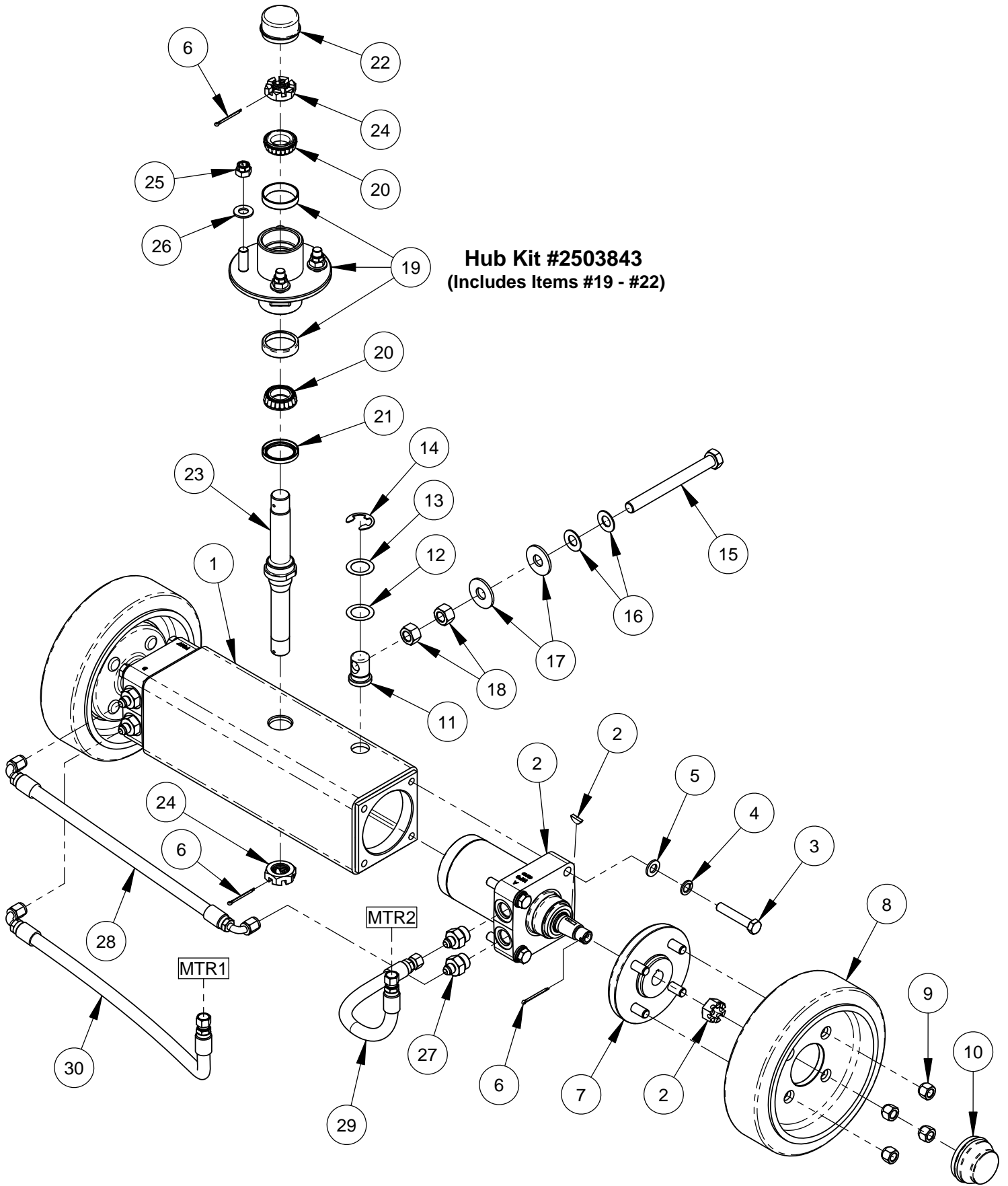
Front Wheel Assembly #6010581 (SAP# 10983390)



ITEM	PART NO.	SAP NO.	QTY.	DESCRIPTION
1	2501390	10986381	1	Wheel, 8" Front
2	2501428	10984862	1	Seal, 1-1/2" V-Ring
3	2501391	10984863	1	Seal, 1-1/4" x 1-3/4" x 1/4"
4	2501418	10984864	4	Ball Bearing, 1" x 2" x 1/2"
5	2501392	10989527	1	Retaining Ring, 2" Internal

Rear Axle Assembly #6017414

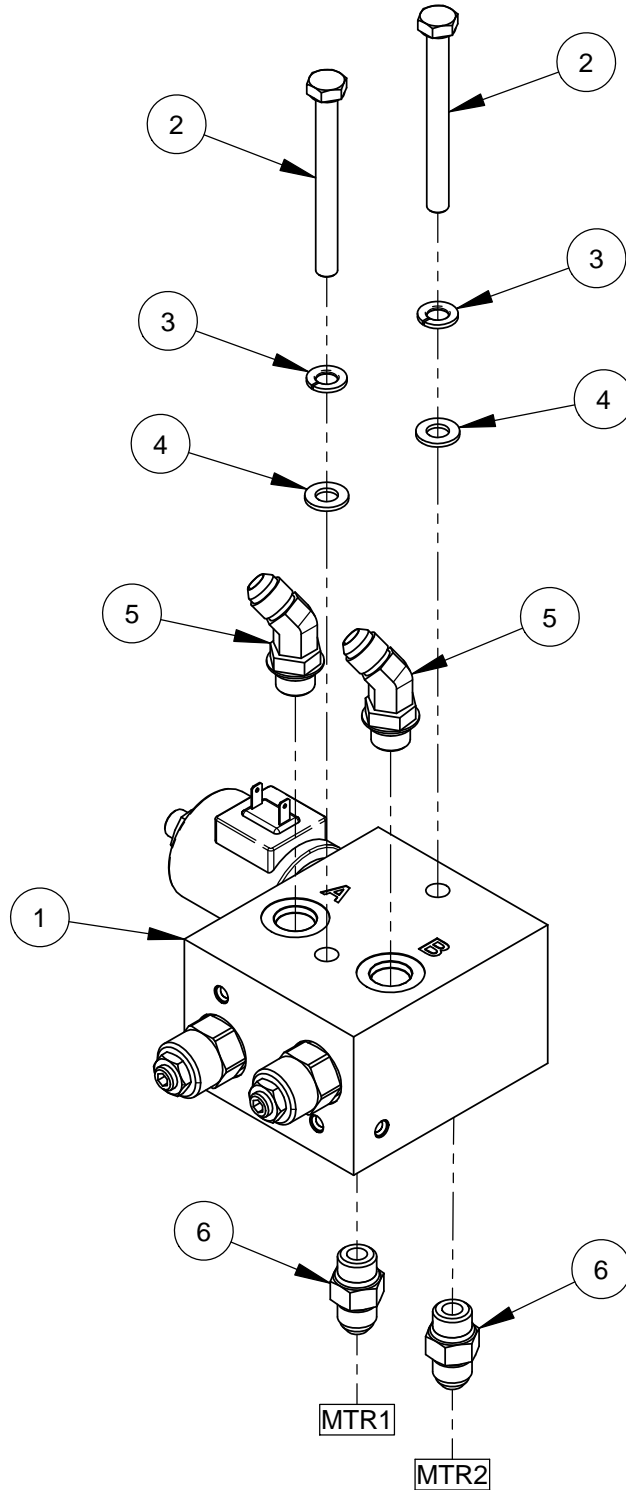
Hub Kit #2503843
(Includes Items #19 - #22)



Rear Axle Assembly #6017414 (SAP# 10993541)

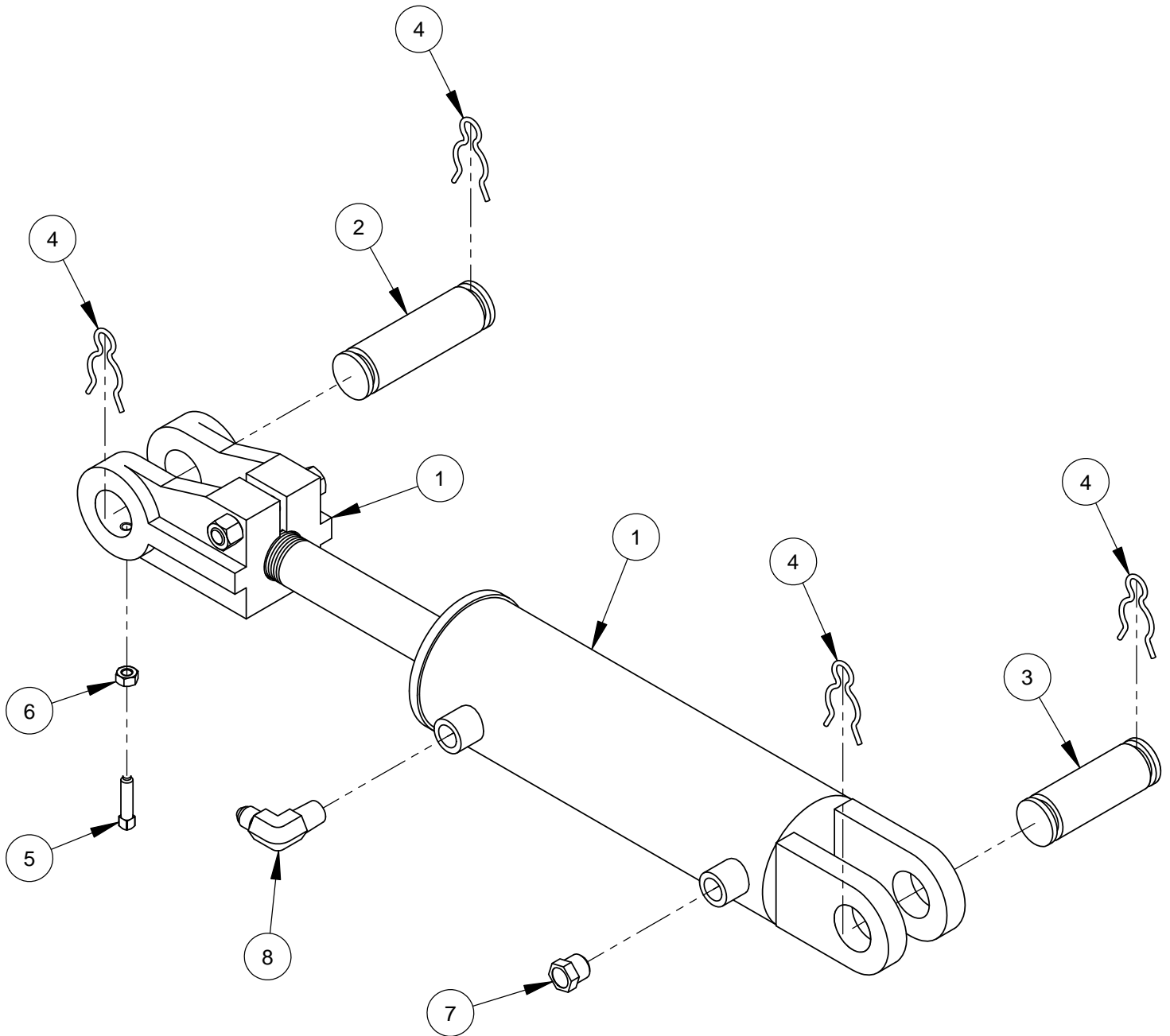
ITEM	PART NO.	SAP NO.	QTY	DESCRIPTION
1	6017383	10993515	1	Motor Mount Tube Weldment
2	2600654	10993241	2	Parker Wheel Motor
	2901327	10993334	1	Woodruff Key #9, 3/16" x 3/4"
	2703207	10993249	1	Hex Slotted Nut, 3/4-16
3	2900359	10993290	8	Cap Screw, Hex Hd., M12-1.75 x 65mm
4	2900699	10989726	8	Lock Washer, M12 Split
5	2901357	10993351	8	Flat Washer, M12
6	2900950	10989766	4	Cotter Pin, 1/8" x 1-1/2"
7	2502175	10989534	2	Wheel Hub
8	2503880	10993211	2	Wheel, 10" Rear
9	2900975	10989769	8	Lug Nut, 1/2-20
10	2502176	10989535	2	Hub Cap
11	6017378	10993510	1	Swivel, M16
12	2900938	10989764	1	Shim .010" Thick
13	2900940	10989765	1	Shim .015" Thick
14	2501224	10989523	1	E-Ring, 1"
15	2901351	10993345	1	Tap Bolt, Hex Hd., M16-2.0 x 160mm
16	2900478	10989712	2	Belleville Washer, 5/8"
17	2900721	10989728	2	Flat Washer, 5/8" USS Hardened
18	2901352	10993346	2	Hex Nut, M16-2.0
19	2503794	10990111	1	Hub with Bearing Cups
	2501222	10989521	2	Tapered Bearing Cup
20	2503766	10993205	2	Tapered Bearing Cone, 1-1/16"
21	2503767	10993206	1	Seal, Double Lip 1-1/2" ID
22	2503795	10989601	1	Grease Cap 2"
23	6017322	10993491	1	Kingpin
24	2707220	10989641	2	Hex Nut, 1"-14 Slotted
25	2900833	10989741	4	Lock Nut, 1/2-20 Flex Top
26	2900058	966308	4	Flat Washer, 1/2" SAE
27	3201724	10989806	4	Adapter, 5/8" O-Ring to 3/8" M. JIC
28	6017020	10989859	1	Hose Assembly, 3/8" x 18-1/4"
29	6017295	10990007	1	Hose Assembly 3/8" x 14"
30	6017296	10990008	1	Hose Assembly 3/8" x 25"

Valve Block Assembly #6017415 (SAP# 10993542)



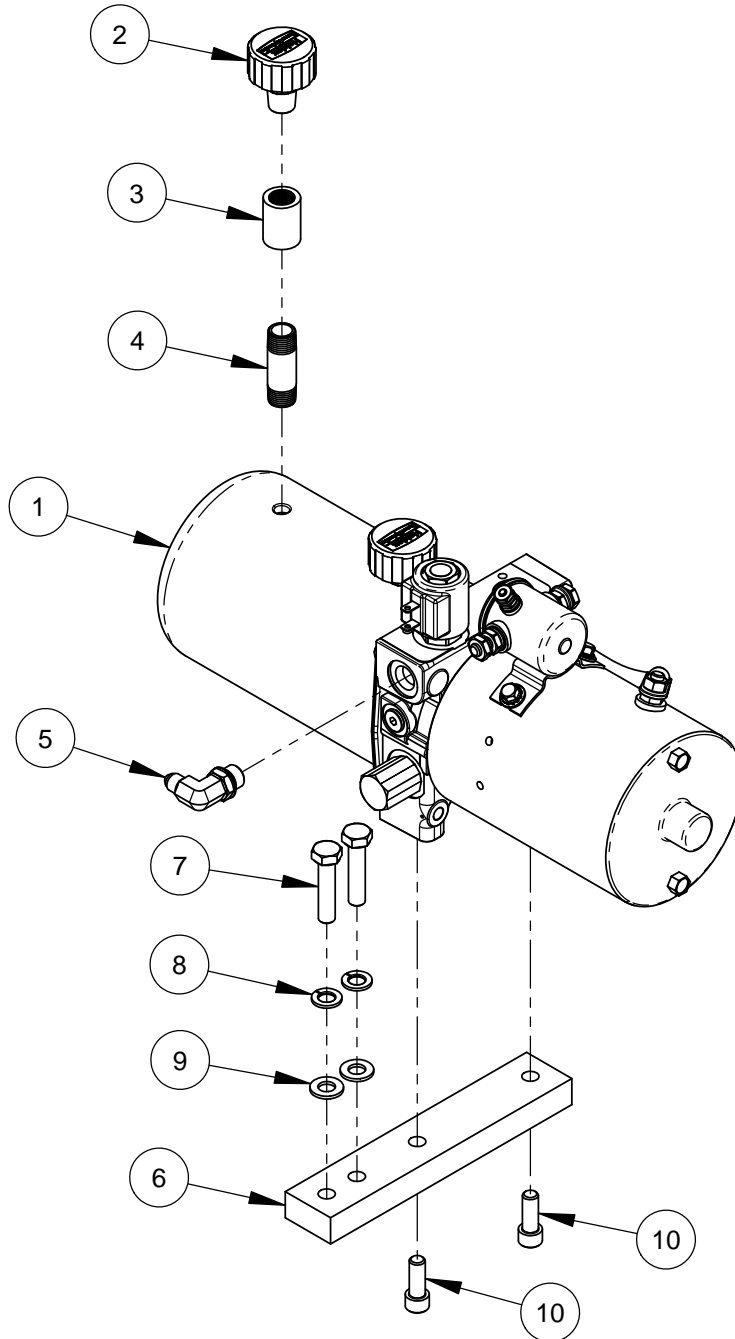
ITEM	PART NO.	SAP NO.	QTY.	DESCRIPTION
1	3201664	10989803	1	Valve Block Unit
2	2901141	10993333	2	Cap Screw, Hex Hd., M8-1.25 x 80mm
3	2900763	10993320	2	Lock Washer, M8 Split
4	2901336	10993335	2	Flat Washer, M8
5	3201981	10989822	2	Elbow, 3/8" O-Ring to 3/8" M. JIC (45 Deg)
6	3200263	10989783	2	Adapter, 3/8" O-Ring to 3/8" M. JIC

Hydraulic Cylinder Assembly #6017103 (SAP# 10989887)



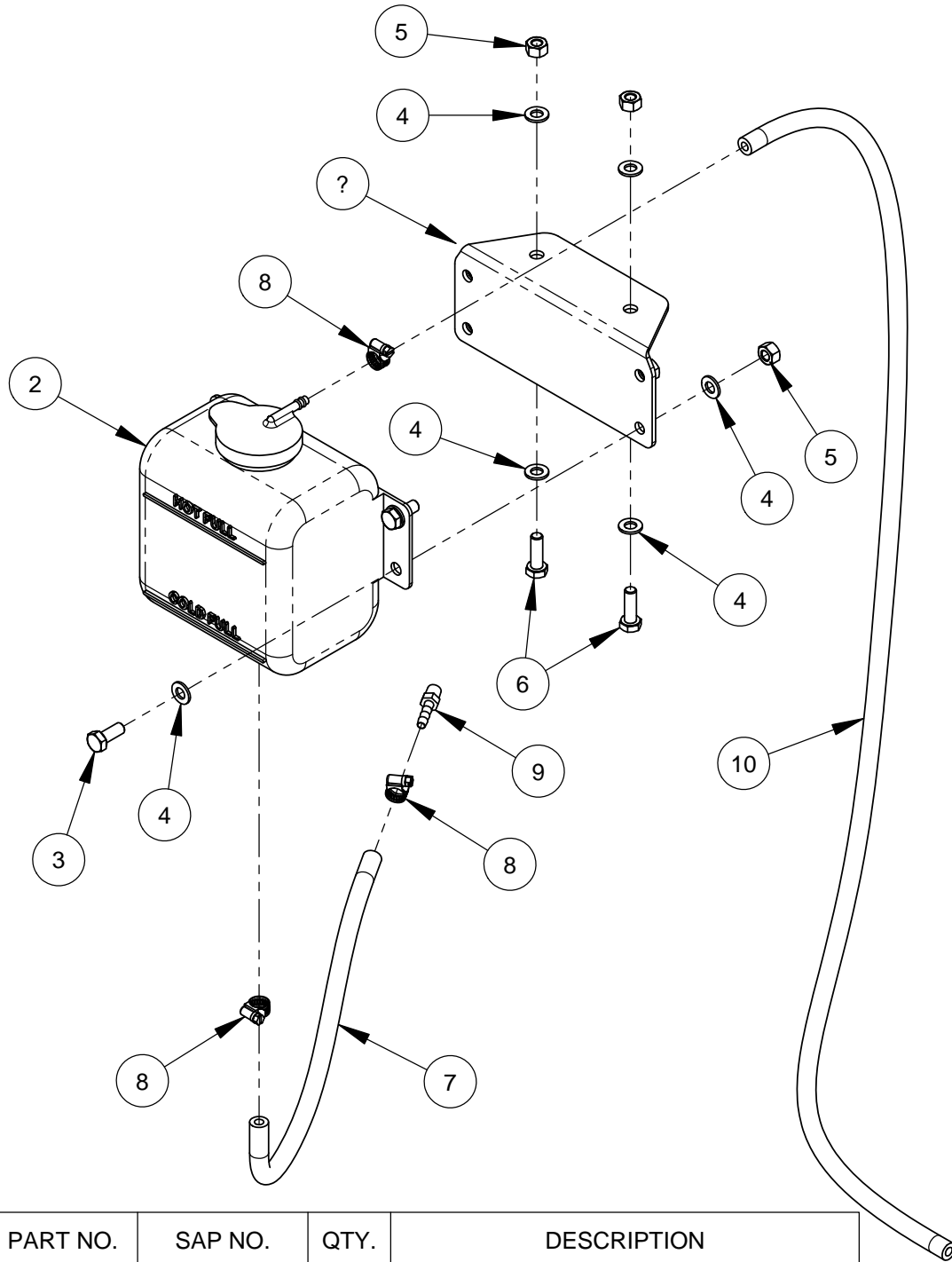
ITEM	PART NO.	SAP NO.	QTY	DESCRIPTION
1	6017457	10993576	1	Hydraulic Cylinder (Drilled)
	6017458	10993577	1	Cylinder Rod Clevis (Drilled)
	2501012	10986375	1	Seal Repair Kit
2	6017459	10993578	1	Cylinder Pin (Drilled)
3	6010031	966491	1	Cylinder Pin, 1" Dia. x 3" Long
4	2900064	966314	4	Hair Pin Cotter, 3/4"
5	2901382	10993367	1	Set Screw, Sq. Hd., M6-1.0 x 25mm
6	2900305	10993289	1	Hex Nut, M6-1.0
7	3200067	977427	1	Breather Vent, 1/4" NPT
8	3200057	966435	1	Elbow, 1/4" M. Pipe to 1/4" M. JIC

Hydraulic Lift Pump Assembly #6017416 (SAP# 10993543)



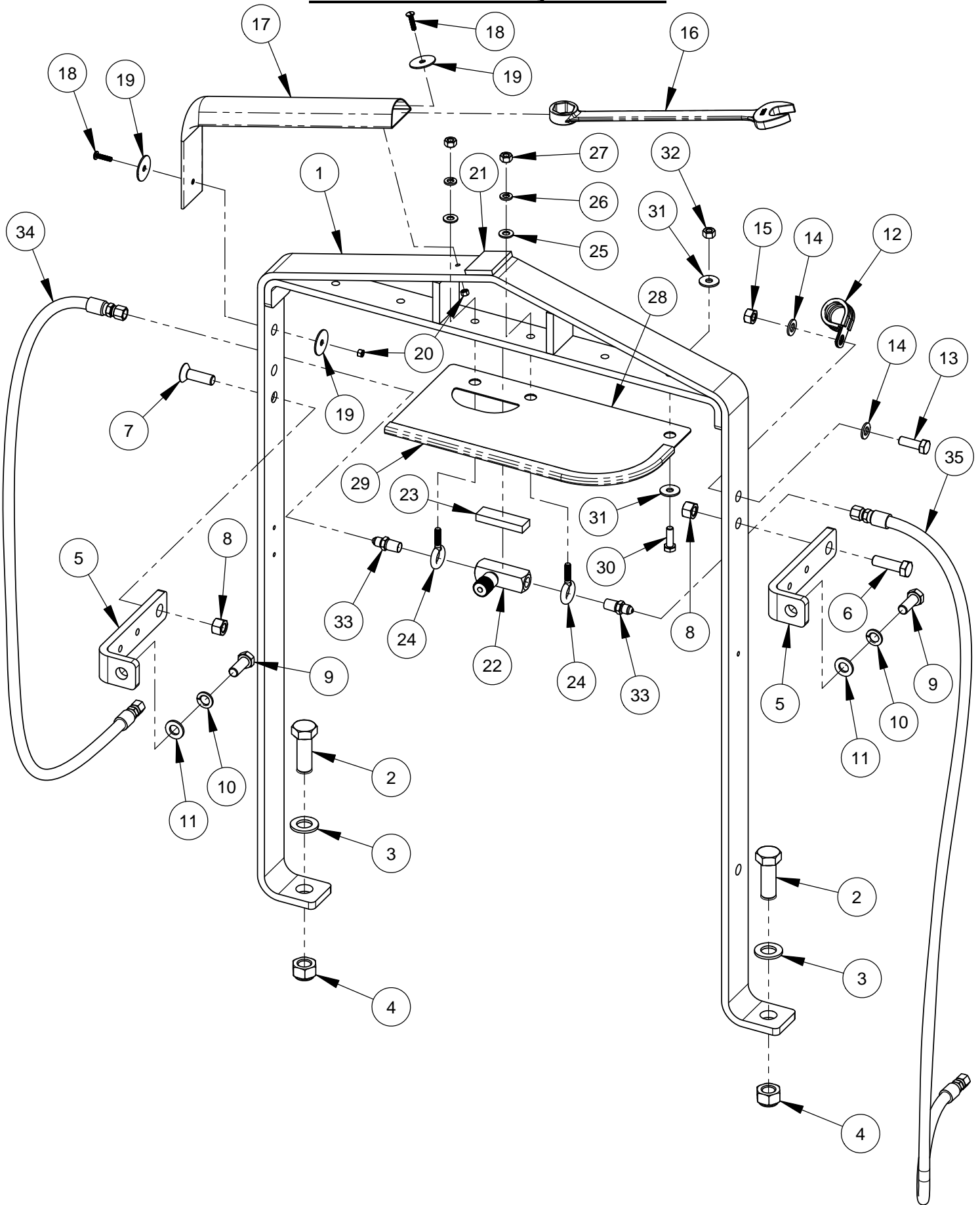
ITEM	PART NO.	SAP NO.	QTY.	DESCRIPTION
1	2600437	10985290	1	Hydraulic Pump Unit
2	2700321	966236	1	Breather Cap
3	3200120	966449	1	Pipe Coupling, 3/8" NPT
4	3200123	966450	1	Pipe Nipple, 3/8" NPT x 2"
5	3200551	10989791	1	Elbow, 3/8" O-Ring to 1/4" M. JIC
6	6017138	10989909	1	Pump Mount Spacer
7	2900317	966387	2	Cap Screw, Hex Hd., M10-1.5 x 45mm
8	2900321	966391	2	Lock Washer, M10 Split
9	2901356	10993350	2	Flat Washer, M10
10	2900175	10984662	2	Cap Screw, Soc. Hd., 3/8-16 x 1"

Coolant Tank Assembly #6017417 (SAP# 10993544)



ITEM	PART NO.	SAP NO.	QTY.	DESCRIPTION
1	6017141	10989912	1	Coolant Tank Bracket
2	2503716	10989565	1	Coolant Recovery Tank & Cap
3	2900329	966398	4	Cap Screw, Hex Hd., M8-1.25 x 20mm
4	2901336	10993335	12	Flat Washer, M8
5	2900303	966374	6	Lock Nut, M8-1.25 Nylon Insert
6	2900360	10993291	2	Cap Screw, Hex Hd., M8-1.25 x 25mm
7	6017279	10989994	1	Hose, 1/4" I.D. x 14"
8	3200062	966437	3	Hose Clamp #4
9	3200018	10989774	1	Fitting, 1/8" M. Pipe to 1/4" Hose Barb
10	6017280	10989995	1	Hose, 1/4" I.D. x 40"

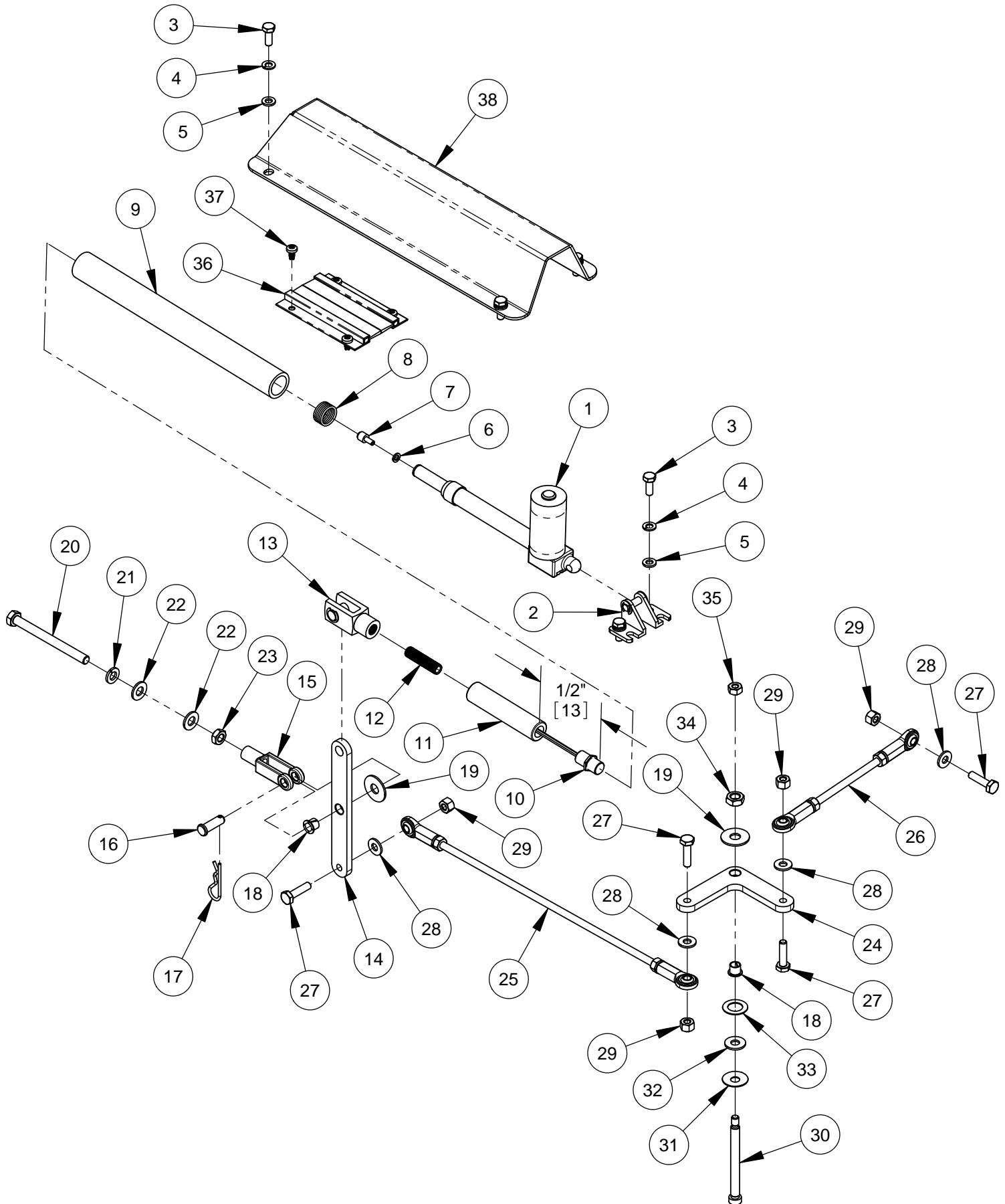
Frame Lift Assembly #6017418



Frame Lift Assembly #6017418 (SAP# 10993545)

ITEM	PART NO.	SAP NO.	QTY	DESCRIPTION
1	6017135	10989906	1	Frame Lift
2	2901361	10993354	2	Cap Screw, Hex Hd., M18-2.5 x 50mm
3	2901362	10993355	2	Flat Washer, M18
4	2901363	10993356	2	Lock Nut, M18-2.5 Nylon Insert
5	6017136	10989907	2	Frame Lift Brace
6	2900331	966400	1	Cap Screw, Hex Hd., M12-1.75 x 40mm
7	2901354	10993348	1	Cap Screw, Flat Hd., M12-1.75 x 40mm
8	2900327	966396	2	Lock Nut, M12-1.75 Nylon Insert
9	2900330	966399	2	Cap Screw, Hex Hd., M12-1.75 x 30mm
10	2900699	10989726	2	Lock Washer, M12 Split
11	2901357	10993351	2	Flat Washer, M12
12	3201729	10989809	1	Hose Clamp, 1" x 3/4" Wide
13	2900223	966356	1	Cap Screw, Hex Hd., M10-1.5 x 30mm
14	2901356	10993350	2	Flat Washer, M10
15	2900304	966375	1	Lock Nut, M10-1.5 Nylon Insert
16	2503704	10989558	1	Wrench, 15/16" Combination
17	6017439	10993562	1	Wrench Sock
18	2901377	10993365	2	Machine Screw, Nylon, M5-0.8 x 20mm
19	2900083	10987846	3	Fender Washer, 1/4" x 1-1/4"
20	2900301	966372	2	Lock Nut, M5-0.8 Nylon Insert
21	6017447	10993568	1	Wrench Pad 1-1/2"
22	3200056	966434	1	Flow Control Valve, 1/4" NPT
23	6017142	10989913	1	Valve Spacer Block
24	2900720	10989727	2	Eyebolt, 5/16-18 x 1"
25	2900022	966283	2	Flat Washer, 5/16" SAE
26	2900031	966288	2	Lock Washer, 5/16" Split
27	2900141	966335	2	Hex Nut, 5/16-18
28	6017394	10993522	1	Hose Shield
29	6040236	10990073	1	Edge Trim 16"
30	2900360	10993291	1	Cap Screw, Hex Hd., M8-1.25 x 25mm
31	2900383	10993293	2	Fender Washer, M8
32	2900303	966374	1	Lock Nut, M8-1.25 Nylon Insert
33	3200418	10989788	2	Adapter, 1/4" M. Pipe to 1/4" M. JIC
34	6017286	10990115	1	Hose Assembly 1/4" x 42"
35	6017287	10990001	1	Hose Assembly 1/4" x 54"

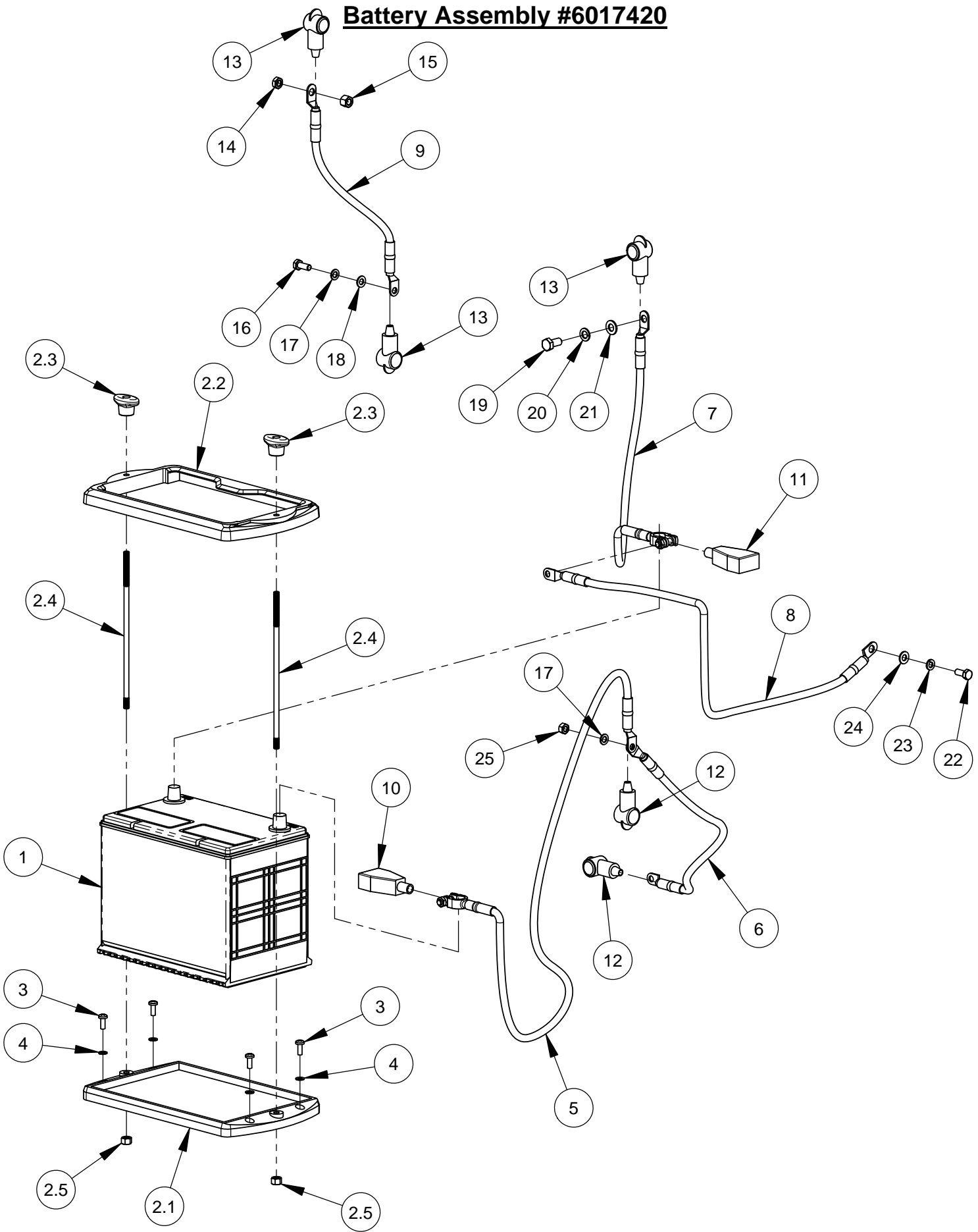
Depth Stop Assembly #6017419A



Depth Stop Assembly #6017419A (SAP# 10993546)

ITEM	PART NO.	SAP NO.	QTY	DESCRIPTION
1	2503726	10989570	1	Actuator
2	2503727	10989571	1	Pivot Bracket with Pin
3	2900341	10990112	6	Cap Screw, Hex Hd., M6-1.0 x 16mm
4	2900765	10993321	6	Lock Washer, M6 Split
5	2901494	10993370	6	Flat Washer, M6
6	2900038	966295	1	Lock Washer, #10 Split
7	2800638	10989662	1	Actuator Magnet
8	2503729	10989573	6	O-Ring #016
9	6017116	10989891	1	Guide Tube
10	2800637	10989661	1	Magnetic Proximity Sensor
11	6017117	10989892	1	Slide Shaft
12	6017118	10989893	1	Hollow Stud, 3/8-24 x 1-1/2"
13	2503728	10989572	1	Clevis, 3/8-24 Nylon
14	6017119	10989894	1	Linkage Arm
15	2900878	10989749	1	Yoke, 5/16-24
16	2900879	10989750	1	Clevis Pin, 5/16" Dia. x 15/16"
17	2900262	10989694	1	Hairpin Cotter
18	2503730	10989574	2	Flanged Bearing, 5/16" ID
19	2900153	966343	2	Friction Washer, 3/8"
20	2900880	10989751	1	Cap Screw, Hex Hd., 5/16-24 x 3-1/2"
21	2900031	966288	1	Lock Washer, 5/16" Split
22	2900022	966283	2	Flat Washer, 5/16" SAE
23	2900049	966302	1	Jam Nut, 5/16-24
24	6017120	10989895	1	Bell Crank
25	6017198	10989963	1	Linkage Assembly 13-3/4" Eye to Eye
26	6017199	10989964	1	Linkage Assembly 6-1/2" Eye to Eye
27	2900008	966269	4	Cap Screw, Hex Hd., 1/4-20 x 1"
28	2900009	966270	4	Flat Washer, 1/4" SAE
29	2900010	966271	4	Lock Nut, 1/4-20 Nylon
30	2900902	10989760	1	Shoulder Screw, 5/16" x 3" (1/4-20)
31	2900252	10989690	1	Belleville Washer, 5/16"
32	2900126	10989679	1	Flat Washer, 1/4" USS
33	2900890	10989755	1	Friction Washer, 1/2" Nylatron
34	2900782	10989732	1	Jam Nut, 3/8-16
35	2900125	10989678	1	Hex Nut, 1/4-20
36	6017122	10989896	2	Strip Brush
37	2900021	966282	4	Tap Screw, Pan Hd., #10-24 x 3/8"
38	6017232	10989969	1	Actuator Cover

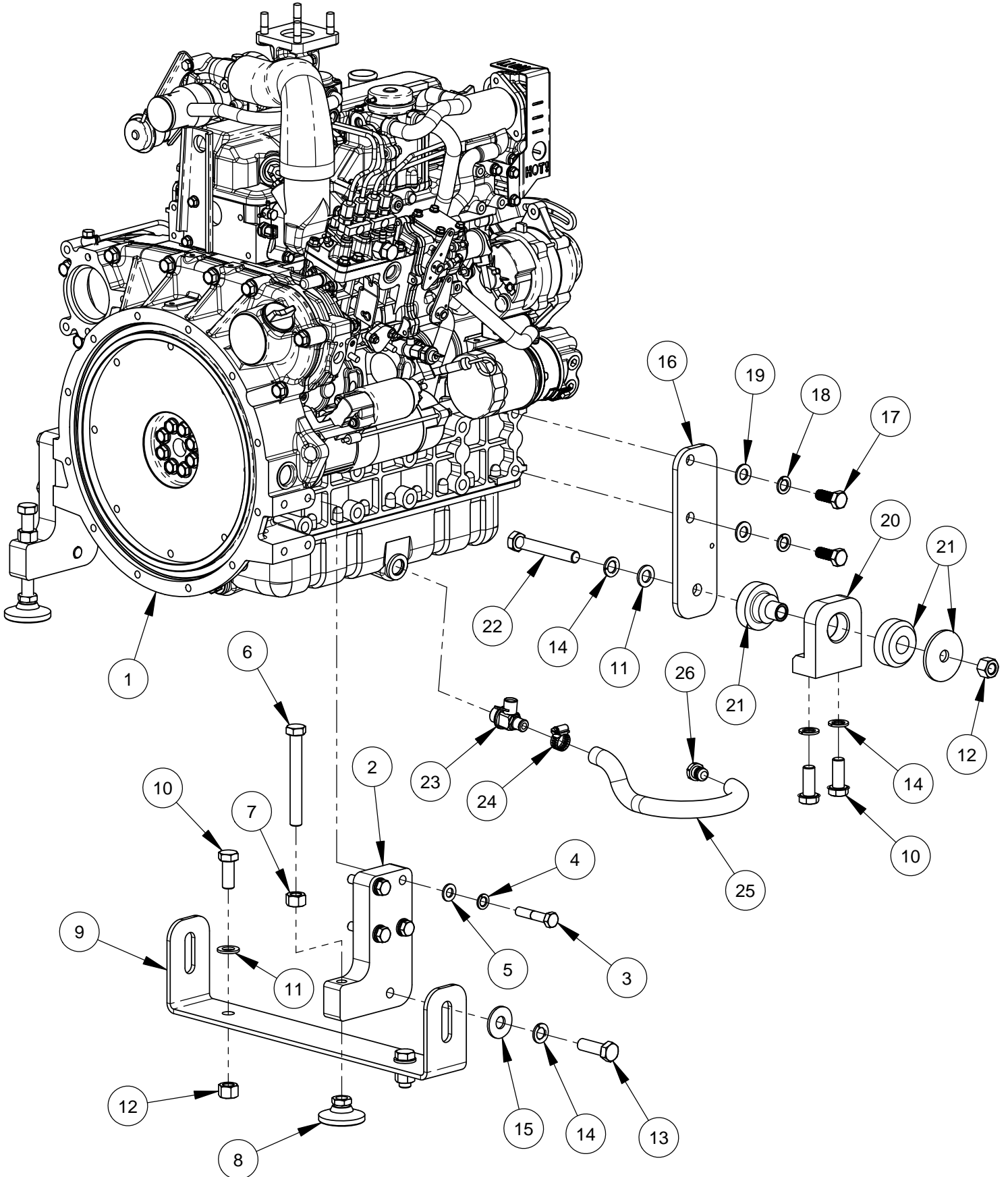
Battery Assembly #6017420



Battery Assembly #6017420 (SAP# 10993547)

ITEM	PART NO.	SAP NO.	QTY	DESCRIPTION
1	2800465	10985246	1	Battery, 12 Volt Group Size 24
2	2503890	10993219	1	Battery Hold-Down Tray
2.1	2503890A	10993220	1	Battery Tray Base
2.2	2503890B	10993221	1	Battery Tray Top
2.3	2503890C	10993222	2	Ratchet Knob 5/16-18
2.4	2503890D	10993223	2	Tie Rod, 5/16-18
2.5	2900039	966296	2	Lock Nut, 5/16-18 Nylon
3	2901368	10993360	4	Machine Screw, Pan Hd., M6-1.0 x 16mm
4	2900765	10993321	4	Lock Washer, M6 Split
5	2800082	10989643	1	Battery Cable, 48" Positive (Red)
6	2800095	966255	1	Solenoid Cable, 14" Positive (Red)
7	2800072	966253	1	Battery Cable, 30" Negative (Black)
8	2800854	10989668	1	Ground Cable, 42" Negative (Black)
9	2800182	966258	1	Ground Cable, 14" Negative (Black)
10	2800256	10989644	1	Battery Boot, Large (Red)
11	2800257	10989645	1	Battery Boot, Large (Black)
12	2800197	966259	2	Battery Boot, Small (Red)
13	2800198	966260	3	Battery Boot, Small (Black)
14	2900782	10989732	1	Jam Nut, 3/8-16
15	2900018	966279	1	Lock Nut, 3/8-16 Nylon
16	2900329	966398	1	Cap Screw, Hex Hd., M8-1.25 x 20mm
17	2900763	10993320	2	Lock Washer, M8 Split
18	2901336	10993335	1	Flat Washer, M8
19	2901021	10989771	1	Cap Screw, Hex Hd., M10-1.25 x 20mm
20	2900321	966391	1	Lock Washer, M10 Split
21	2901356	10993350	1	Flat Washer, M10
22	2900019	966280	1	Cap Screw, Hex Hd., 5/16-18 x 3/4"
23	2900031	966288	1	Lock Washer, 5/16" Split
24	2900022	966283	1	Flat Washer, 5/16" SAE
25	2900343	10989701	1	Hex Nut, M8-1.25

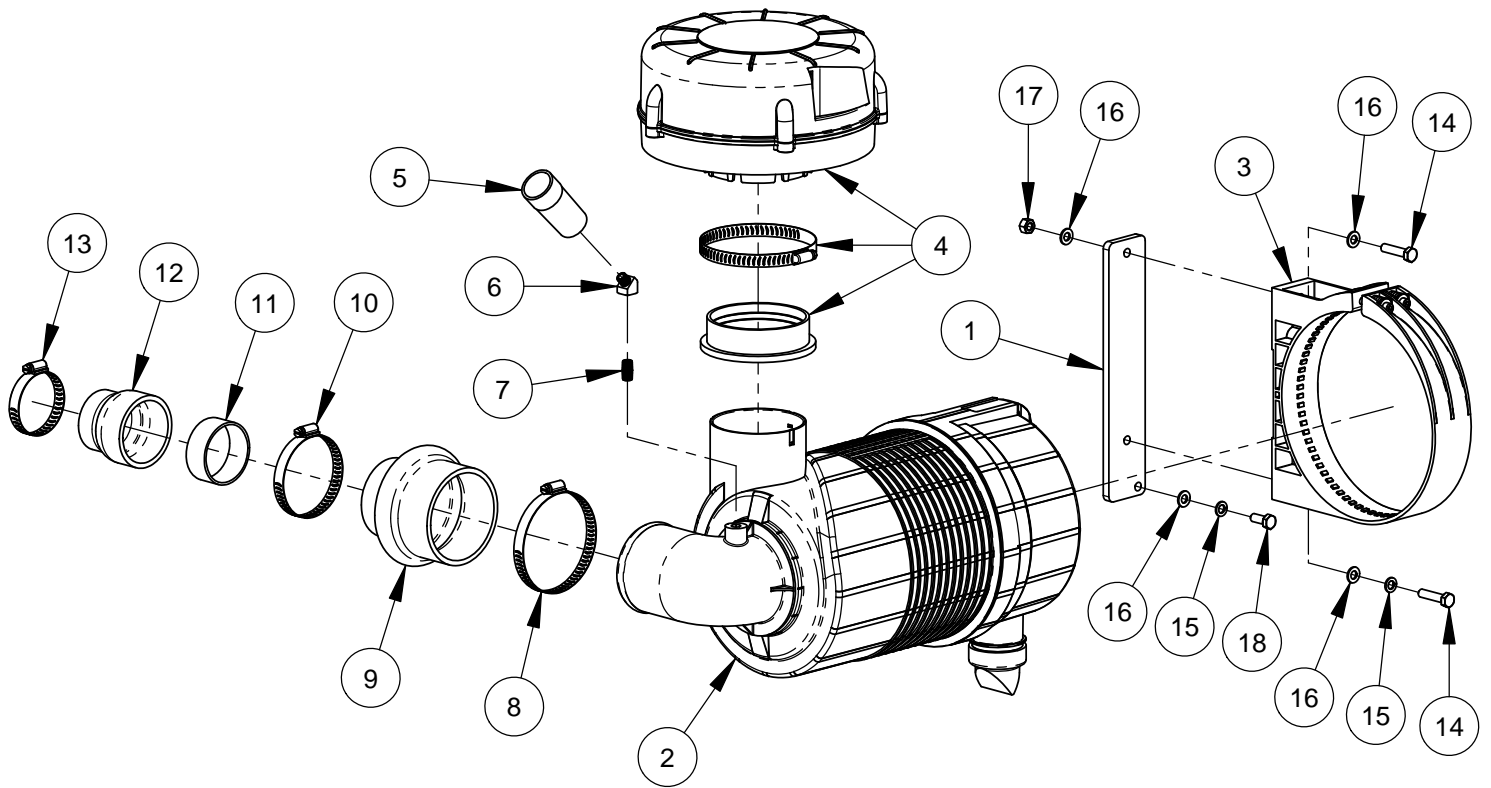
Engine Assembly #6017421



Engine Assembly #6017421 (SAP# 10993548)

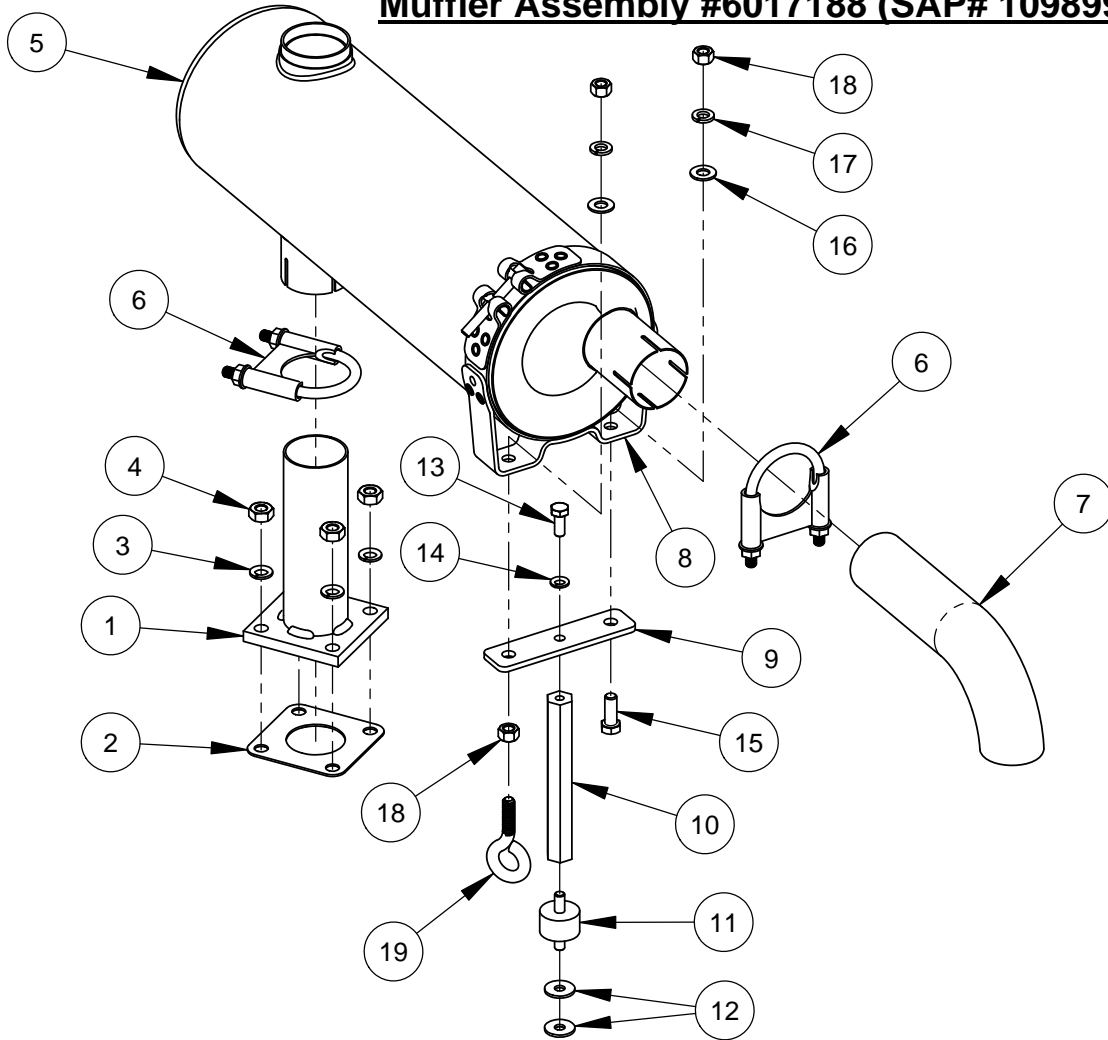
ITEM	PART NO.	SAP NO.	QTY	DESCRIPTION
1	2600546	10989622	1	Engine, Kubota Model V3307
2	6017380	10993512	2	Engine Foot
3	2900886	10989754	8	Cap Screw, Hex Hd., M12-1.25 x 60mm
4	2900699	10989726	8	Lock Washer, M12 Split
5	2901357	10993351	8	Flat Washer, M12
6	2901350	10993344	2	Tap Bolt, Hex Hd., M16-2.0 x 130mm
7	2901352	10993346	2	Hex Nut, M16-2.0
8	2901353	10993347	2	Swivel Pad, M16-2.0
9	6017156	10989923	1	Engine Cradle
10	2900731	10993316	6	Cap Screw, Hex Hd., M16-2.0 x 40mm
11	2901358	10993352	4	Flat Washer, M16
12	2900670	10993313	4	Lock Nut, M16-2.0 Nylon Insert
13	2901367	10993359	2	Cap Screw, Hex Hd., M16-2.0 x 50mm
14	2900716	10993315	8	Lock Washer, M16 Split
15	2900721	10989728	2	Flat Washer, 5/8" USS Hardened
16	6017154	10989922	2	Engine Leg
17	2900874	10989747	4	Cap Screw, Hex Hd., M14-1.5 x 35mm
18	2900875	10989748	4	Lock Washer, M14 Split
19	2900326	966395	4	Flat Washer, M14
20	6017381	10993513	2	Engine Pivot Block
21	2503788	10989596	2	Vibration Isolator
22	2901349	10993343	2	Cap Screw, Hex Hd., M16-2.0 x 110mm
23	3200813	10989794	1	Oil Drain Valve, M22x1.5
24	3200016	966420	1	Hose Clamp #8
25	6017021	10989860	1	Oil Drain Hose, 5/8" I.D. x 12"
26	3201728	10989808	1	Hose Plug

Air Intake Assembly #6017422 (SAP# 10993549)



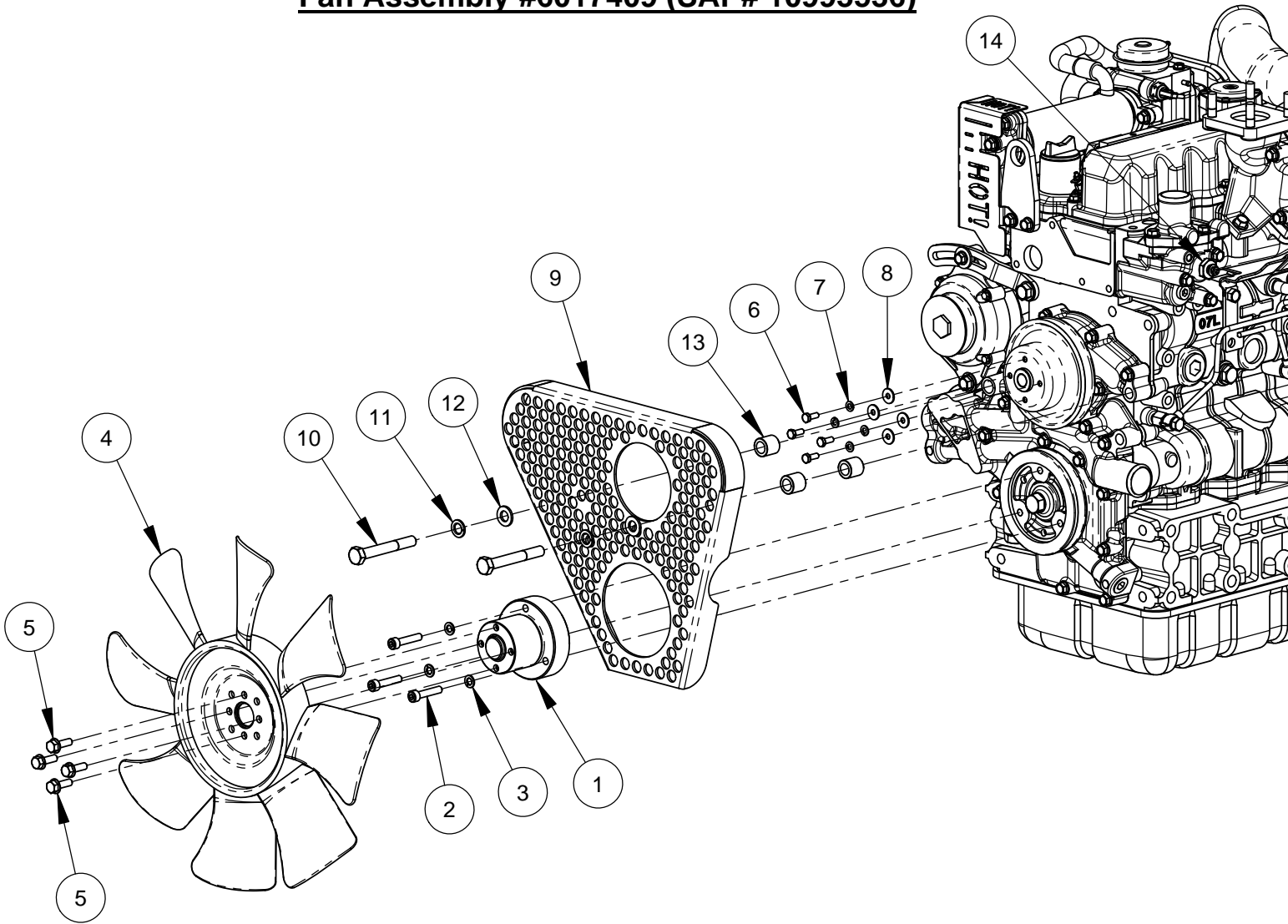
ITEM	PART NO.	SAP NO.	QTY	DESCRIPTION
1	6017387	10993519	1	Air Filter Mount Plate
2	2502182	10989538	1	Air Cleaner Complete
	2501352	10985980	1	Outer Primary Filter
	2501353	10985981	1	Inner Safety Filter
	2500239	10986889	1	Rubber Dust Ejector Boot
3	2501351	10988639	1	Mounting Band, Polymer
4	2501504	10989530	1	Pre-Cleaner w/Clamp & Adapter Ring
5	2500423	966179	1	Restriction Indicator
6	3200099	10989777	1	Street Elbow, 1/8" NPT x 45 Deg.
7	3200117	10989779	1	Close Nipple, 1/8" NPT
8	3200198	966464	1	Hose Clamp #64
9	2503722	10989567	1	Hose Reducer, 3-1/2" to 2-3/4" I.D.
10	3200197	966463	1	Hose Clamp #52
11	6017145	10989915	1	Connector Tube, 2-1/2" O.D.
12	2500229	10989512	1	Hose Reducer, 2-1/2" to 2" I.D.
13	3200095	10989776	1	Hose Clamp #32
14	2900760	10989731	2	Cap Screw, Hex Hd., M8-1.25 x 35mm
15	2900763	10993320	2	Lock Washer, M8 Split
16	2901336	10993335	4	Flat Washer, M8
17	2900303	966374	1	Lock Nut, M8-1.25 Nylon Insert
18	2900329	966398	1	Cap Screw, Hex Hd., M8-1.25 x 20mm

Muffler Assembly #6017188 (SAP# 10989949)



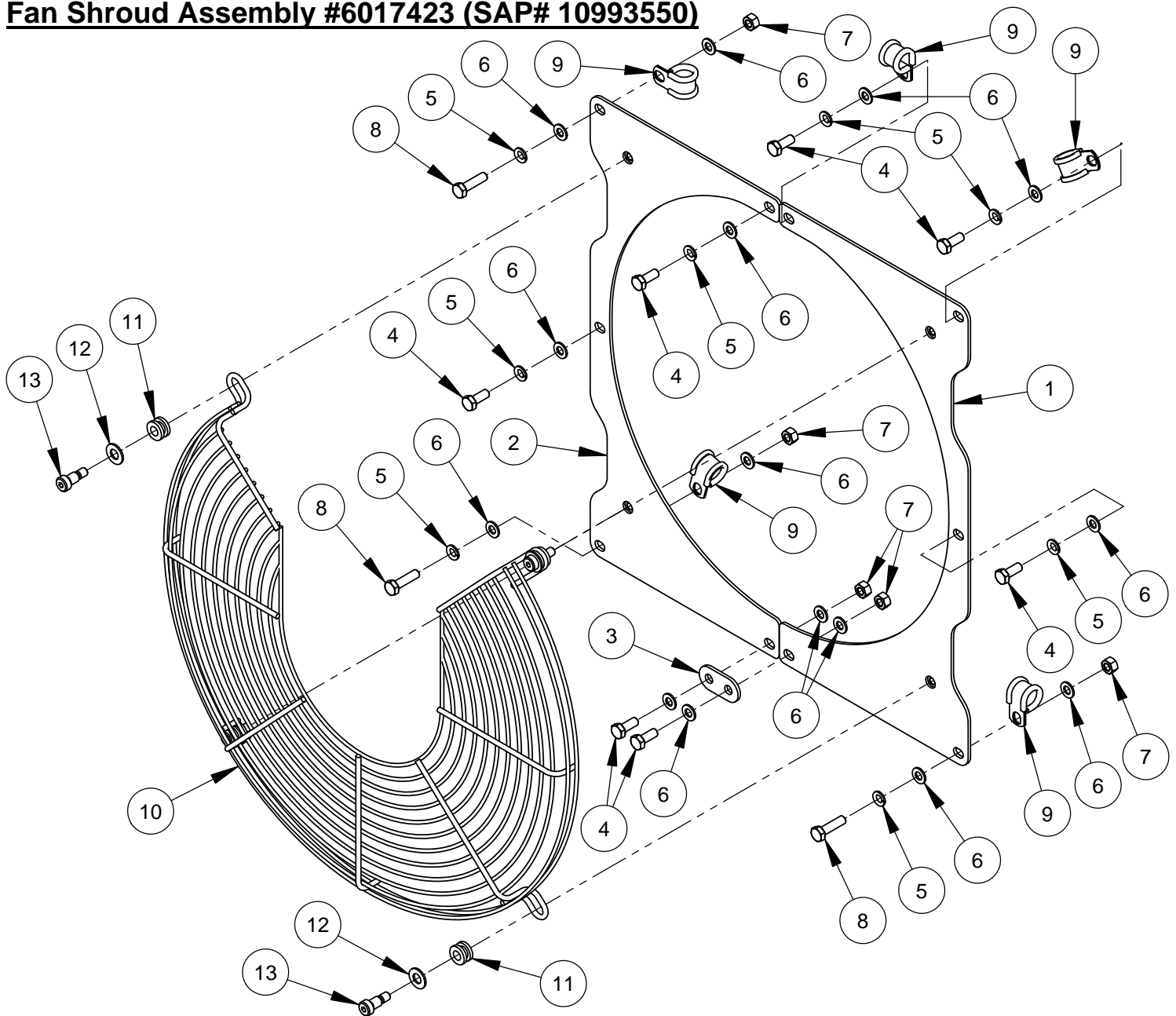
ITEM	PART NO.	SAP NO.	QTY	DESCRIPTION
1	2503738	10989579	1	Exhaust Flange & Pipe
2	2503739	10989580	1	Exhaust Flange Gasket
3	2900321	966391	4	Lock Washer, M10 Split
4	2907002	10989773	4	Hex Nut, M10-1.25
5	2503776	10989590	1	Muffler
6	2700748	966241	2	Muffler Clamp 2"
7	2503737	10989578	1	Tail Pipe, 2" O.D. x 9"
8	2503777	10989591	1	Muffler Body Band Clamp
9	6017281	10989996	1	Muffler Support Bar
10	6017282	10989997	1	Muffler Support Post
11	2503787	10989595	1	Vibration Isolator M8
12	2900383	10993293	2	Fender Washer, M8
13	2900329	966398	1	Cap Screw, Hex Hd., M8-1.25 x 20mm
14	2900763	10993320	1	Lock Washer, M8 Split
15	2900005	966266	1	Cap Screw, Hex Hd., 3/8-16 x 1"
16	2900014	966275	2	Flat Washer, 3/8" SAE
17	2900006	966267	2	Lock Washer, 3/8" Split
18	2900033	966290	3	Hex Nut, 3/8-16
19	2900892	10989757	1	Eyebolt, 3/8-16 x 1-1/2"

Fan Assembly #6017409 (SAP# 10993536)



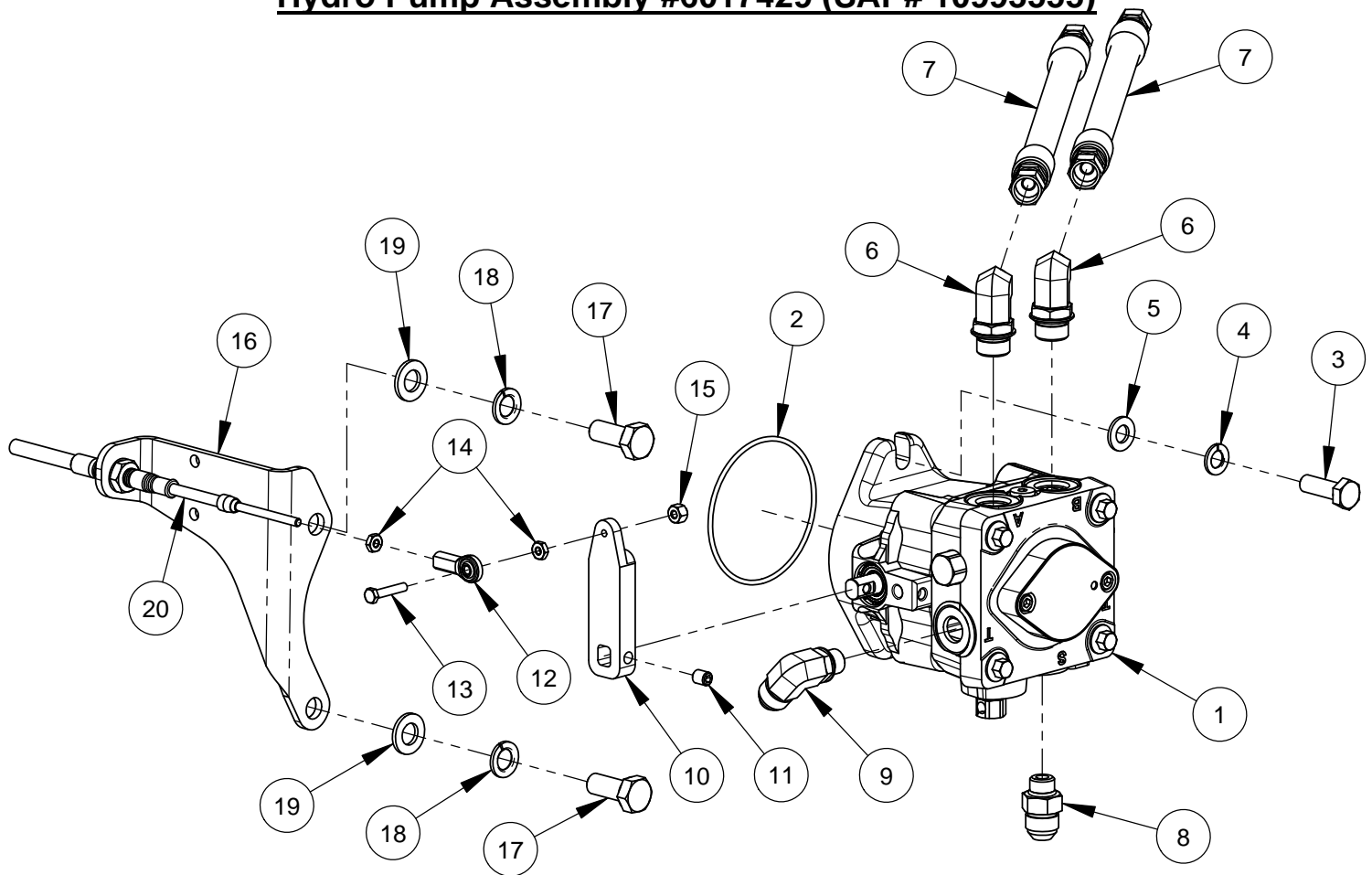
ITEM	PART NO.	SAP NO.	QTY	DESCRIPTION
1	6017398	10993526	1	Fan Hub Adapter
2	2900398	10989704	3	Cap Screw, Soc. Hd., M8-1.25 x 40mm
3	2900763	10993320	3	Lock Washer, M8 Split
4	6017470	#N/A	1	Cooling Fan, 17"
5	2901560	#N/A	4	Cap Screw, Hex Flange, M8-1.25 x 25mm
6	2900341	10993321	4	Cap Screw, Hex Hd., M6-1.0 x 16mm
7	2900765	10993353	4	Lock Washer, M6 Split
8	2901359	10990112	4	Fender Washer, M6
9	6017133	10989904	1	Belt Guard
10	2900881	10989752	2	Cap Screw, Hex Hd., M12-1.25 x 90mm
11	2900699	10989726	2	Lock Washer, M12 Split
12	2901357	10993351	2	Flat Washer, M12
13	6017134	10989905	3	Spacer, 21mm long
14	2800624	10989659	1	Water Temperature Sender

Fan Shroud Assembly #6017423 (SAP# 10993550)



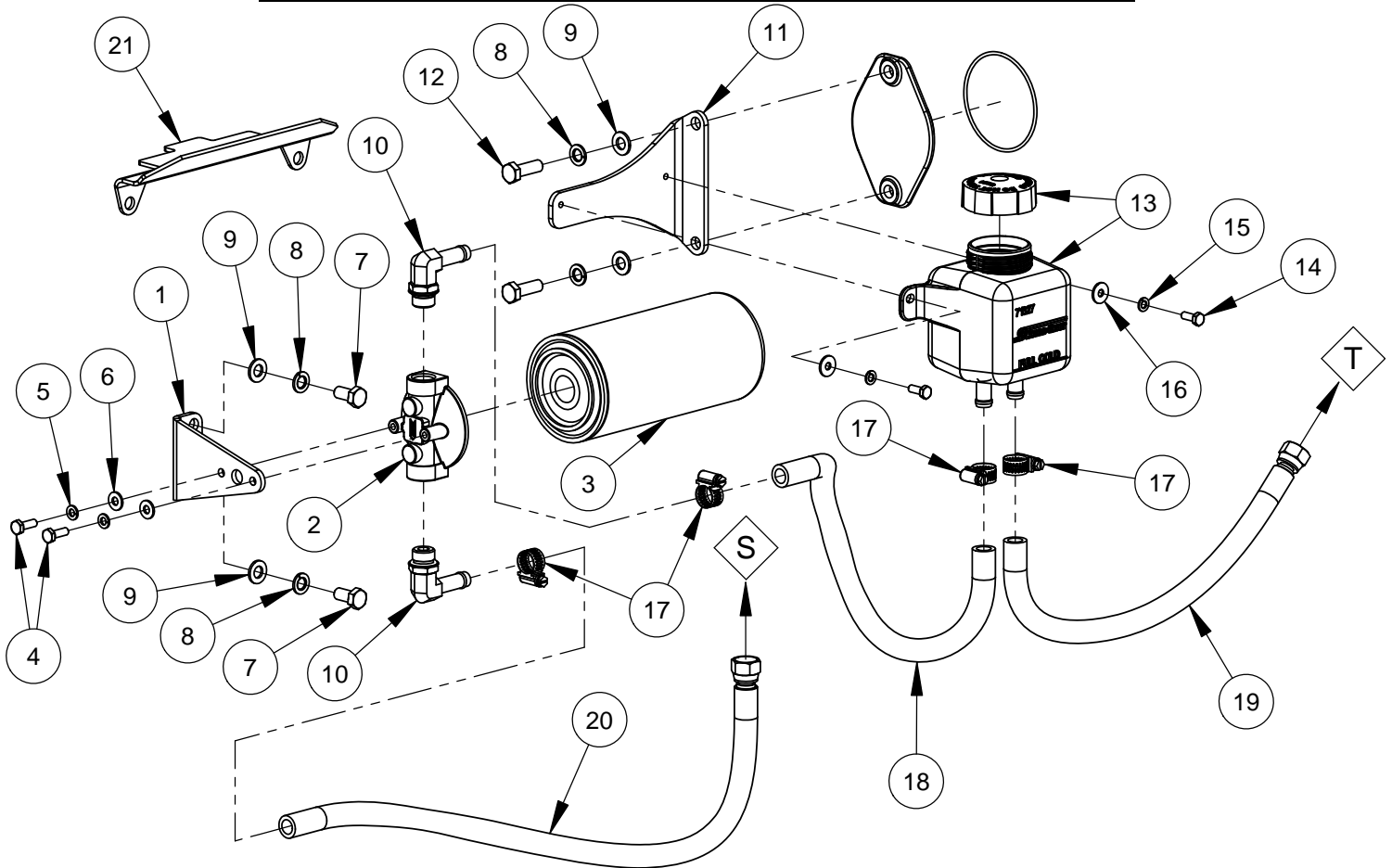
ITEM	PART NO.	SAP NO.	QTY.	DESCRIPTION
1	6017037A	10989871	1	Fan Shroud (Left)
2	6017037B	10989872	1	Fan Shroud (Right)
3	6017038	10989873	1	Link
4	2900329	966398	7	Cap Screw, Hex Hd., M8-1.25 x 20mm
5	2900763	10993320	8	Lock Washer, M8 Split
6	2901336	10993335	15	Flat Washer, M8
7	2900303	966374	5	Lock Nut, M8-1.25 Nylon Insert
8	2900313	966383	3	Cap Screw, Hex Hd., M8-1.25 x 30mm
9	2801151	10989671	5	Hose Clamp, 3/4" x 3/4" Wide
10	2503705	10989559	1	Fan Guard
11	2503711	10989563	4	Grommet, 3/8" I.D.
12	2900014	966275	4	Flat Washer, 3/8" SAE
13	2900672	10989722	4	Shoulder Screw, 3/8" x 1/2" (5/16-18)

Hydro Pump Assembly #6017429 (SAP# 10993555)



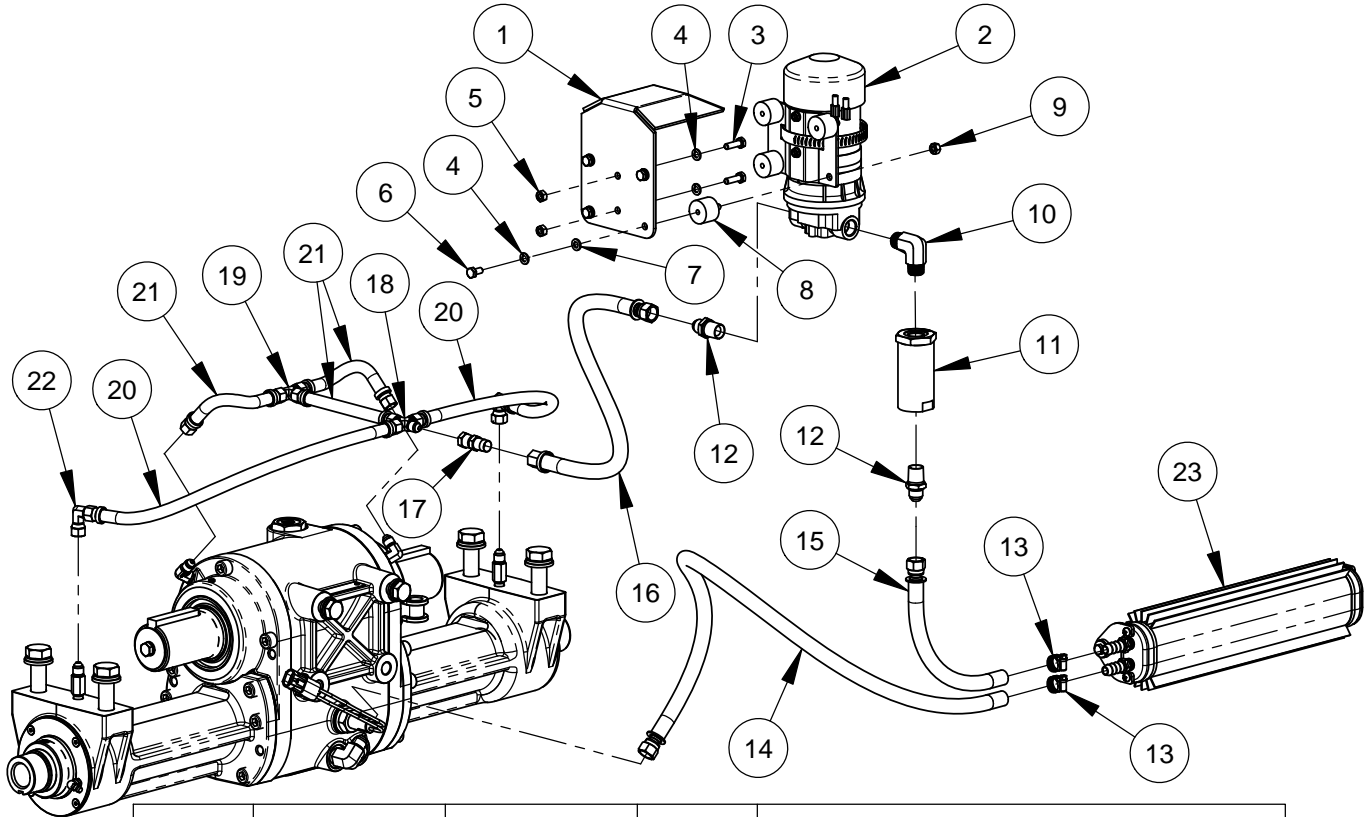
ITEM	PART NO.	SAP NO.	QTY.	DESCRIPTION
1	2600550	10989623	1	Hydro Pump
2	2503897	10993224	1	O-Ring, AS568A-152 Viton
3	2900870	10989746	2	Cap Screw, Hex Hd., M10-1.25 x 30mm
4	2900321	966391	2	Lock Washer, M10 Split
5	2901356	10993350	2	Flat Washer, M10
6	3201725	10989807	2	Elbow, 1/2" O-Ring to 3/8" M. JIC
7	6017294	10990006	2	Hose Assembly 3/8" x 46"
8	3200266	10989784	1	Adapter, 3/8" O-Ring to 1/2" M. JIC
9	3202086	10993391	1	Elbow, 3/8" O-Ring to 1/2" M. JIC
10	6017137	10989908	1	Control Arm
11	2900429	10989706	1	Set Screw, Soc. Hd., 5/16-24 x 1/2"
12	2500791	965296	1	Rod End, #10-32 Female
13	2900687	10989723	1	Machine Screw, Hex Hd., #10-32 x 1"
14	2900188	965295	2	Hex Nut, #10-32
15	2900688	10989724	1	Lock Nut, #10-32 Nylon
16	6017217	10989966	1	Control Cable Bracket
17	2900746	10989730	2	Cap Screw, Hex Hd., M12-1.25 x 30mm
18	2900699	10989726	2	Lock Washer, M12 Split
19	2901357	10993351	2	Flat Washer, M12
20	2503781	10989592	1	Control Cable 41"

Reservoir Tank Assembly #6017424 (SAP# 10993551)



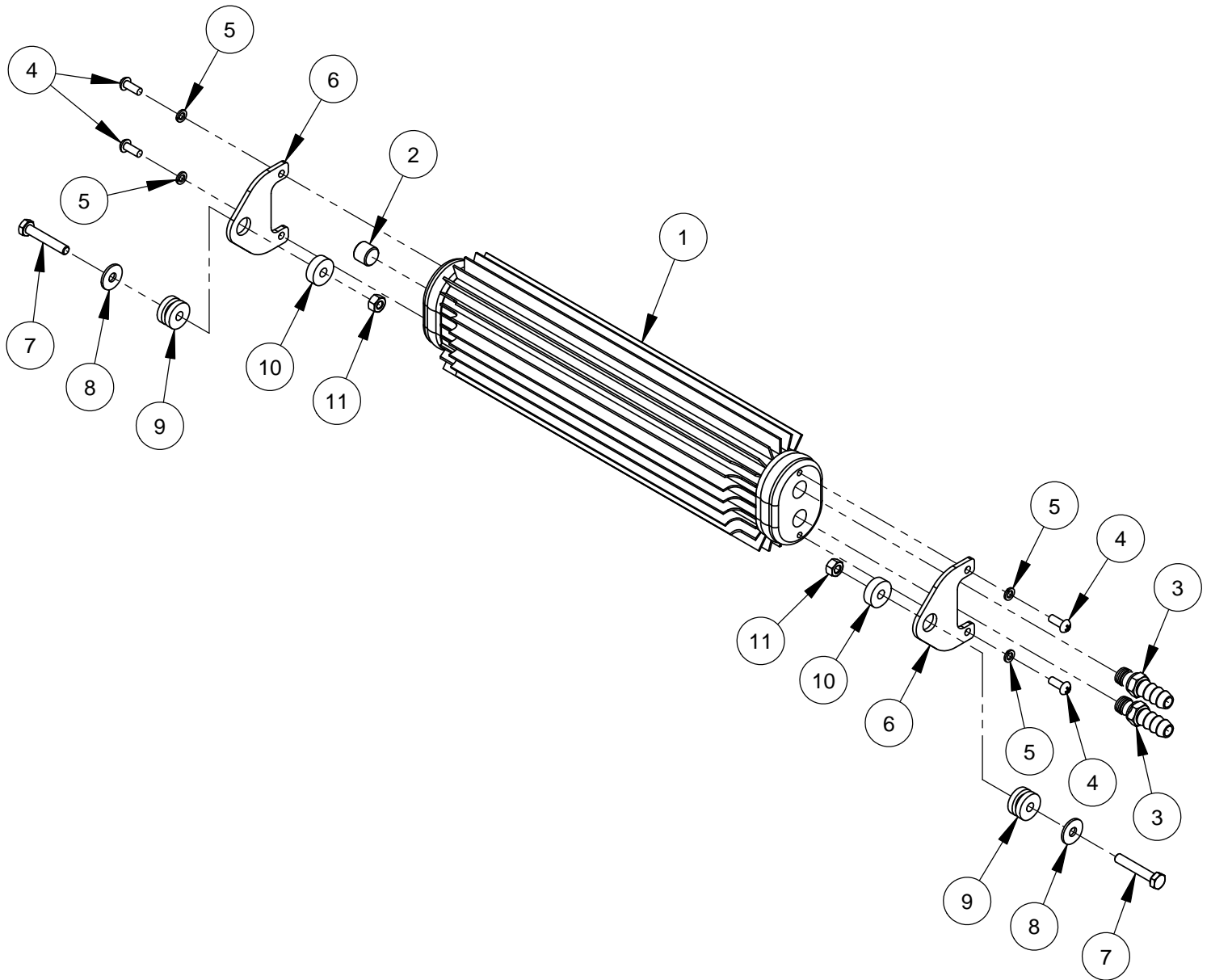
ITEM	PART NO.	SAP NO.	QTY.	DESCRIPTION
1	6017356	10993494	1	Oil Filter Mount Bracket
2	3201970	10989819	1	Filter Head
3	3201971	10993389	1	Filter Element
4	2900144	966338	2	Cap Screw, Hex Hd., 1/4-20 x 3/4"
5	2900024	966284	2	Lock Washer, 1/4" Split
6	2900009	966270	2	Flat Washer, 1/4" SAE
7	2901021	10989771	2	Cap Screw, Hex Hd., M10-1.25 x 20mm
8	2900321	966391	4	Lock Washer, M10 Split
9	2901356	10993350	4	Flat Washer, M10
10	3201896	10989815	2	Elbow, 1/2" O-Ring to 1/2" Hose Bead
11	6017355	10993493	1	Tank Mount Bracket
12	2900870	10989746	2	Cap Screw, Hex Hd., M10-1.25 x 30mm
13	2503796	10989602	1	Reservoir Tank & Cap
14	2900341	10990112	2	Cap Screw, Hex Hd., M6-1.0 x 16mm
15	2900765	10993321	2	Lock Washer, M6 Split
16	2901359	10993353	2	Fender Washer, M6
17	3200016	966420	4	Hose Clamp #8
18	6017395	10993523	1	Hose, 1/2" I.D. x 20"
19	6017396	10993524	1	Hose Assembly 1/2" x 16"
20	6017397	10993525	1	Hose Assembly 1/2" x 28"
21	6017469	#N/A	1	Heat Shield

Oil Pump & Cooler Assembly #6017425 (SAP# 10993552)



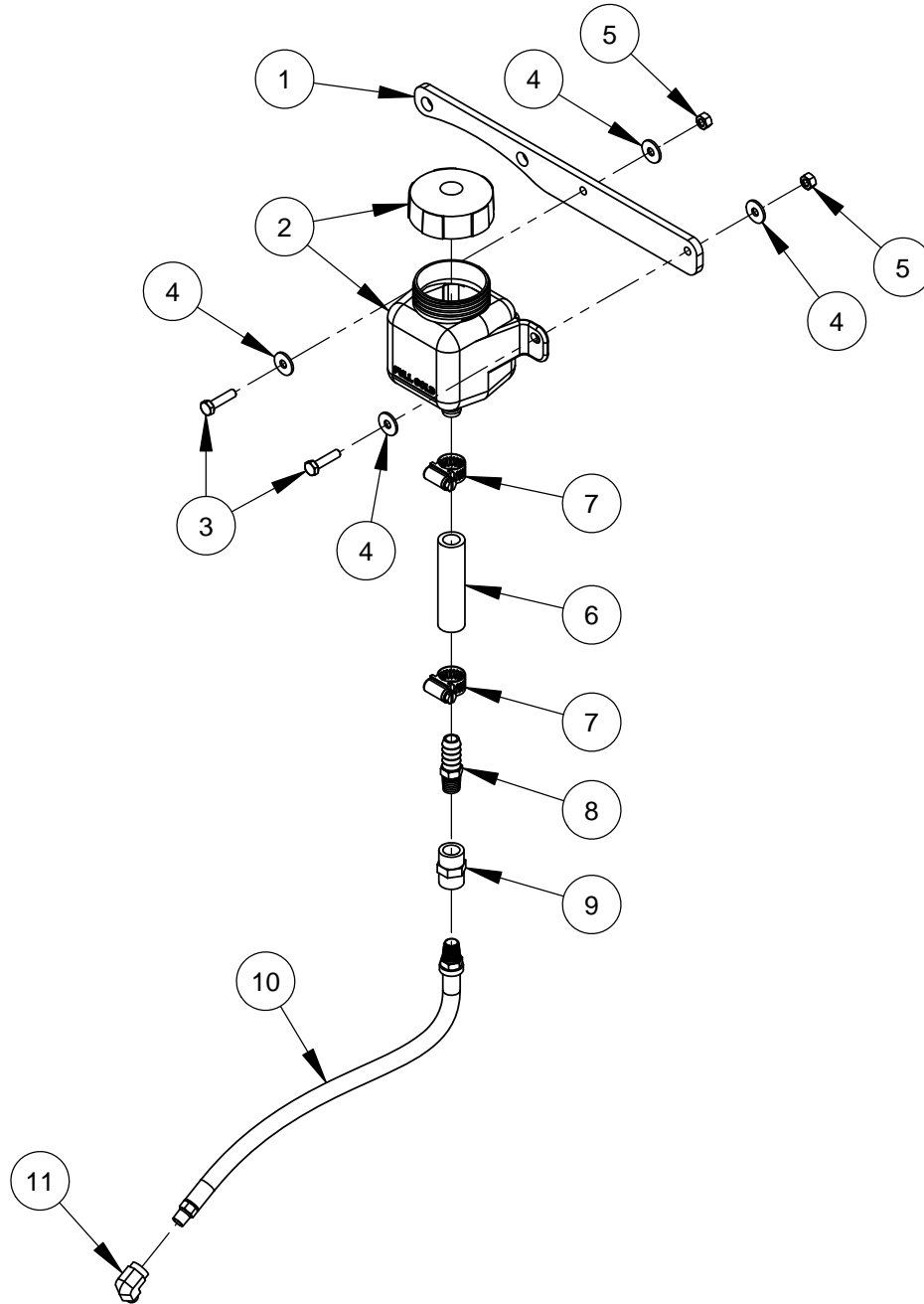
ITEM	PART NO.	SAP NO.	QTY.	DESCRIPTION
1	6017312	10990022	1	Pump Mount Bracket
2	6017317	10993489	1	Oil Pump, 12V Diaphragm
3	2900310	966380	2	Cap Screw, Hex Hd., M6-1.0 x 20mm
4	2900765	10993321	6	Lock Washer, M6 Split
5	2900305	10993289	2	Hex Nut, M6-1.0
6	2900544	10993305	4	Cap Screw, Hex Hd., M6-1.0 x 12mm
7	2901494	10993370	4	Flat Washer, M6
8	2503887	10993217	4	Vibration Isolator, M6
9	2900302	966373	4	Lock Nut, M6-1.0 Nylon Insert
10	3201966	10989818	1	Elbow, 3/8" Male Pipe
11	3201940	10989816	1	Mini Inline Filter (90 Micron)
	3201941	10989817	1	Filter Cartridge (90 Micron)
12	3201467	10989798	2	Fitting, 3/8" M. JIC to 3/8" M. Pipe
13	3200390	10989787	2	Hose Clamp #6
14	6017292	10990004	1	Hose Assembly 3/8" x 44"
15	6017293	10990005	1	Hose Assembly 3/8" x 10"
16	6017310	10990020	1	Hose Assembly 3/8" x 30"
17	3200219	10989782	1	Adapter, 1/4" M. Pipe to 1/4" F. JIC
18	3201892	10989812	1	Union Cross, 1/4" Male JIC
19	3200625	10989792	1	Tee, 1/4" Male JIC
20	6017445	10993566	2	Hose Assembly 1/4" x 24"
21	6017278	10989993	3	Hose Assembly 1/4" x 6"
22	3201241	10993386	2	Elbow, 1/4" M. JIC to 1/4" F. JIC
23	6017465	10993583	1	Oil Cooler Assembly

Oil Cooler Assembly #6017465 (SAP# 10993583)



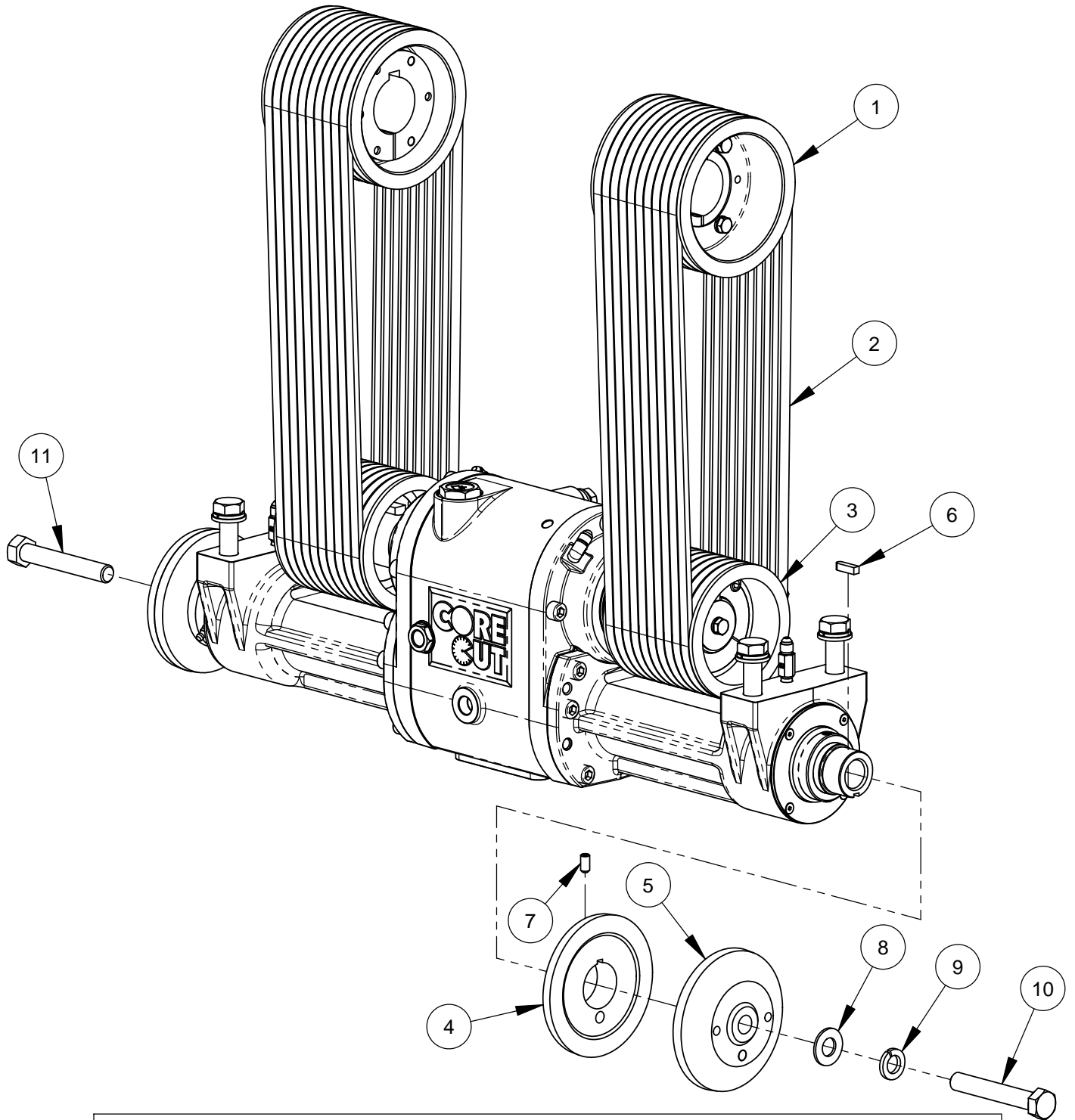
ITEM	PART NO.	SAP NO.	QTY.	DESCRIPTION
1	6017466	10993584	1	Oil Cooler (Modified)
2	3200552	10993384	1	Plug, 1/4" NPT
3	3200030	10993377	2	Fitting, 1/4" M. Pipe to 3/8" Hose Barb
4	2900708	10993314	4	Machine Screw, Rd. Hd., #10-32 x 1/2"
5	2900038	966295	4	Lock Washer, #10 Split
6	6017467	10993585	2	Oil Cooler Ear Mount
7	2900312	966382	2	Cap Screw, Hex Hd., M6-1.0 x 35mm
8	2901359	10993353	2	Fender Washer, M6
9	2503986	10993233	2	Grommet
10	2503987	10993234	2	Felt Washer, 1/4"
11	2900302	966373	2	Lock Nut, M6-1.0 Nylon Insert

Expansion Tank Assembly #6017462 (SAP# 10993580)



ITEM	PART NO.	SAP NO.	QTY.	DESCRIPTION
1	6017463	10993581	1	Tank Mount Bar
2	2502039	10993202	1	Expansion Tank & Cap
3	2900311	966381	2	Cap Screw, Hex Hd., M6-1.0 x 25mm
4	2901359	10993353	4	Fender Washer, M6
5	2900302	966373	2	Lock Nut, M6-1.0 Nylon Insert
6	6010435	10989830	1	Hose, 1/2" I.D. x 3"
7	3200016	966420	2	Hose Clamp #8
8	3200463	10993383	1	Fitting, 1/4" M. Pipe to 1/2" Hose Barb
9	3201110	10989795	1	Coupling, 1/4" NPT
10	6017464	10993582	1	Hose Assembly 1/4" x 16"
11	3200156	10989780	1	Street Elbow, 1/8" NPT

Belt Drive Assembly #6017452 (SAP# 10993569) for 3-Speed Saw



(SEE NEXT PAGE FOR ITEMS #1 THRU #5)

ITEM	PART NO.	SAP NO.	QTY	DESCRIPTION
6	6010040	966493	2	Key, 1/4" Sq. x 15/16"
7	2900418	10986391	2	Set Screw, Soc. Hd., 5/16-18 x 5/8"
8	2900002	966263	2	Flat Washer, 5/8" SAE
9	2900113	966326	2	Lock Washer, 5/8" Split
10	2900146	969767	1	Cap Screw, Hex Hd., 5/8-11 x 4"
11	2900130	969765	1	Cap Screw, Hex Hd., 5/8-11 x 4" LH

Belt Drive Assembly #6017452 (SAP# 10993569) for 3-Speed Saw

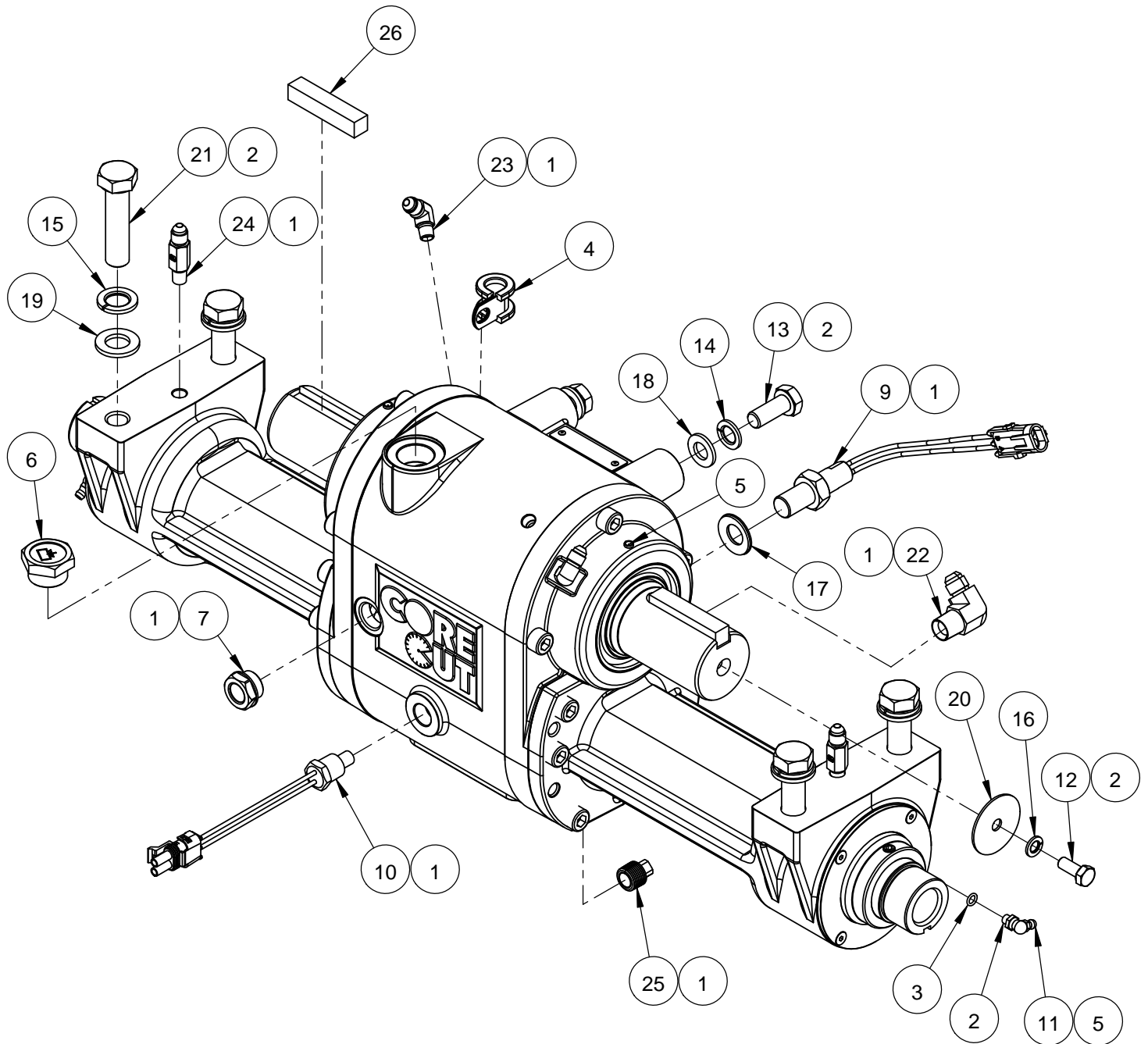
30/26/20 BLADE DRIVE #6017452A (SAP# 10993570)				
ITEM	PART NO.	SAP NO.	QTY.	DESCRIPTION
1	6017435	10993560	4	Sheave, 4.75" x 10 Groove w/Bushing
	2503792	10989599	1	Sheave, 4.75" x 10 Groove Taper Style
	2500937	10993180	1	Taper Bushing, 2" w/Setscrews
2	2500794	965305	20	V-Belt, 3VX450
3	6010255	10986395	2	Inner Flange 5"
4	6047907	965291	2	Outer Flange 5" with Pin

36/30/20 BLADE DRIVE #6017452B (SAP# 10993571)				
ITEM	PART NO.	SAP NO.	QTY	DESCRIPTION
1	6017438	10993561	2	Sheave, 6.5" x 10 Groove w/Bushing
	2501902	10989531	1	Sheave, 6.5" x 10 Groove QD Style
	2500153	966148	1	QD Bushing, SK x 2" w/Fasteners
2	2500298	977433	20	V-Belt, 3VX475
3	6017434	10993559	2	Sheave, 4.5" x 10 Groove w/Bushing
	2501381	10989526	1	Sheave, 4.5" x 10 Groove Taper Style
	2501411	10987832	1	Taper Bushing, 2" w/Setscrews & Key
4	6010038	966492	2	Inner Flange 6"
5	6010039	977439	2	Outer Flange 6" with Pin

42/36/26 BLADE DRIVE #6017452C (SAP# 10993572)				
ITEM	PART NO.	SAP NO.	QTY	DESCRIPTION
1	6013157	10987867	2	Sheave, 5.6" x 10 Groove w/Bushing
	2500209	969749	1	Sheave, 5.6" x 10 Groove QD Style
	2500153	966148	1	QD Bushing, SK x 2" w/Fasteners
2	2500298	977433	20	V-Belt, 3VX475
3	6017435	10993560	2	Sheave, 4.75" x 10 Groove w/Bushing
	2503792	10989599	1	Sheave, 4.75" x 10 Groove Taper Style
	2500937	10993180	1	Taper Bushing, 2" w/Setscrews
4	6017230	10989967	2	Inner Flange 7"
5	6017231	10989968	2	Outer Flange 7" with Pin

48/42/30 BLADE DRIVE #6017452D (SAP# 10993573)				
ITEM	PART NO.	SAP NO.	QTY	DESCRIPTION
1	6017435	10993560	4	Sheave, 4.75" x 10 Groove w/Bushing
	2503792	10989599	1	Sheave, 4.75" x 10 Groove Taper Style
	2500937	10993180	1	Taper Bushing, 2" w/Setscrews
2	2500794	965305	20	V-Belt, 3VX450
3	6013017	966583	2	Inner Flange 8"
4	6013018	966584	2	Outer Flange 8" with Pin

**Blade Shaft Assembly for 3-Speed Saw
#6018230 (SAP# 10993589) (Option A)
or #6018232 (SAP# 10993590) (Option B)**



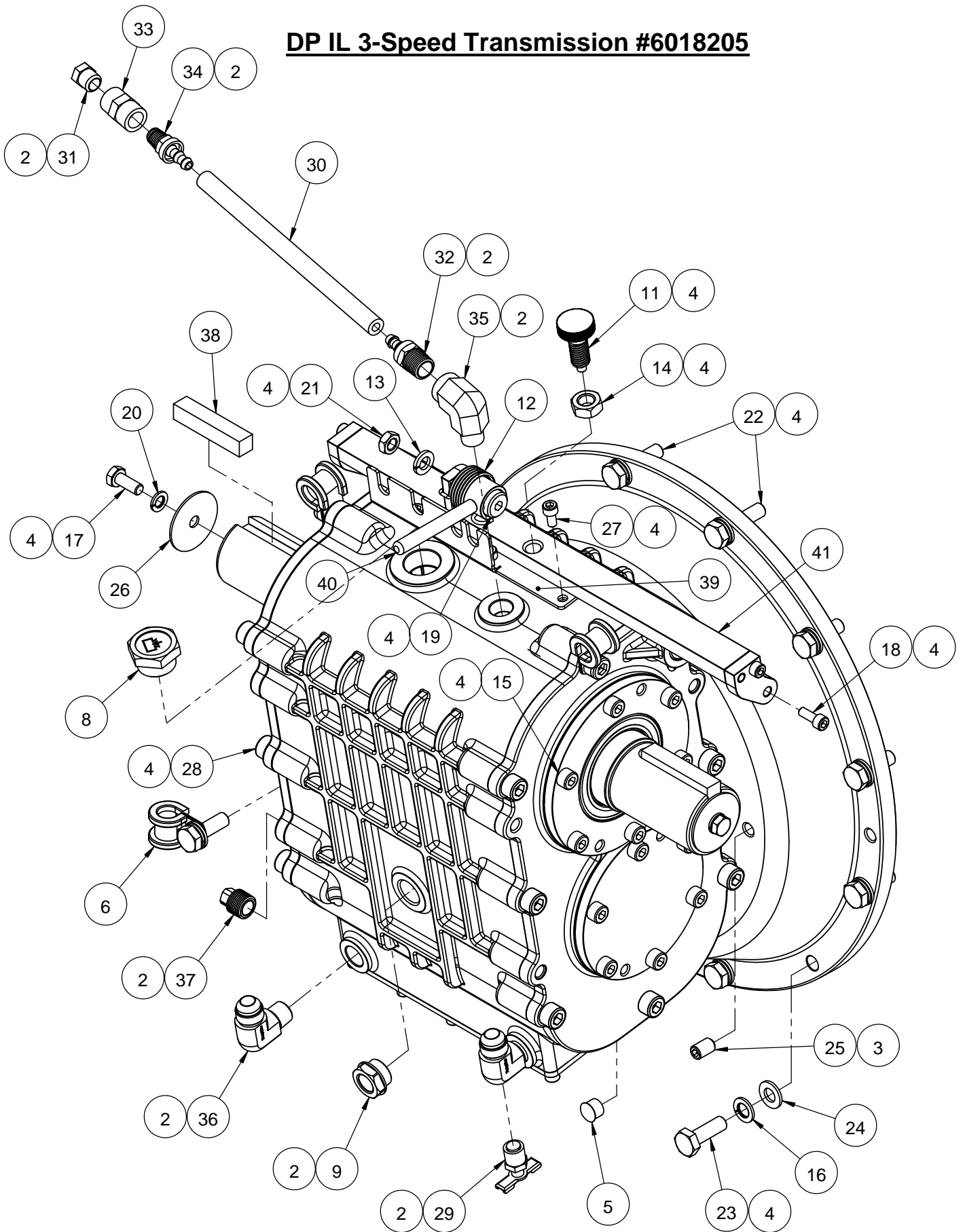
**Blade Shaft Assembly for 3-Speed Saw
#6018230 (SAP# 10993589) (Option A)
or #6018232 (SAP# 10993590) (Option B)**

ITEM	PART NO.	SAP NO.	QTY	DESCRIPTION
1	2401311	10989508	AR	Loctite #567 Thread Sealant
2	2401316	10989510	AR	Loctite #262 Red
3	2500939	10993181	2	O-Ring, AS568A - 010
4	2501434	10989529	1	Hose Clamp, 5/8" x 3/4" Wide
5	2502046	10989532	AR	Grease, Fuchs Synthetic
6	2503834	10989613	1	Oil Fill Cap
7	2503872	10993209	1	M20 x 1.5 Sight Glass with Reflector
8	2503954	10989620	2qt	Synthetic ATF
9	2800169	969379	1	Magnetic Sensor w/Jam Nut
10	2800892	10993268	1	Temperature Sender 3/8" NPT
11	2900061	966311	2	Grease Fitting, 1/4-28 x 90 Degree
12	2900329	966398	2	Cap Screw, Hex Hd., M8 x 1.25 x 20mm
13	2900330	966399	2	Cap Screw, Hex Hd., M12 x 1.75 x 30mm
14	2900699	10989726	2	Lock Washer, M12 Split
15	2900716	10993315	4	Lock Washer, M16 Split
16	2900763	10993320	2	Lock Washer, M8 Split
17	2900805	10989734	1	Sealing Washer, 5/8"
18	2901357	10993351	2	Flat Washer, M12
19	2901358	10993352	4	Flat Washer, M16
20	2901504	10993372	2	Fender Washer, 5/16 x 1-3/4 x 1/16"
21	2901518	10993373	4	Cap Screw, Hex Hd., M16 x 2 x 65mm
22	3201466	10989797	1	Elbow, 3/8" M. Pipe to 3/8" M. JIC
23	3201668	10989805	2	Elbow, 1/4" M. JIC to 1/8" M. Pipe
24	3201893	10989813	2	Adapter, 1/8" M. Pipe to 1/4" M. JIC
25	3201999	10989823	1	Magnetic Pipe Plug, 3/8" NPT
26	6018187	10993586	2	Key, 1/2" Square x 2-1/2" Long

Service Notes:

1. Change lubricating oil & clean breather vent & pump suction filter every 100 hours.
2. To clear oil lines and check pump flow, disconnect bearing lube lines and place in bucket. Turn ignition switch to ON position & let pump run until clean oil flows from each line.
3. Top off transmission with specified oil (min 50% of sight glass).
4. Relubricate input and bladeshaft seals with 2502046 synthetic grease at least weekly and after power washing.

DP IL 3-Speed Transmission #6018205



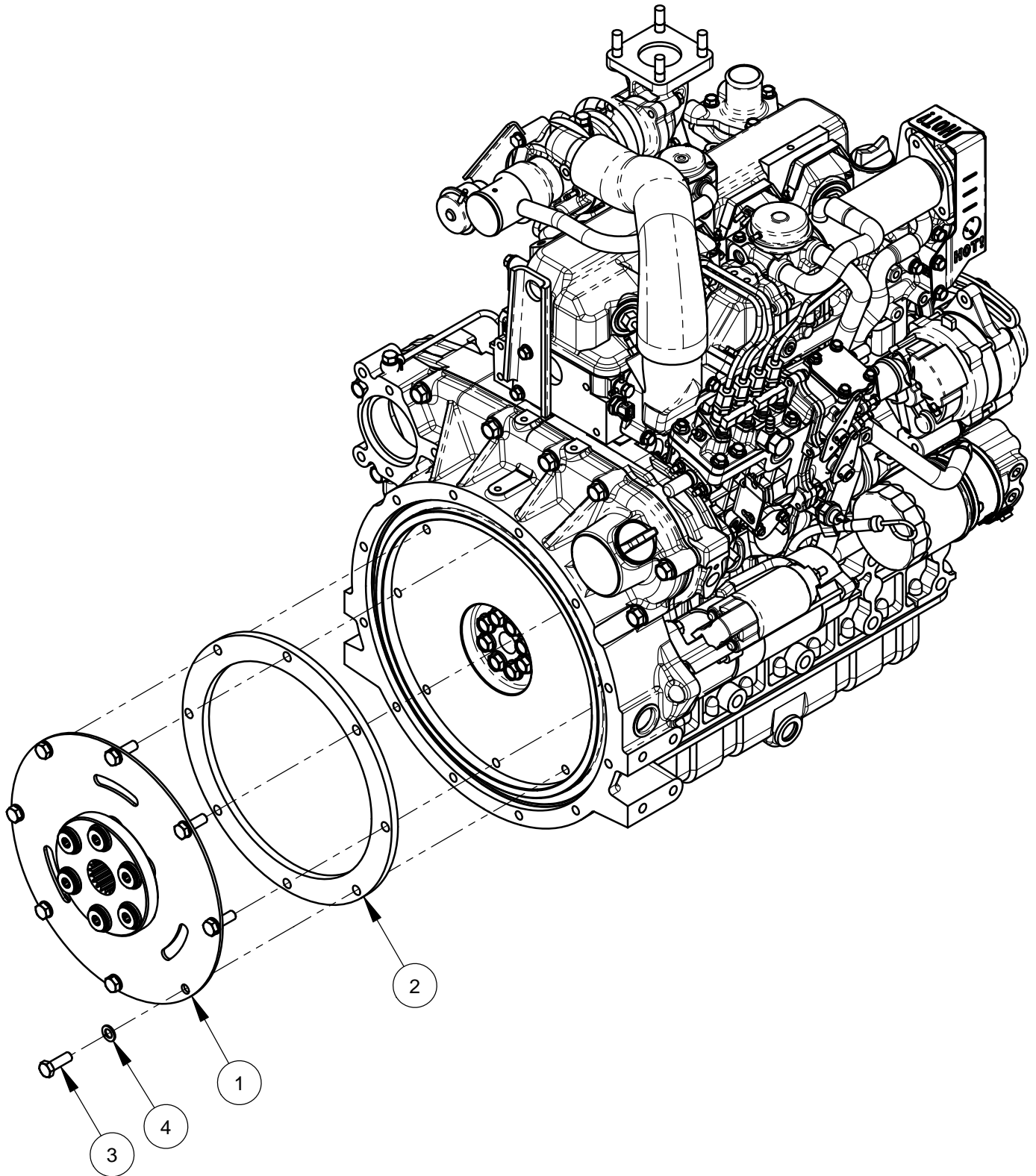
DP IL 3-Speed Transmission #6018205 (SAP# 10993587)

ITEM	PART NO.	SAP NO.	QTY	DESCRIPTION
1	1801934	10993176	1	3-Speed Shifter Label
2	2401311	10989508	AR	Loctite #567 Thread Sealant
3	2401315	10989509	AR	Loctite #242 Blue
4	2401316	10989510	AR	Loctite #262 Red
5	2500204	966162	1	Plug, 1/2" Hole
6	2501434	10989529	3	Hose Clamp, 5/8" x 3/4" Wide
7	2503829	10990109	AR	Loctite Anti-Seize
8	2503834	10989613	1	Oil Fill Cap
9	2503872	10993209	1	M20 x 1.5 Sight Glass with Reflector
10	2503930	10989618	3qt	Gear Oil, 75W90 Synthetic
11	2503990	10993237	1	Spring Loaded Plunger, 1/2-13
12	2503991	10993238	1	Torsion Spring, .090 x 1.25
13	2900006	966267	1	Lock Washer, 3/8" Split
14	2900129	10986290	1	Jam Nut, 1/2-13
15	2900243	10993286	20	Cap Screw, Soc. Hd., M8 x 1.25 x 20mm
16	2900321	966391	11	Lock Washer, M10 Split
17	2900329	966398	2	Capscrew, Hex Hd., M8 x 1.25 x 20mm
18	2900553	10989717	2	Cap Screw, Soc. Hd., M6 x 1 x 16mm
19	2900587	10993306	1	Shoulder Screw, 1/2" x 1" (3/8-16)
20	2900763	10993320	2	Lock Washer, M8 Split
21	2900782	10989732	1	Jam Nut, 3/8-16
22	2900799	10993325	2	Cap Screw, Hex Hd., M10-1.25 x 40mm
23	2900870	10989746	9	Cap Screw, Hex Hd., M10 x 1.25 x 30mm
24	2901356	10993350	11	Flat Washer, M10
25	2901500	10993371	2	Set Screw, Soc. Hd., M10-1.25 x 16mm
26	2901504	10993372	2	Fender Washer, 5/16 x 1-3/4 x 1/16"
27	2901621	10993374	3	Cap Screw, Soc. Hd., M6 x 1 x 12mm
28	2903166	10993375	24	Cap Screw, Soc. Hd., M10 x 1.5 x 25mm
29	3200035	969769	1	Petcock, 1/4 NPT
30	3200063	10989775	20"	1/4" Pushlok Hose
31	3200067	977427	1	Breather Vent, 1/4" NPT
32	3200070	966442	1	Fitting, 3/8" MNPT to 1/4" Pushlok
33	3201110	10989795	1	Coupling, 1/4" NPT
34	3201270	10989796	1	Fitting, 1/4" MNPT to 1/4" Pushlok
35	3201657	10993387	1	Street Elbow, 3/8" NPT
36	3201886	10993388	2	Elbow, 1/2" MJIC to 3/8" MNPT
37	3201999	10989823	1	Magnetic Pipe Plug, 3/8" NPT
38	6018187	10993586	2	Key, 1/2" Square x 2-1/2" Long
39	6018257	10993591	1	Detent Gate
40	6018258	10993592	1	Shift Lever Assembly
41	6018259	10993593	1	Shift Bracket Assembly

Service Notes:

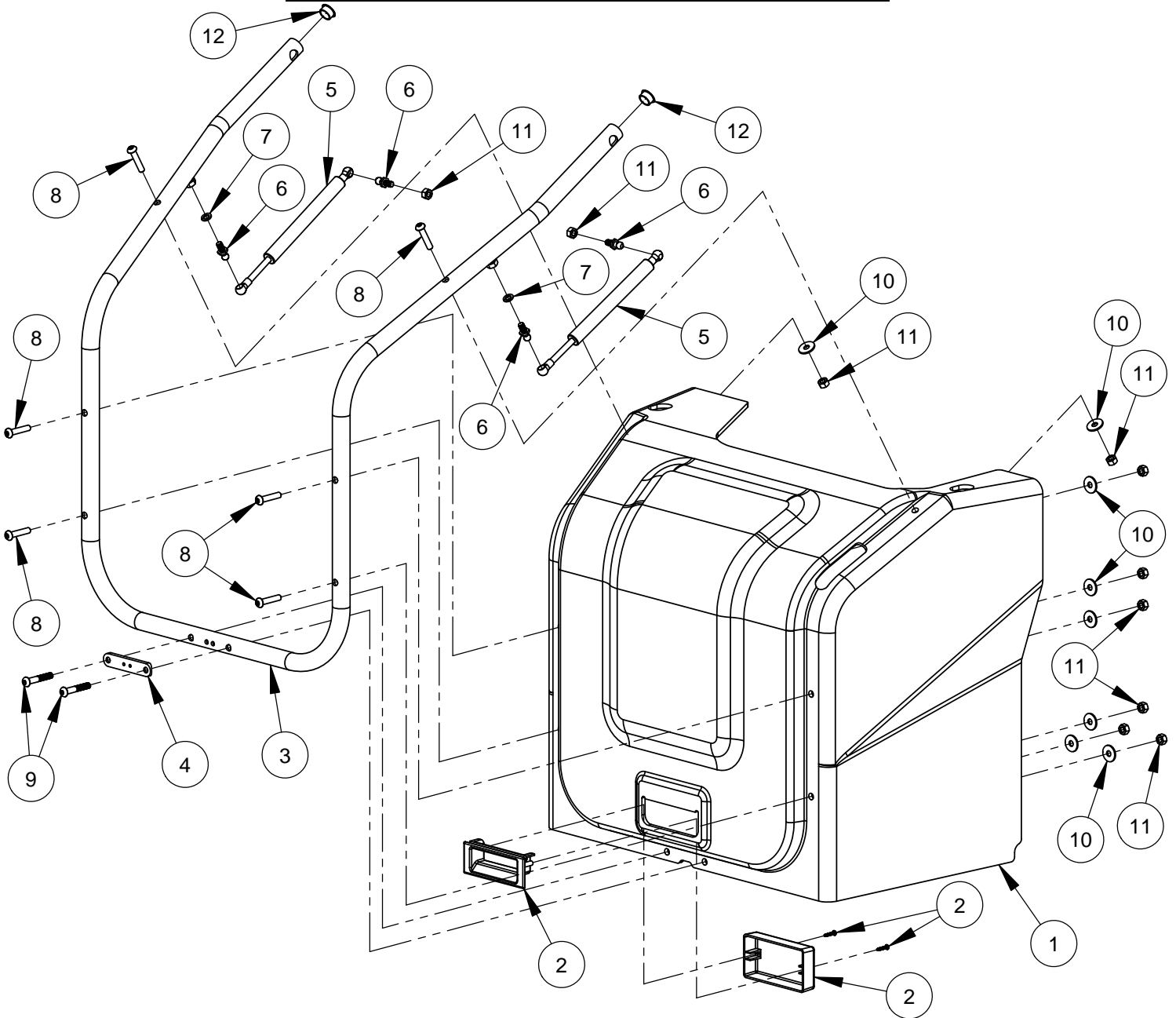
1. Lubricate external splines with 2503829 anti-seize.
2. Change oil & clean breather vent every 100 hours. Refill with specified oil (min 50% of sight glass).
3. Drain water jacket by opening 3200035 petcock and placing saw in lowest cutting position.

Flywheel Coupling Assembly #6017106 (SAP# 10989888)



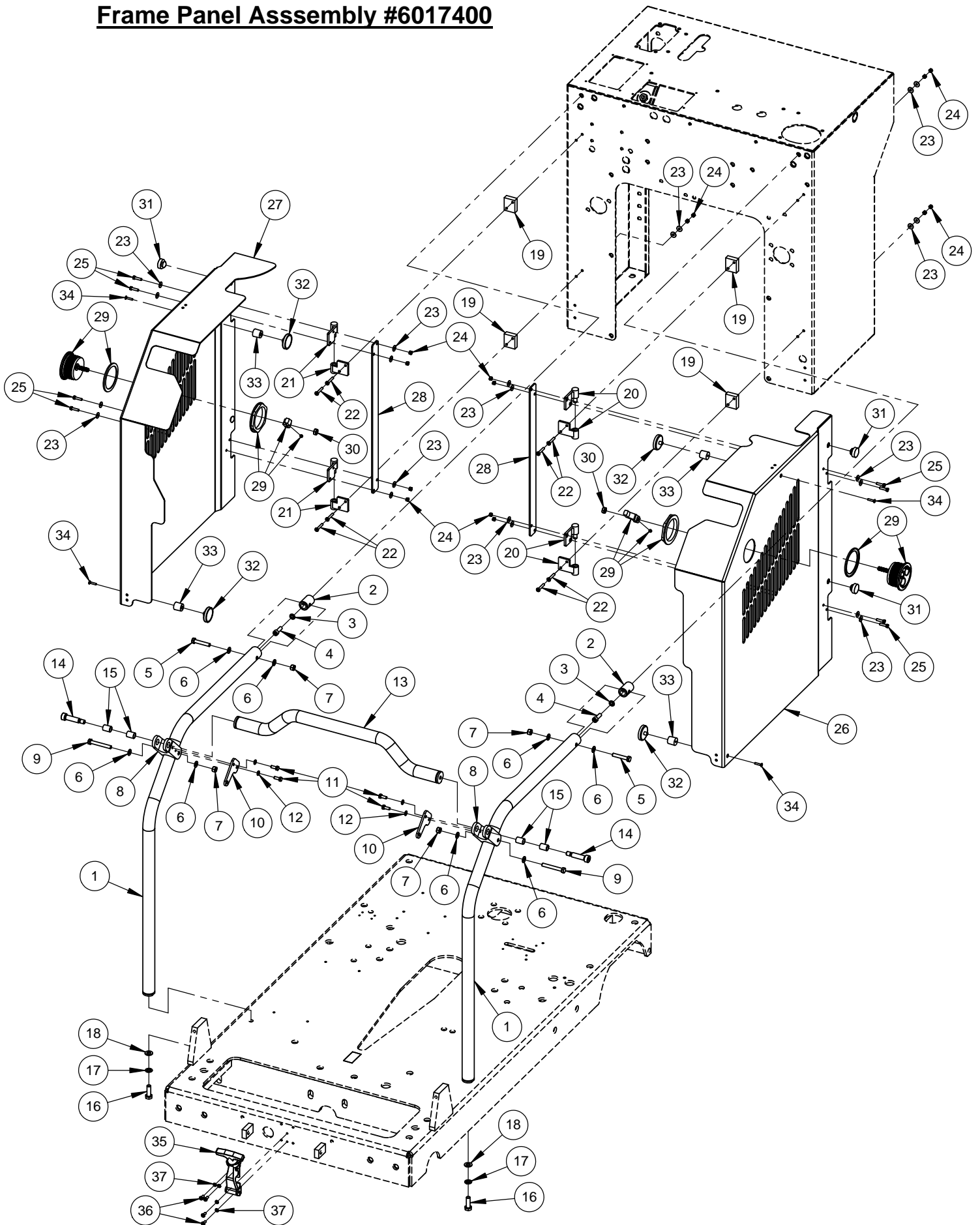
ITEM	PART NO.	SAP NO.	QTY	DESCRIPTION
1	2502183	10989539	1	Flywheel Coupling
2	6017113	10989889	1	Spacer Ring (SAE #10)
3	2900870	10989746	8	Cap Screw, Hex Hd., M10-1.25 x 30mm
4	2900321	966391	8	Lock Washer, M10 Split

Hood Assembly #6017440 (SAP# 10993602)



ITEM	PART NO.	SAP NO.	QTY.	DESCRIPTION
1	6017362	10993498	1	Hood
2	2503885	10993215	1	Pull Handle, Flush
3	6017365	10993499	1	Hood Tube
4	6017443	10993565	1	Latch Catch
5	2503882	10993212	2	Gas Spring
6	2503883	10993213	4	Ball Stud 10mm (M8-1.25 Thread)
7	2900763	10993320	2	Lock Washer, M8 Split
8	2901381	10993366	6	Cap Screw, Button Hd., M8-1.25 x 40mm
9	2901366	10993358	2	Cap Screw, Button Hd., M8-1.25 x 50mm
10	2900383	10993293	8	Fender Washer, M8
11	2900303	966374	10	Lock Nut, M8-1.25 Nylon Insert
12	2500463	10993177	2	Plug, 3/4" Hole

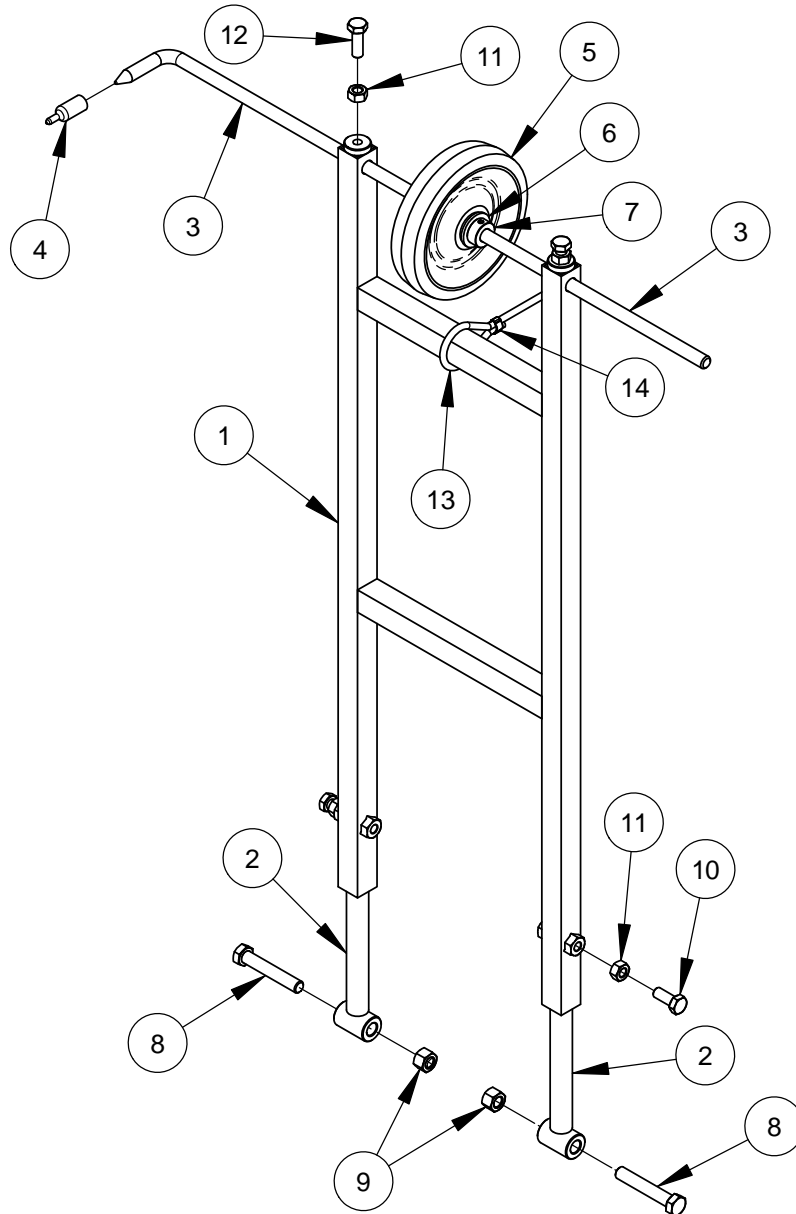
Frame Panel Assembly #6017400



Frame Panel Assembly #6017400 (SAP# 10993527)

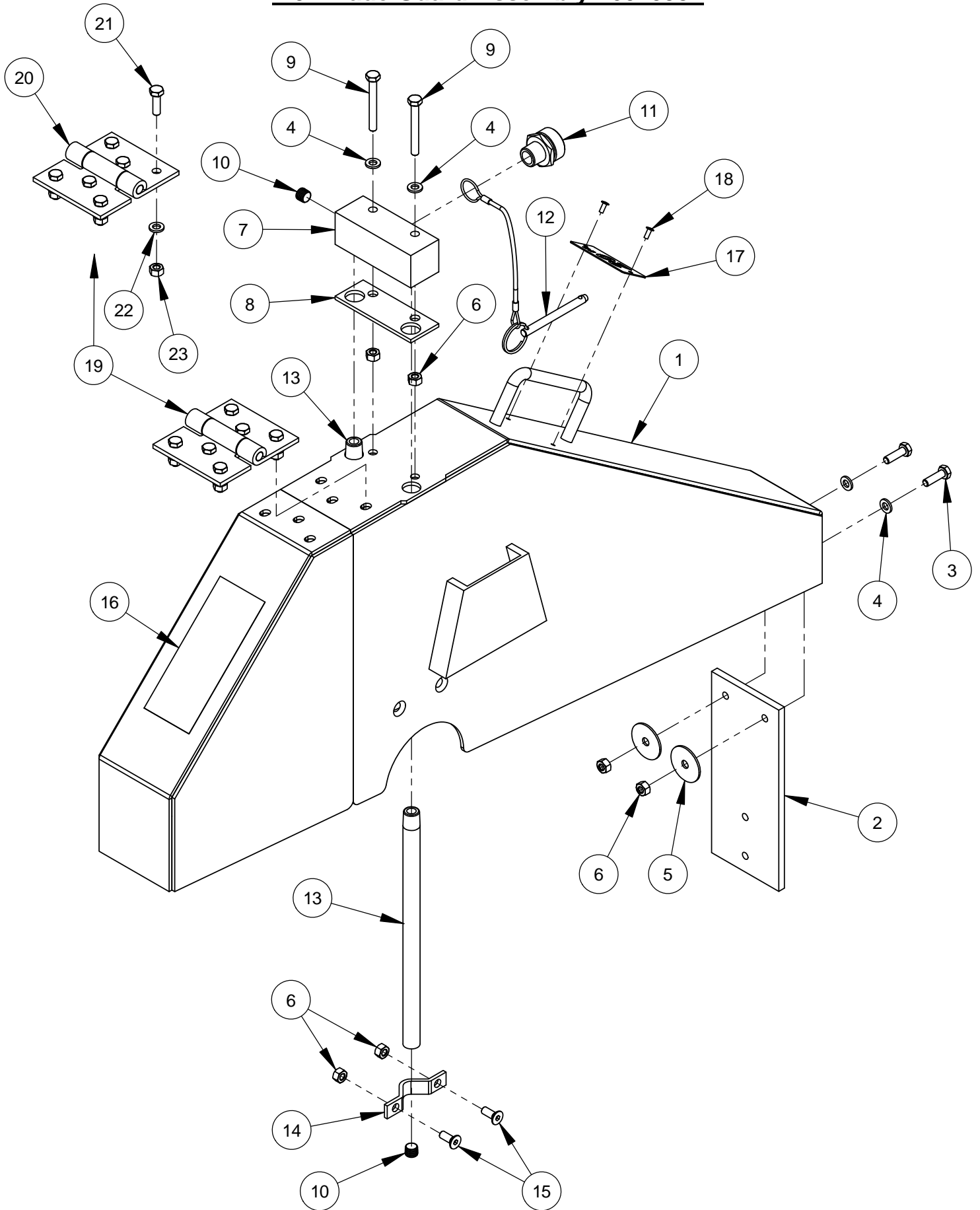
ITEM	PART NO.	SAP NO.	QTY.	DESCRIPTION
1	6017368	10993502	2	Panel Tube
2	6017370	10993504	2	Tube Mount Sleeve
3	2900763	10993320	2	Lock Washer, M8 Split
4	2900161	10993281	2	Cap Screw, Soc. Hd., M8-1.25 x 25mm
5	2900336	966405	2	Cap Screw, Hex Hd., M8-1.25 x 45mm
6	2901336	10993335	8	Flat Washer, M8
7	2900303	966374	4	Lock Nut, M8-1.25 Nylon Insert
8	6017366	10993500	2	Tube Link
9	2900747	10993317	2	Cap Screw, Hex Hd., M8-1.25 x 60mm
10	6017367	10993501	2	Gas Spring Mount
11	2900341	10990112	4	Cap Screw, Hex Hd., M6-1.0 x 16mm
12	2900765	10993321	4	Lock Washer, M6 Split
13	6017369	10993503	1	Cross Tube
14	2900931	10993330	2	Shoulder Bolt, 12mm x 40mm (M10-1.5)
15	2503884	10993214	4	Sleeve Bearing, 12mm x 15mm x 20mm
16	2900223	966356	2	Cap Screw, Hex Hd., M10-1.5 x 30mm
17	2900321	966391	2	Lock Washer, M10 Split
18	2901356	10993350	2	Flat Washer, M10
19	6017372	10993505	4	Hinge Spacer
20	2503695	10993203	2	Hinge, Lift-off R.H.
21	2503696	10993204	2	Hinge, Lift-off L.H.
22	2901365	10993357	8	Machine Screw, Pan Hd., M5-0.8 x 30mm
23	2900770	10993323	24	Fender Washer, M5
24	2900301	966372	16	Lock Nut, M5-0.8 Nylon Insert
25	2900309	966379	8	Cap Screw, Hex Hd., M5-0.8 x 20mm
26	6017431	10993556	1	Side Panel, Left
27	6017432	10993557	1	Side Panel, Right
28	6017389	10993520	2	Bridge Bar
29	2503877	10993210	2	Latch Assembly
30	2900782	10989732	2	Jam Nut, 3/8-16
31	2502389	10989554	4	Button Bumper
32	2503988	10993235	4	Magnet Catch, Encased
33	2503989	10993236	4	Bumper, Magnet
34	2901384	10993369	4	Machine Screw, Flat Hd., M4-0.7 x 20mm
35	2501141	10993185	1	Draw Latch
36	2900794	10993324	4	Machine Screw, Pan Hd., M5-0.8 x 12mm
37	2900767	10993322	4	Lock Washer, M5 Split

Front Pointer Assembly #6017426 (SAP# 10993553)



ITEM	PART NO.	SAP NO.	QTY.	DESCRIPTION
1	6017386	10993518	1	Front Pointer Frame
2	6011152	10989846	2	Front Pointer Arm
3	6013025	966591	1	Front Pointer Rod
4	2500740	10989514	1	Pointer Cap
5	2501409	10988539	1	Wheel, 6"
6	2900127	10989037	2	Flat Washer, 1/2" USS
7	2500007	966119	2	Set Collar, 1/2" with Set Screw
8	2901345	10993341	2	Cap Screw, Hex Hd., M12-1.75 x 70mm
9	2900327	966396	2	Lock Nut, M12-1.75 Nylon Insert
10	2900333	966402	2	Cap Screw, Hex Hd., M10-1.5 x 25mm
11	2900325	966394	4	Hex Nut, M10-1.5
12	2900223	966356	2	Cap Screw, Hex Hd., M10-1.5 x 30mm
13	6017241	10989977	1	Pointer Rope 11 Foot
14	3200221	966467	2	Pinch Clamp, Two Ear

20" Blade Guard Assembly #6010952

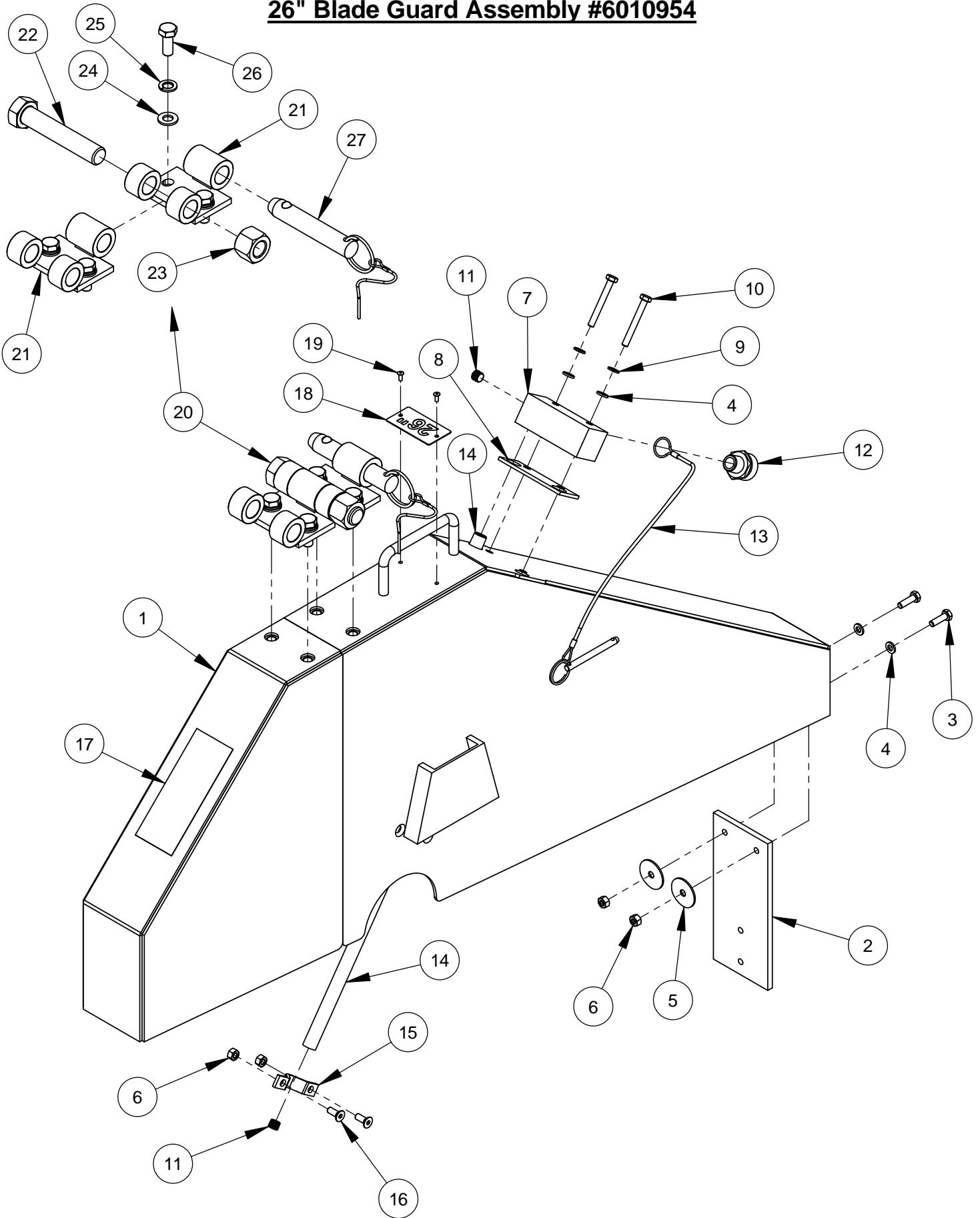


20" Blade Guard Assembly #6010952 (SAP# 10989833)

ITEM	PART NO.	SAP NO.	QTY.	DESCRIPTION
1	6010603	10989834	1	20" Blade Guard Front & Rear Only
2	6010081	966520	1	Splash Flap
3	2900310	966380	2	Cap Screw, Hex Hd., M6-1.0 x 20mm
4	2901494	10993370	4	Flat Washer, M6
5	2900083	10987846	2	Fender Washer, 1/4" x 1-1/4"
6	2900302	966373	8	Lock Nut, M6-1.0 Nylon Insert
7	6010261	977424	1	Water Manifold
8	2500830	10989515	1	Water Manifold Gasket
9	2901355	10993349	2	Cap Screw, Hex Hd., M6-1.0 x 50mm
10	3200001	966415	3	Plug, 1/8" NPT
11	3200002	962621	1	Fitting, 3/8" M. Pipe to 3/4" M. Garden
12	2900278	10989696	1	Lanyard with Lock Pin
13	6010085	966523	2	Water Tube for 20" Guard
14	6048155	966738	2	Water Tube Clamp
15	2900308	966378	4	Cap Screw, Flat Hd., M6-1.0 x 16mm
16	1800001	10986206	1	Warning Label
17	1801369D	10989499	1	Blade Guard Size Tag
18	2900287	10989699	2	Rivet, 1/8" Dia.
19	6048027	966660	1	Hinge Assembly

ITEM	PART NO.	SAP NO.	QTY.	DESCRIPTION
20	2500270	966170	1	Blade Guard Hinge
21	2900310	966380	6	Cap Screw, Hex Hd., M6-1.0 x 20mm
22	2901494	10993370	6	Flat Washer, M6
23	2900302	966373	6	Lock Nut, M6-1.0 Nylon Insert

26" Blade Guard Assembly #6010954

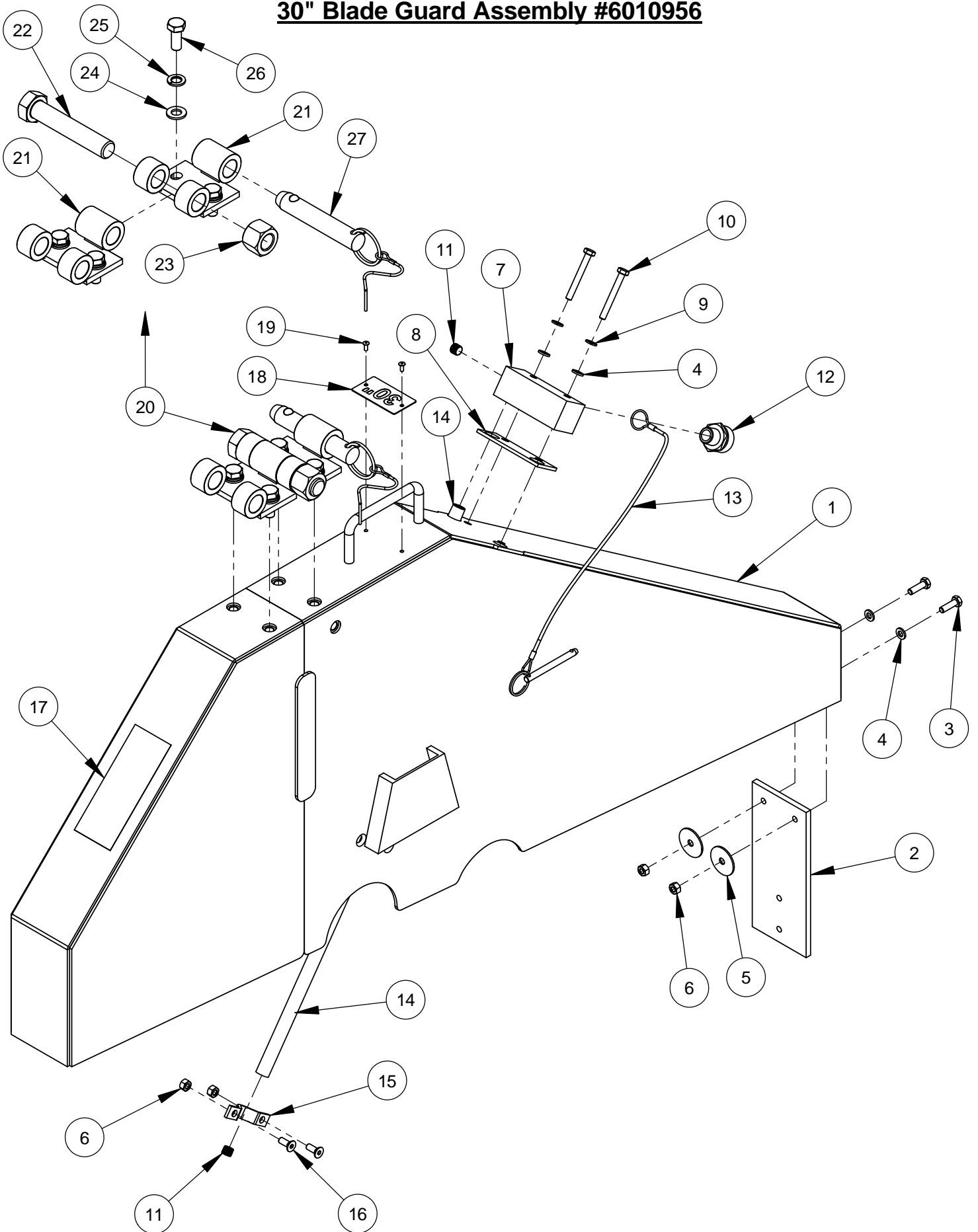


26" Blade Guard Assembly #6010954 (SAP# 10985254)

ITEM	PART NO.	SAP NO.	QTY.	DESCRIPTION
1	6010955	10993456	1	26" Blade Guard Front & Rear Only
2	6010081	966520	1	Splash Flap
3	2900310	966380	2	Cap Screw, Hex Hd., M6-1.0 x 20mm
4	2901494	10993370	4	Flat Washer, M6
5	2900083	10987846	2	Fender Washer, 1/4" x 1-1/4"
6	2900302	966373	6	Lock Nut, M6-1.0 Nylon Insert
7	6010261	977424	1	Water Manifold
8	2500830	10989515	1	Water Manifold Gasket
9	2900765	10993321	2	Lock Washer, M6 Split
10	2901355	10993349	2	Cap Screw, Hex Hd., M6-1.0 x 50mm
11	3200001	966415	3	Plug, 1/8" NPT
12	3200002	962621	1	Fitting, 3/8" M. Pipe to 3/4" M. Garden
13	2900279	10989697	1	Lanyard with Lock Pin
14	6010086	965309	2	Water Tube for 26" Guard
15	6048155	966738	2	Water Tube Clamp
16	2900308	966378	4	Cap Screw, Flat Hd., M6-1.0 x 16mm
17	1800001	10986206	1	Warning Label
18	1801369F	10989498	1	Blade Guard Size Tag
19	2900287	10989699	2	Rivet, 1/8" Dia.
20	6010873	10993447	1	Universal Hinge Assembly

ITEM	PART NO.	SAP NO.	QTY	DESCRIPTION
21	6010871	10989844	2	Hinge Weldment, Universal
22	2900479	10988726	1	Cap Screw, Hex Hd., 3/4-10 x 4"
23	2900467	10988727	1	Lock Nut, 3/4-10 Nylon
24	2901356	10993350	4	Flat Washer, M10
25	2900321	966391	4	Lock Washer, M10 Split
26	2900333	966402	4	Cap Screw, Hex Hd., M10-1.5 x 25mm
27	2503824	10989610	1	Detent Pin, 3/4" x 3" Grip

30" Blade Guard Assembly #6010956

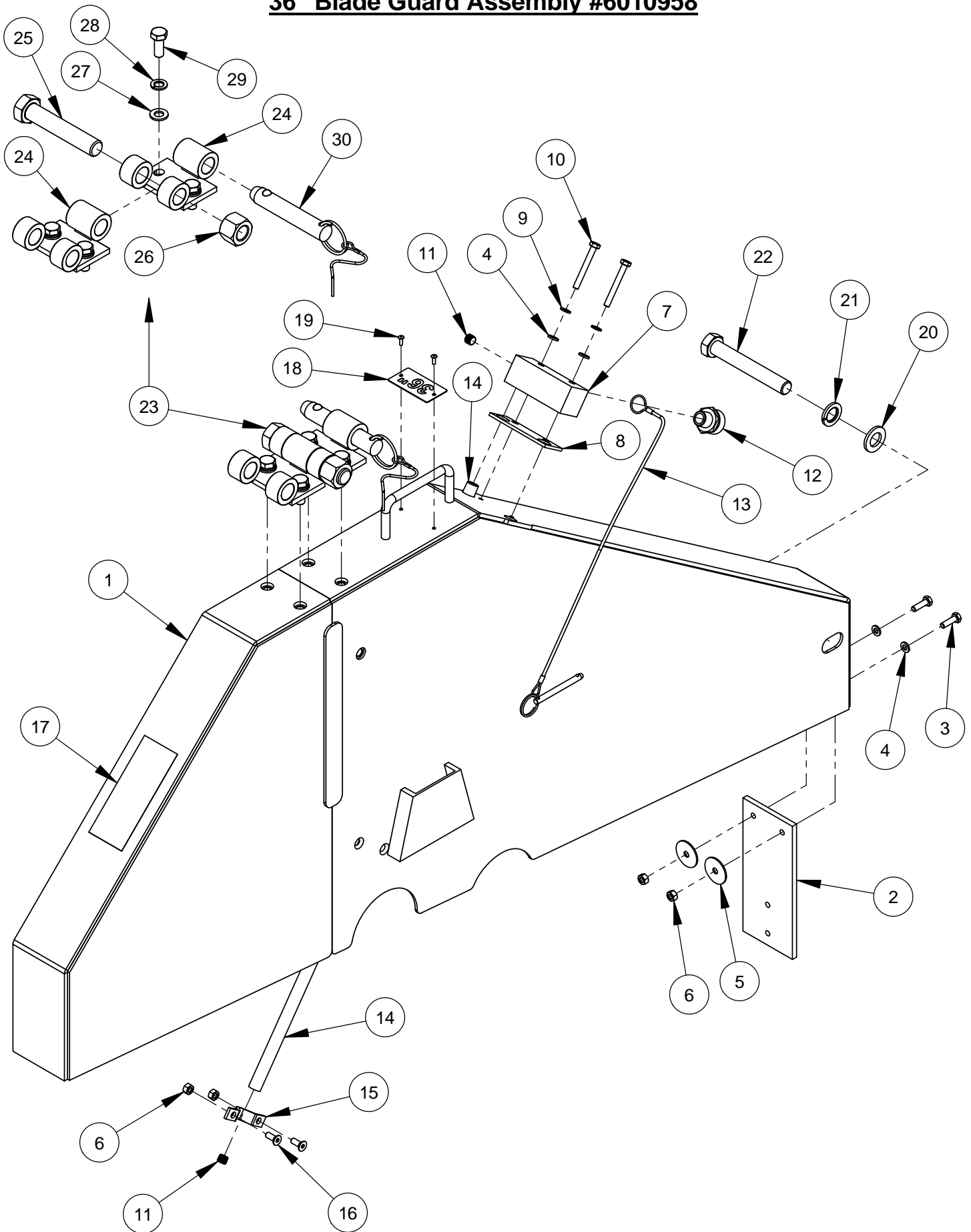


30" Blade Guard Assembly #6010956 (SAP# 10989836)

ITEM	PART NO.	SAP NO.	QTY.	DESCRIPTION
1	6010957	10993457	1	30" Blade Guard Front & Rear Only
2	6010081	966520	1	Splash Flap
3	2900310	966380	2	Cap Screw, Hex Hd., M6-1.0 x 20mm
4	2901494	10993370	4	Flat Washer, M6
5	2900083	10987846	2	Fender Washer, 1/4" x 1-1/4"
6	2900302	966373	6	Lock Nut, M6-1.0 Nylon Insert
7	6010261	977424	1	Water Manifold
8	2500830	10989515	1	Water Manifold Gasket
9	2900765	10993321	2	Lock Washer, M6 Split
10	2901355	10993349	2	Cap Screw, Hex Hd., M6-1.0 x 50mm
11	3200001	966415	3	Plug, 1/8" NPT
12	3200002	962621	1	Fitting, 3/8" M. Pipe to 3/4" M. Garden
13	2900279	10989697	1	Lanyard with Lock Pin
14	6010087	966525	2	Water Tube for 30" Guard
15	6048155	966738	2	Water Tube Clamp
16	2900308	966378	4	Cap Screw, Flat Hd., M6-1.0 x 16mm
17	1800001	10986206	1	Warning Label
18	1801369G	10990110	1	Blade Guard Size Tag
19	2900287	10989699	2	Rivet, 1/8" Dia.
20	6010873	10993447	1	Universal Hinge Assembly

ITEM	PART NO.	SAP NO.	QTY	DESCRIPTION
21	6010871	10989844	2	Hinge Weldment, Universal
22	2900479	10988726	1	Cap Screw, Hex Hd., 3/4-10 x 4"
23	2900467	10988727	1	Lock Nut, 3/4-10 Nylon
24	2901356	10993350	4	Flat Washer, M10
25	2900321	966391	4	Lock Washer, M10 Split
26	2900333	966402	4	Cap Screw, Hex Hd., M10-1.5 x 25mm
27	2503824	10989610	1	Detent Pin, 3/4" x 3" Grip

36" Blade Guard Assembly #6010958

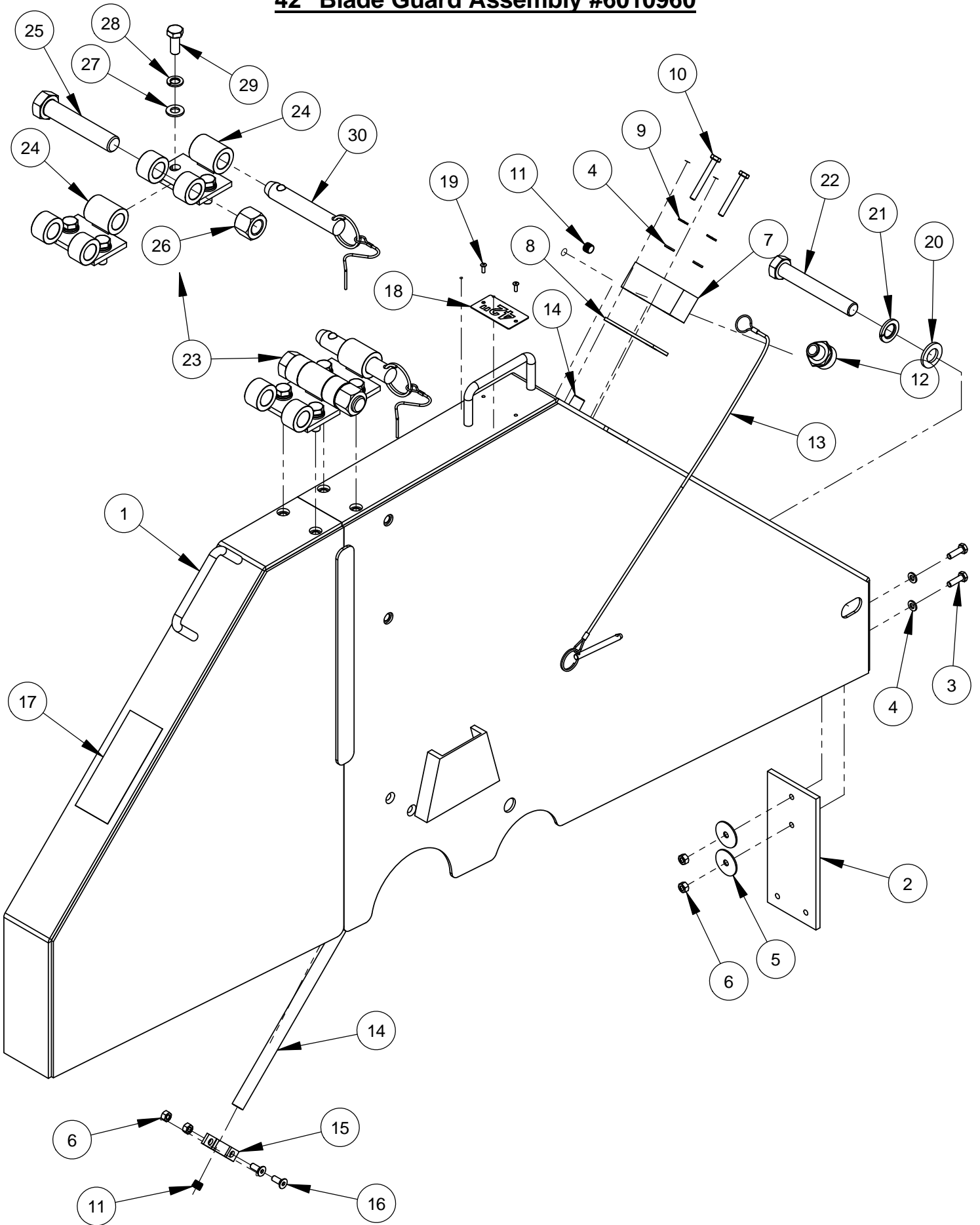


36" Blade Guard Assembly #6010958 (SAP# 10989838)

ITEM	PART NO.	SAP NO.	QTY.	DESCRIPTION
1	6010959	10993458	1	36" Blade Guard Front & Rear Only
2	6010081	966520	1	Splash Flap
3	2900310	966380	2	Cap Screw, Hex Hd., M6-1.0 x 20mm
4	2901494	10993370	4	Flat Washer, M6
5	2900083	10987846	2	Fender Washer, 1/4" x 1-1/4"
6	2900302	966373	6	Lock Nut, M6-1.0 Nylon Insert
7	6010261	977424	1	Water Manifold
8	2500830	10989515	1	Water Manifold Gasket
9	2900765	10993321	2	Lock Washer, M6 Split
10	2901355	10993349	2	Cap Screw, Hex Hd., M6-1.0 x 50mm
11	3200001	966415	3	Plug, 1/8" NPT
12	3200002	962621	1	Fitting, 3/8" M. Pipe to 3/4" M. Garden
13	2900280	10989184	1	Lanyard with Lock Pin
14	6010088	966526	2	Water Tube for 36" Guard
15	6048155	966738	2	Water Tube Clamp
16	2900308	966378	4	Cap Screw, Flat Hd., M6-1.0 x 16mm
17	1800001	10986206	1	Warning Label
18	1801369H	10989501	1	Blade Guard Size Tag
19	2900639	10989721	2	Rivet, 1/8" Dia.
20	2901358	10993352	1	Flat Washer, M16
21	2900716	10993315	1	Lock Washer, M16 Split
22	2901349	10993343	1	Cap Screw, Hex Hd., M16-2.0 x 110mm
23	6010873	10993447	1	Universal Hinge Assembly

ITEM	PART NO.	SAP NO.	QTY	DESCRIPTION
24	6010871	10989844	2	Hinge Weldment, Universal
25	2900479	10988726	1	Cap Screw, Hex Hd., 3/4-10 x 4"
26	2900467	10988727	1	Lock Nut, 3/4-10 Nylon
27	2901356	10993350	4	Flat Washer, M10
28	2900321	966391	4	Lock Washer, M10 Split
29	2900333	966402	4	Cap Screw, Hex Hd., M10-1.5 x 25mm
30	2503824	10989610	1	Detent Pin, 3/4" x 3" Grip

42" Blade Guard Assembly #6010960

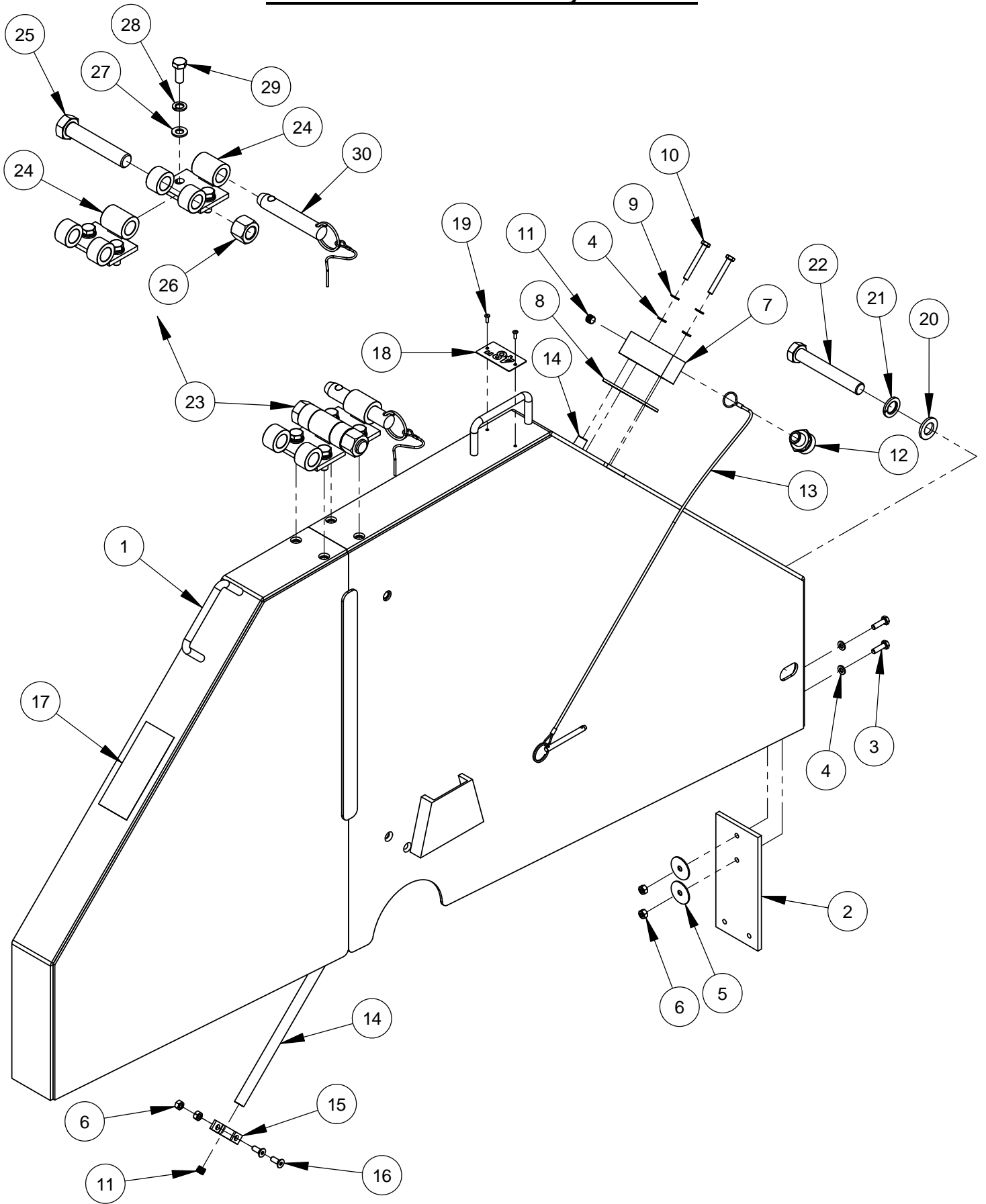


42" Blade Guard Assembly #6010960 (SAP# 10985287)

ITEM	PART NO.	SAP NO.	QTY	DESCRIPTION
1	6010961	10993459	1	42" Blade Guard Front & Rear Only
2	6010081	966520	1	Splash Flap
3	2900310	966380	2	Cap Screw, Hex Hd., M6-1.0 x 20mm
4	2901494	10993370	4	Flat Washer, M6
5	2900083	10987846	2	Fender Washer, 1/4" x 1-1/4"
6	2900302	966373	6	Lock Nut, M6-1.0 Nylon Insert
7	6048123	969159	1	Water Manifold
8	2500829	10987222	1	Water Manifold Gasket
9	2900765	10993321	2	Lock Washer, M6 Split
10	2901355	10993349	2	Cap Screw, Hex Hd., M6-1.0 x 50mm
11	3200001	966415	3	Plug, 1/8" NPT
12	3200002	962621	1	Fitting, 3/8" M. Pipe to 3/4" M. Garden
13	2900280	10989184	1	Lanyard with Lock Pin
14	6010114	966545	2	Water Tube for 42" Guard
15	6048155	966738	2	Water Tube Clamp
16	2900308	966378	4	Cap Screw, Flat Hd., M6-1.0 x 16mm
17	1800001	10986206	1	Warning Label
18	1801369I	10989502	1	Blade Guard Size Tag
19	2900639	10989721	2	Rivet, 1/8" Dia.
20	2901358	10993352	1	Flat Washer, M16
21	2900716	10993315	1	Lock Washer, M16 Split
22	2901349	10993343	1	Cap Screw, Hex Hd., M16-2.0 x 110mm
23	6010873	10993447	1	Universal Hinge Assembly

ITEM	PART NO.	SAP NO.	QTY	DESCRIPTION
24	6010871	10989844	2	Hinge Weldment, Universal
25	2900479	10988726	1	Cap Screw, Hex Hd., 3/4-10 x 4"
26	2900467	10988727	1	Lock Nut, 3/4-10 Nylon
27	2901356	10993350	4	Flat Washer, M10
28	2900321	966391	4	Lock Washer, M10 Split
29	2900333	966402	4	Cap Screw, Hex Hd., M10-1.5 x 25mm
30	2503824	10989610	1	Detent Pin, 3/4" x 3" Grip

48" Blade Guard Assembly #6010962

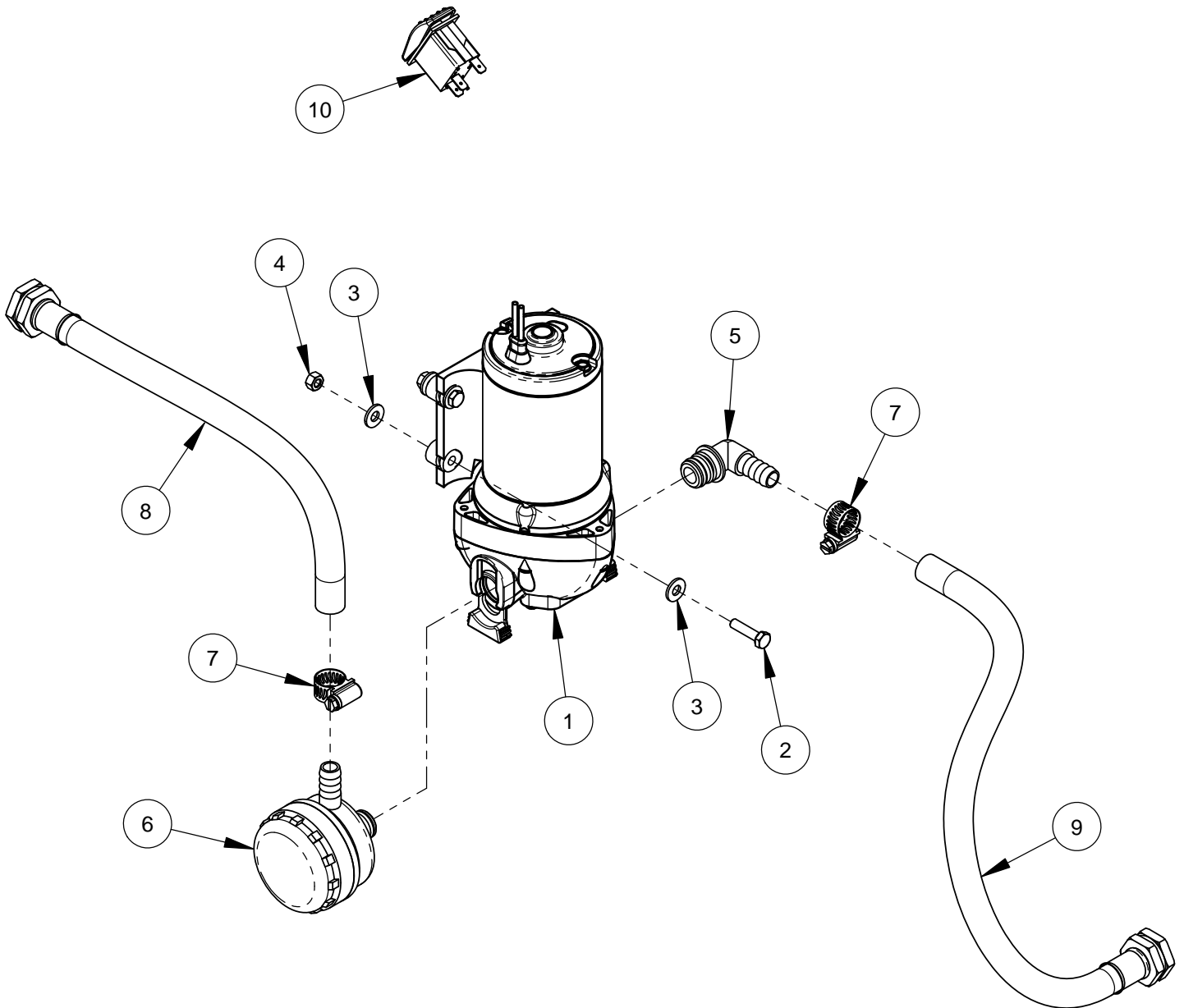


48" Blade Guard Assembly #6010962 (SAP# 10988744)

ITEM	PART NO.	SAP NO.	QTY	DESCRIPTION
1	6010963	10993460	1	48" Blade Guard Front & Rear Only
2	6010081	966520	1	Splash Flap
3	2900310	966380	2	Cap Screw, Hex Hd., M6-1.0 x 20mm
4	2901494	10993370	4	Flat Washer, M6
5	2900083	10987846	2	Fender Washer, 1/4" x 1-1/4"
6	2900302	966373	6	Lock Nut, M6-1.0 Nylon Insert
7	6048123	969159	1	Water Manifold
8	2500829	10987222	1	Water Manifold Gasket
9	2900765	10993321	2	Lock Washer, M6 Split
10	2901355	10993349	2	Cap Screw, Hex Hd., M6-1.0 x 50mm
11	3200001	966415	3	Plug, 1/8" NPT
12	3200002	962621	1	Fitting, 3/8" M. Pipe to 3/4" M. Garden
13	2900281	10989698	1	Lanyard with Lock Pin
14	6010115	966546	2	Water Tube for 48" Guard
15	6048155	966738	2	Water Tube Clamp
16	2900308	966378	4	Cap Screw, Flat Hd., M6-1.0 x 16mm
17	1800001	10986206	1	Warning Label
18	1801369J	10989503	1	Blade Guard Size Tag
19	2900639	10989721	2	Rivet, 1/8" Dia.
20	2901358	10993352	1	Flat Washer, M16
21	2900716	10993315	1	Lock Washer, M16 Split
22	2901349	10993343	1	Cap Screw, Hex Hd., M16-2.0 x 110mm
23	6010873	10993447	1	Universal Hinge Assembly

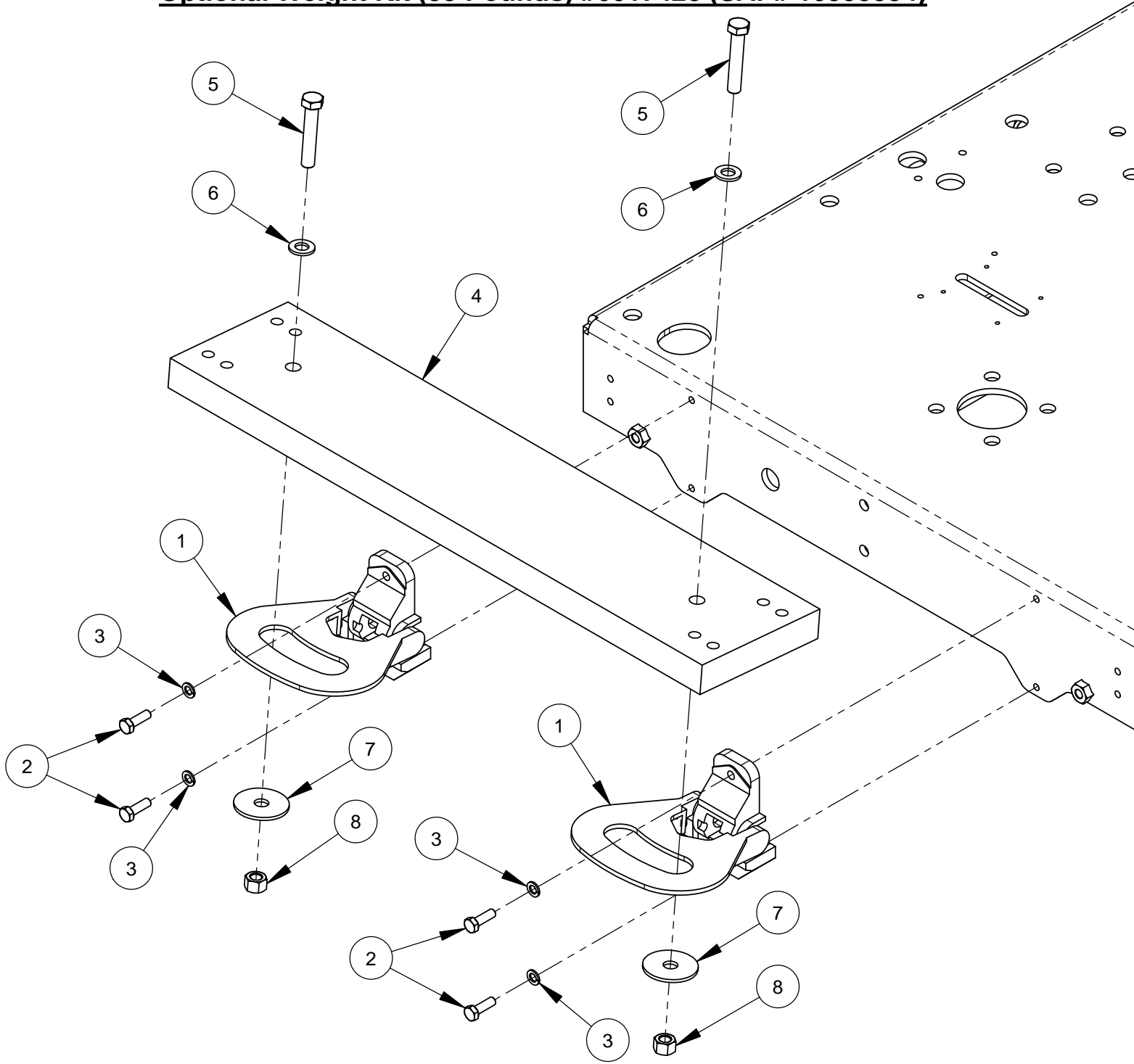
ITEM	PART NO.	SAP NO.	QTY	DESCRIPTION
24	6010871	10989844	2	Hinge Weldment, Universal
25	2900479	10988726	1	Cap Screw, Hex Hd., 3/4-10 x 4"
26	2900467	10988727	1	Lock Nut, 3/4-10 Nylon
27	2901356	10993350	4	Flat Washer, M10
28	2900321	966391	4	Lock Washer, M10 Split
29	2900333	966402	4	Cap Screw, Hex Hd., M10-1.5 x 25mm
30	2503824	10989610	1	Detent Pin, 3/4" x 3" Grip

Optional Water Pump Assembly #6017183 (SAP# 10989944)



ITEM	PART NO.	SAP NO.	QTY	DESCRIPTION
1	2600655	10993242	1	Water Pump, 12V Diaphragm
2	2900311	966381	4	Cap Screw, Hex Hd., M6-1.0 x 25mm
3	2900009	966270	8	Flat Washer, 1/4" SAE
4	2900302	966373	4	Lock Nut, M6-1.0 Nylon Insert
5	2701694	10989626	1	Port Fitting, 1/2" Barb x 90 Degree
6	2703198	10989628	1	Inlet Strainer
7	3200016	966420	2	Hose Clamp #8
8	6017195	10989960	1	Water Hose Assembly 14"
9	6010303	10989829	1	Water Hose Assembly 60"
10	2800808	10989667	1	Rocker Switch

Optional Weight Kit (55 Pounds) #6017428 (SAP# 10993554)



ITEM	PART NO.	SAP NO.	QTY	DESCRIPTION
1	2503798	10989603	2	Foot Rest, Folding
2	2900360	10993291	4	Cap Screw, Hex Hd., M8-1.25 x 25mm
3	2900763	10993320	4	Lock Washer, M8 Split
4	6013042	966605	1	Saw Weight, 55 Pound
5	2900359	10993290	2	Cap Screw, Hex Hd., M12-1.75 x 65mm
6	2901357	10993351	2	Flat Washer, M12
7	2900854	10989742	2	Fender Washer, 1/2" x 2"
8	2900327	966396	2	Lock Nut, M12-1.75 Nylon Insert