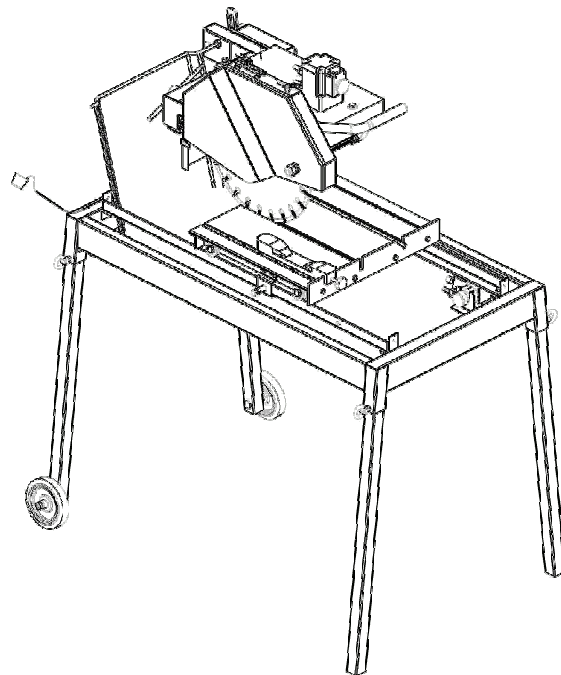


Operating Instructions

TBE350 ★★ Table Saw

Index / Indice «001»



Manufacturer's address:

TYROLIT Hydrostress AG

Witzbergstrasse 18

CH-8330 Pfäffikon

Switzerland

Tel. +41 (0)44 952 18 18

Fax +41 (0)44 952 18 00

www.hydrostress.com

TYROLIT Hydrostress AG reserves the right to make technical changes without prior notice.

Copyright © 2003 TYROLIT Hydrostress AG, CH-8330 Pfäffikon ZH, Switzerland

All rights reserved, in particular copyrighting and translating rights.

Printing of this operating manual, including extracts from it, is prohibited.

No parts of it may be reproduced in any form or processed using electronic systems, duplicated or disseminated without the written permission of TYROLIT Hydrostress AG.

TBE350** Owner manual text

TABLE OF CONTENTS

Contents.....	3
Safety precautions.....	4
General safety rules.....	5
Health warnings.....	5
Unpack, assembly & set-up.....	6
Diamond blade installation.....	6
Inspection & specification.....	7
Features.....	8
Cutting table assembly.....	9
The rip guide.....	10
Cutting depth.....	10
Water pump installation.....	11
Slide-In legs.....	12
Electric motor specifications.....	13
Do's & Don'ts for blades.....	14
Saw maintenance.....	15
Troubleshooting.....	16
Customer service.....	19
Contact us.....	19
Warranty.....	20
Spare parts list.....	21
Explode view.....	22

SAFETY PRECAUTIONS

Saw blade should be inspected daily for excessive wear, core cracks, and arbor damage. Replace any blade that shows signs of damage.

- To mount blade, clean arbor and outer flanges, tightening nut securely.
- DO NOT place any portion of body in line with blade while it is rotating.
- To reduce risk of electrical shock, it is recommended to use GFCI and refer servicing to qualified professional.

We recommends the use of these safety items when operating the saw:

	USE PROPER GROUND CIRCUIT !
	USE BLADE GUARD WHEN OPERATING SAW !
	ALWAYS WEAR SAFETY GEAR !

GENERAL SAFETY RULES

- Never use the machine improperly or work in an unsafe manner.
- Always wear safety goggles, dust mask, and ear protection while operating the saw (to comply with ANSI-Z87.1).
- Always remain alert when the saw is in use. Failure to pay attention on the operator's part may lead to serious injury.
- Before you start working, familiarize yourself with the work site and its surroundings. Take notice of circumstances, which may impede working or traffic, observe soil conditions (good bearing or not), and take measures to ensure safety (i.e. the shielding of road works from public traffic).
- Take measures to ensure that the machine is in a safe and trouble-free condition prior to usage. Use the machine only when all protective devices (i.e. guards, noise absorbers, emergency-off devices) are operating in the intended locations.
- A visual check of the machine must be made at least once a shift to ensure that visible damages or faults are recognized. Any changes (including changes in the performance or behavior of the machine) must be reported to the supervisor. If necessary, stop the machine at once and secure it.
- In the case of a malfunction, stop the machine immediately and secure it. Fix the problem as soon as possible.
- For starting and stopping the machine follow the operating instruction steps and observe any indicator lights.
- Before switching the machine on make sure that the activated machine will be of no danger to anyone.
- Be sure to connect the plug to a properly grounded receptacle to reduce the risk of electric shock.

HEALTH WARNINGS

Some dust are created by power sanding, sawing, grinding, drilling, and cause other construction activities contains chemicals known to cause cancer, birth defects or other reproductive harm. Some examples of these chemicals are:

- Lead from lead based paints.
- Crystalline silica from bricks and cement and other masonry products.
- Arsenic and chromium from chemically-treated lumber.

Your risk from these exposures varies, depending on how often you do this type of work. To reduce your exposure to these chemicals: work in a well ventilated area, and work with approved safety equipment, such as those dust masks that are specially designed to filter out microscopic particles.

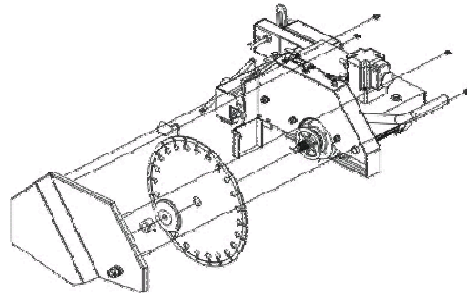
UNPACKING, ASSEMBLY & SET-UP

Open the container, carefully lift the saw frame handles and place it on a flat, level working area. Be certain that you have the following items before you discard the container:

- Saw
- 45° / 90° rip guide
- Universal wrench
- Owner's manual

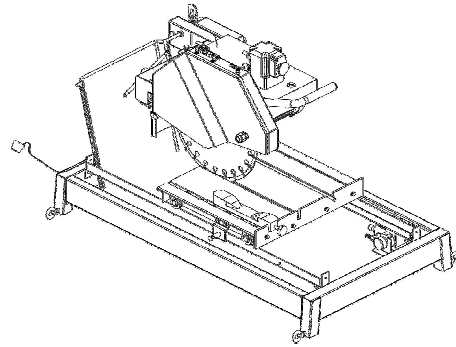
DIAMOND BLADE INSTALLATION

1. Move the blade shaft cover upwards. To remove the blade lock nut, open the shaft space.
2. Place the blade onto the blade shaft. Make sure that the directional arrow is pointing in the direction of the shaft rotation
3. Lock the blade lock nut with the outer flange. Use the multiple wrench provided to fasten the blade tightly



INSPECTIONS & SPECIFICATION

The compact TBE350** table saws are shipped completely assembled and ready for use except for the diamond blade. Inspect the saw for shipping damage. If any damage is found, contact the shipper immediately and file a freight claim. We are not responsible for any freight related damages. Remove the saw from the shipping container.



TBE350** SPECIFICATIONS	
Power	2,2 kW
Volts	230 V (110 V)
Amps	10 A (20)
Cycles	50 Hz (60 Hz)
Blade Shaft Speed	2,800 rpm
Max. Blade Size	15,7" / 400 mm
Arbor Size	1" / 25,4 mm
Max. Cutting Length	23,6" / 600 mm
Length	1140 mm
Width	640 mm
Hight	1230 mm
Wight	79 Kg

NOISE LEVEL AND VIBRATIONS	
Parameter	Wert
Noise level at the ear of the user (Leq)	81.9 dB(A)*
Noise level at workplace (LPA)	69.3 dB(A)*
Sound power level in acc. ISO 3744 (LwA)	89.3 dB(A)*
Vibrations DIN EN ISO 5349-2	< 2.5 m/s ²

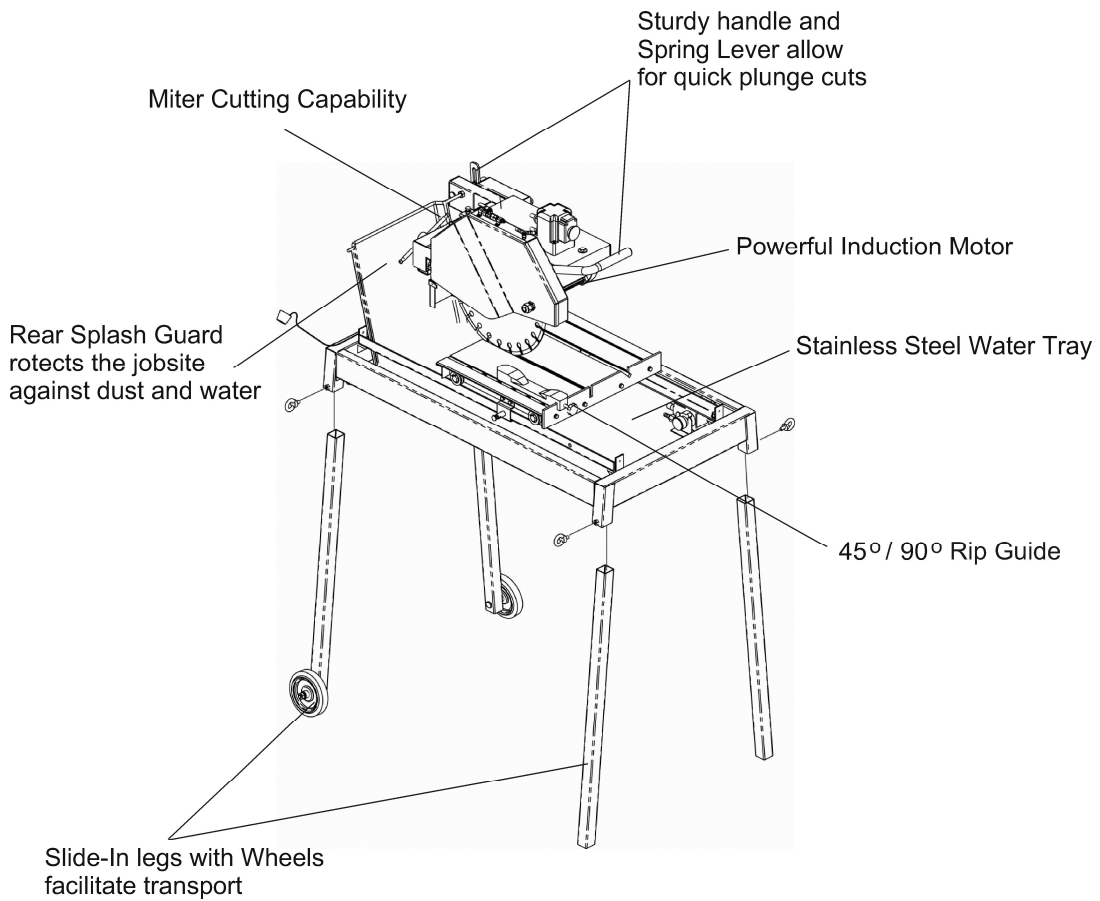
*Value applies under the following condition: With Sawblade Ø350mm Type EB No. 5696.

Higher noise levels may be generated in cutting operation.

ATTENTION! Hearing protection must be worn when 90 dB(A) is exceeded!

FEATURES

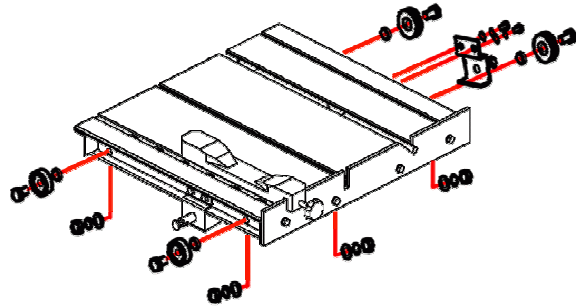
The TBE350** table saw is designed for the professional contractor in mind. It enhances performance with a multitude of features facilitating operation.



CUTTING TABLE ASSEMBLY

To install the cutting table to the machine:

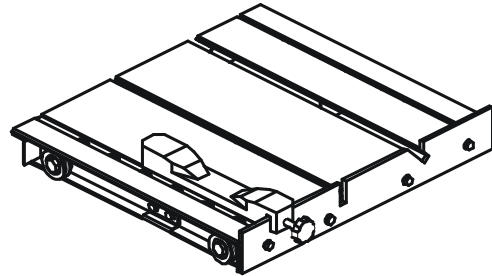
1. Set the cutting table on the rails
2. Install the screw and brackets to the cutting table
3. To remove the cutting table do the reverse of the above two steps.



THE CUTTING TABLE

Features:

- The heavy-duty cutting table with steel wheels provides the durability to handle large materials.



Only use the Ø14" (350 mm) blade for this saw. Setting smaller size of diamond blade may grab the material being cut, causing damage and possibly injury.

	<p>USE PROPER GROUND CIRCUIT !</p>
	<p>USE BLADE GUARD WHEN OPERATING SAW !</p>
	<p>ALWAYS WEAR SAFETY GEAR !</p>

THE RIP GUIDE

Steps to use the 45° / 90° rip guide

1. Set the rip guide by positioning it on the desired dimension and tighten the threaded knob. Make sure that the rip guide is firmly tightened to avoid slippage. The rip guide can be used for 90° rip cuts and 45° angle cuts from both the left and right side. (Note the straight and 45° angled slits on the bottom of the rip guide)
2. After the rip guide is positioned for the desired cut, place material flat against the rip guide and the measurement rail. After the rip guide is positioned for the desired cut, place material flat against the rip guide and the measurement rail. For 45° rip cuts, place the corner of material in the open slot of the measurement rail.
3. Simply line up the material being cut with the appropriate pre-marked lines on the cutting table.
4. Now you are ready to make your cut

CUTTING DEPTH

The recommended cutting depth is ¼" below the cutting table surface. The cutting clearance has been fixed from original designed.

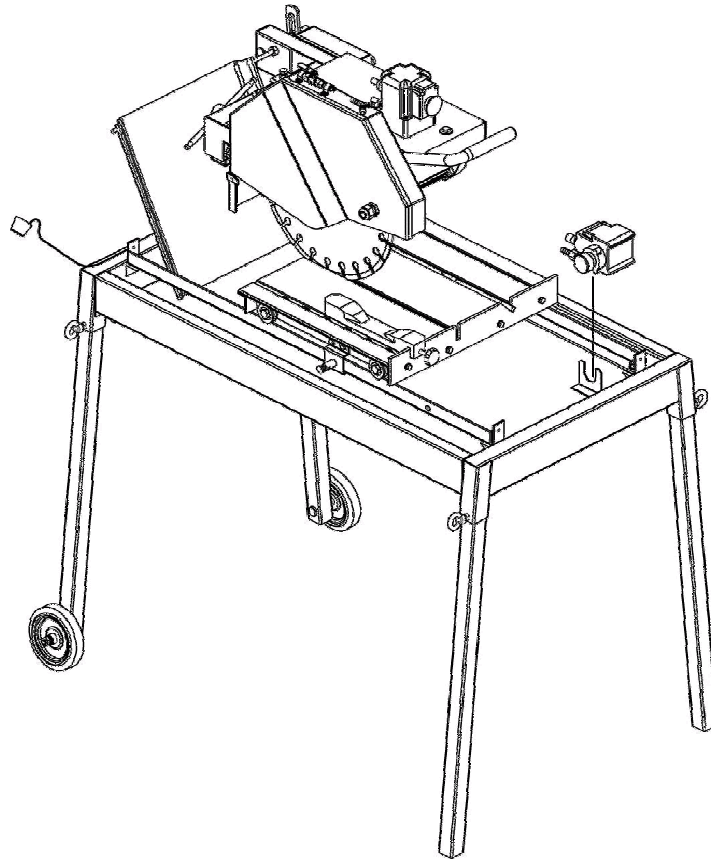


Only use the Ø14" (350 mm) blade for this saw. Setting smaller size of diamond blade may grab the material being cut, causing damage and possibly injury.

max. Blade Diameter 400 mm	max. Cutting Depth 120 mm
-------------------------------	------------------------------

WATER PUMP INSTALLATION

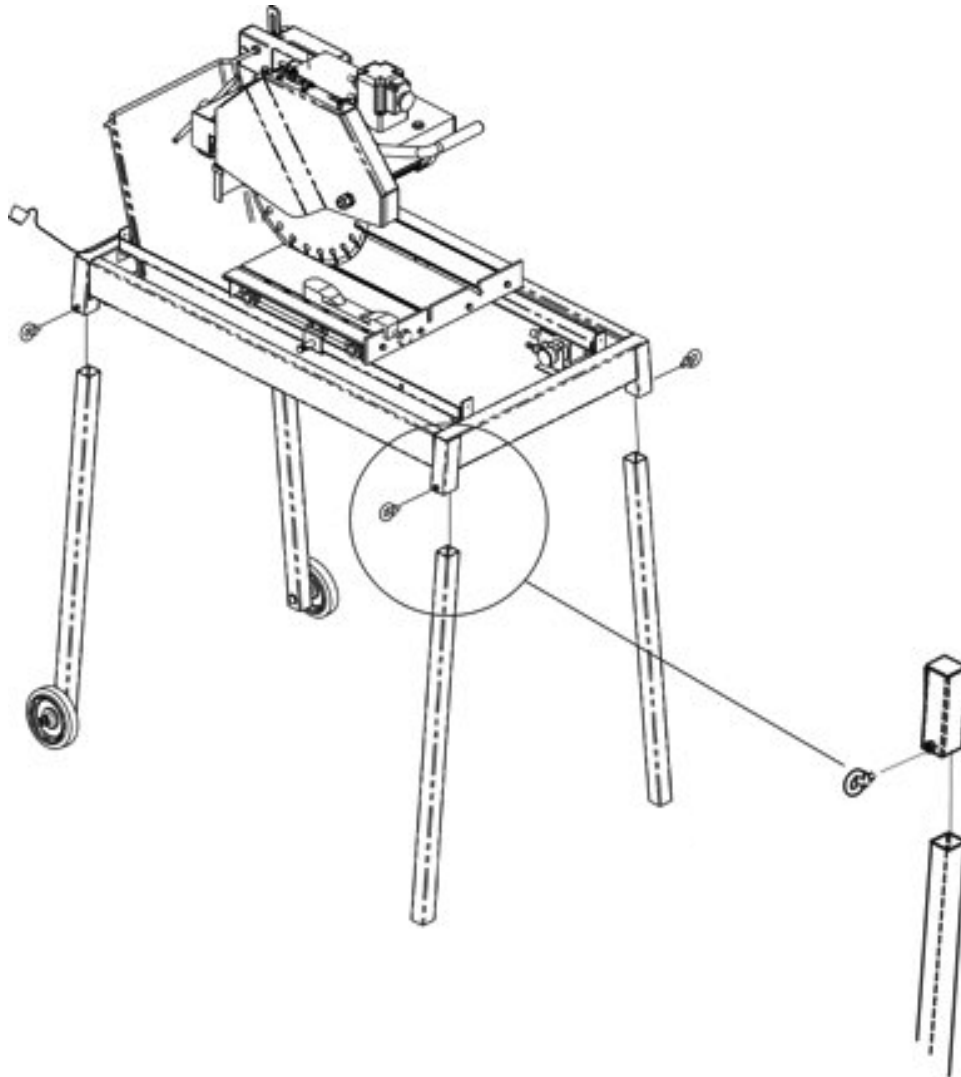
1. Remove the water pump from the box and check that it is not damaged.
2. Place the pump into the middle of the water tray along its side so that the water outlet is positioned horizontally. Connect the water hose from the blade guard to the pump and plug the power cord into the 3-prong receptacle.
3. Fill the water tray so that the water intake is fully immersed.
4. Be sure to support the pump during installation to prevent pump failure or damage.



Disconnect the pump before attempting to handle the pump.
Never operate pump without water in the tray

SLIDE-IN LEGS

1. Slide each of the four legs into the housing at the four corners of the saw frame.
2. After sliding the leg as far as possible, lock the leg in place with the ring bolt located on the leg housing.



ELECTRICAL MOTOR SPECIFICATIONS

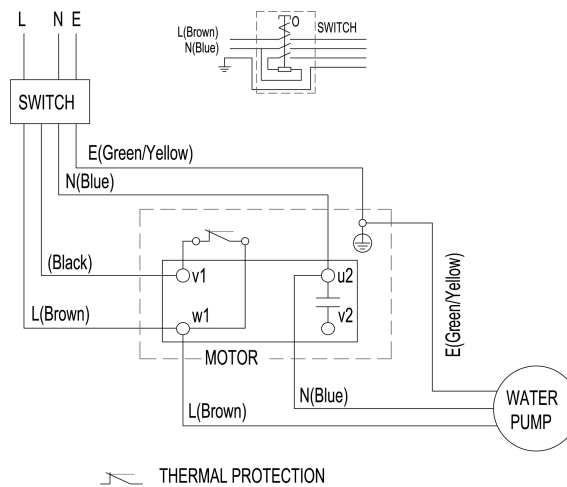
Features:

Power	2,2 kW
Volts	230 V (110 V)
Amps	15 Amps (30A)
otor RPM	2800 RPM
Cycle	50 Hz (60 Hz)

Recommendations:

It is recommended that a 15 A (30 A) CIRCUIT be used while operating this saw. This will prevent any loss of power or interruption.

Always plug saw as close as possible to the power source while operating. This will allow you to receive optimum electricity.



To avoid permanent motor damage you must use the correct extension cord. Never use more than one extension cord at a time. Follow the chart for proper size:

Wiregauge	Length of cord 2,2 kW – 230 V (110V)
Ø5 mm (Ø10 mm)	8 m
Ø8 mm (Ø16 mm)	15 m
Ø15 mm (Ø32 mm)	20 m

DO'S AND DON'TS FOR BLADES

WET CUT BLADES

DO'S

- Inspect blades daily for cracks or uneven wear.
- Always use appropriate blade for material being cut.
- Inspect arbor shaft for uneven wear before mounting blade.
- Always use blades with the correct arbor shaft size.
- Ensure that blade is mounted in the correct direction.
- Secure the blade to the arbor with a wrench.
- Use proper safety equipment when operating the saw.
- Periodically check the blade for cracks or bond fatigue.
- Always have a continuous flow of water on both sides of blade.

DON'TS

- Do not operate the saw without safety guards in position.
- Do not operate the saw with blades larger than Ø 15,7" (400 mm)
- Do not cut dry with blades marked "Use Wet".
- Do not exceed manufacturer's recommended maximum RPM.
- Do not force blade into material let blade cut at its own speed.

DRY CUT BLADES

DO'S

- In addition to the following, always follow wet recommendations.
- Use appropriate blade for material being cut.
- Inspect segment blades for segment cracking or loss.
- Do not use damaged blades.
- Use proper safety equipment when operating the saw.

DON'TS

- In addition to the following, always follow wet recommendations.
- Do not make long cuts with dry blades--allow them to air cool periodically.
- Do not use the edge or side of blade to cut or grind.
- Do not attempt to cut a radius or curve.
- Do not cut too deep or too fast into the material.
- Do not cut any material not recommended by blade manufacturer.

SAW MAINTENANCE

Maintenance interval	Wath to do for maintenance and care
After ecery use ot the machine	<ul style="list-style-type: none"> - Remove dirty water from container. - Remove dirt and mud from the bottom of the container - Rinse teh immersion pump with fresh water to prevent water pump dogging from residual dirt.
After wet clearing and before using the machine again	Connect the machine to an electric power outlet equipped with a“GFI” safety power breaker. If the safety power breaker cuts off the electrical power supply, do not try to operate the machine but have it checked by an authorized dealer first.
Before not using the machine for a prolonged period of time	Clean and lubricate all movable part.
Before not using the machine for a prolonged period of time	<ul style="list-style-type: none"> - Check that the stand is safely fixed. - Check that all screw joints and nuts are fixed. - Check that the roller table is in its guides and that it easliy moves to and fro. - With the saw blade removed, switch on the motor for an instant and switch it off again. If the motor does not run, have the machine inspected by a qualified electrician. - Check that the immersion pump works properly. Turn on the cooling water tap and switch the machine on. If the pump does not give any water or only a little, switch the machine off at once. Clean the pump, or replace of necessary.
Ambient temperture below 0°C (operation in winter)	To prevent the water in the pump and cooling system from freezing, remove the water after using the machine or when there will be a long break. Make sure that the cooling system is entirely drained so that there is no water left inside the pump, water hose and bearing housing



For your safety, before performing any maintenance on the saw turn off the power switch and unplug the power card

TROUBLESHOOTING

Problem	Possible cause	Solution
Machine does not run when switched on	Power cord not properly fixed / plugged in	Check that the machine is properly connected to the power supply.
	Power cord defective	Have the power cord checked, replace if necessary.
	Main power switch defective	Have the main power switch checked and replace if necessary by a qualified electrician.
	Loose electrical connection inside the electric system	Have the whole electric system of the machine checked by a qualified electrician.
	Motor defective	Have the motor checked and replace if necessary by a qualified technician.
Motor stops (power cut out)	To much pressure exerted while cutting	Exert less pressure when cutting
	Incorrect specification for saw blade	Use a saw blade which corresponds to the material being cut
	Saw has a defective electric system	Have the electric system of the saw checked by a qualified technician
Poor machine performance little power	Power cord/extension cable too long or cable still wound up inside cable drum	Use a power cord/extension cable of the rated length, use a cable drum with cable fully extended
	Power network is insufficient	Observe the electrical ratings of the machine and connect it only to a power network which complies with these ratings
	Drive motor no longer runs at rated speed (r.p.m.)	Have the motor checked by a qualified electrician and have it replaced if necessary

TROUBLESHOOTING

Problem	Possible Cause	Solution
Irregular run of the saw blade	Poor tension in the blade material	Return the saw blade to the manufacture
Saw blade wobbles when running	Saw blade is damaged or bent	<ul style="list-style-type: none"> - Have the saw blade aligned/flattened - Clean the receiving flange - Solder the diamond segments of the old blade onto another swa blade or use a new blade
	Flange of the saw blade is damaged	Replace the saw blade flange
	Shaft of the motor is bent	Replace the electric motor
Diamond segment becomes loose	Overheating of the saw blade, cooling water not sufficient	Have the diamond segment soldered on the blade again, ensure optimum flow of cooling water
Excessive wear	Wrongtype of saw blade	Use harder saw blades
	Shaft of motor causes wobbling	Have bearings of the motor or the motor replaced
	Overheating	Ensure optimum flow of cooling water
Cracks in or near the diamond segment	Saw blade too hard	Use a softer blade
	Fixed flange is worn out	Have the fixed flange replace
	Motor shaft bearing	Replace the bearing of the motor shaft

TROUBLESHOOTING

Problem	Possible cause	Solution
Saw blade is blunt	<ul style="list-style-type: none"> - Saw blade type is unsuitable for the material being cut - Saw blade type is unsuitable for the machine performance - Saw blade too hard 	Use appropriate type of saw blade
	Diamond segments are blunt	Sharpen the diamond saw blade
Appearance of cut is not optimal	Poor tension in the blade material	Return the saw blade to the manufacture
	Too much load placed on the saw blade	Use a suitable saw blade
	Diamond segments are blunt	Sharpen the saw blade
The center hole in the saw blade has become wider due to wear	The saw blade has slipped on the motor shaft when running	The arbor of the saw blade must be fitted with an appropriate adapter ring
		Check the receiving flange and have it replaced if necessary
Saw blade shows blooming colors	Lateral friction when cutting	The material feed is too high; proceed more slowly
Grinding marks on the saw blade	Material is not being feed parallel to the saw blade	Ensure that the direction of feed is absolutely parallel to the saw blade
		Adjust the roller table/have it adjusted
	Poor tension in the blade material	Have the saw blade tensioned
	Too much load on the saw blade	The material feed is too high, proceed more slowly

CUSTOMER SERVICE

AFTER SALE SERVICE

All customer service (technical questions, re-order of parts, etc.) will be provided by us.

CLAIMS FOR LOST OR DAMAGED GOODS

If merchandise is delivered in damaged condition or cartons are missing, a notation must be placed on all papers signed by the receiver. If unreported or concealed damages are noticed after delivery, the carrier should be contacted by telephone and if carrier fails to send an inspector within five days, a request should be made in writing to the carrier, confirming the telephone request for an inspection.

All requests for credit due to transportation loss or damage should be accompanied by properly signed papers. A claim for loss or damage must be filed with the carrier within 60 days from the shipping date for UPS or other common carriers. Credit cannot be allowed for damage claims that are not properly substantiated with supporting papers or received by us too late for timely filing with the carrier.

CONTACT US

We pride ourselves on our customer service. If you have any questions regarding our products, whether it may be product inquiry or troubleshooting, please don't hesitate to contact us at our corporate office. We will do our best to answer your questions. In some cases we may even refer you to a local sales representative that can better service you.

WARRANTY

For a period of one (1) year from the original date of purchase, if the product is determined to be defective, we will repair or replace the product, at its option, at no charge to the customer, or pay the associated repair costs to an authorized service facility. All replacement parts, new or rebuilt, supplied at our option for repairs will be warranted for the remainder of the original warranty period of one (1) year. All defective products or components replaced under this limited warranty will become our property. This limited warranty excludes all components not manufactured by OUR COMPANY, which are listed below with their corresponding independent warranty periods. Such components are warranted by their respective manufacturer, whose warranty will be the governing warranty for that particular product.

Excluded Components	Manufacturer's Warranty
Electric Motors	1 Year

EXCLUSIONS FROM WARRANTY

We cannot assume responsibility for claims arising from abuse of the our product:

- Due to abuse by the Purchaser in their processing.
- Due to improper installation practices or procedures.
- Due to abuse or improper usage by the end-user.
- Due to contaminants, including, but not limited to, exposure to salt or fresh water, chemicals and any other form of contamination from a source outside of our control.

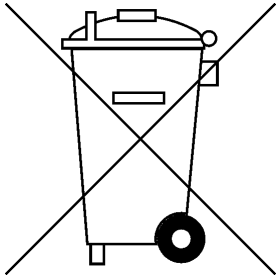
LIMITED WARRANTY

This product is covered by a one year warranty from the date of purchase. If the product is defective in workmanship or material, TYROLIT Hydrostress AG will repair and /or replace it free of charge upon returning the product to distributor/dealer in its original packaging.

This warranty does not cover normal wear or damage resulting from operator abuse. TYROLIT Hydrostress AG obligations under this warranty shall be limited to the repair and/or replacement of the product. TYROLIT Hydrostress AG shall not be liable for consequential damages resulting from the improper use of the product. This warranty is void if the product or any of its components are modified, altered, or in any way changed. Selected components such as motor/engines are excluded from this warranty and are subject to the manufacturer's warranty. This warranty is in lieu of all warranties expressed or implied.

DISPOSAL

GENERAL



The operator can recycle or dispose of the Table saw himself provided he observes the statutory provisions. In order to dismantle the Table saw correctly and to properly remove the materials some knowledge in the area of mechanics and knowledge about differentiation of waste materials is necessary.

If during correct disposal doubts arise that represent a hazard for persons or the environment, the after-sales service of TYROLIT Hydrostress AG will be happy to provide information.



DANGER

Voltage warning

Before working in an area identified in this way, the installation or device must be fully disconnected from the power (voltage) and secured against being accidentally powered up again.

Failure to heed this warning may lead to death or serious injury.

PERSONNEL QUALIFICATIONS

Only personnel with basic technical training and who are in a position to identify the various material groups should be involved in disposal.

DISPOSAL REGULATIONS

The normal local and regional rules and guidelines must be observed when disposing of the machines making up the Table saw.

DISPOSAL OF TABLE SAW

DISPOSAL REGULATIONS

The dismantled parts of the table saw are sorted by material and sent separately to the appropriate collection points. Ensure that the following parts in particular are properly disposed of.

The Table saw consists of the following materials:

Cast aluminium	Rolled aluminium products
Bronze	Steel
Rubber	Rubber / Nylon fabric
Synthetic grease	Plexiglas

OBLIGATION OF NOTIFICATION

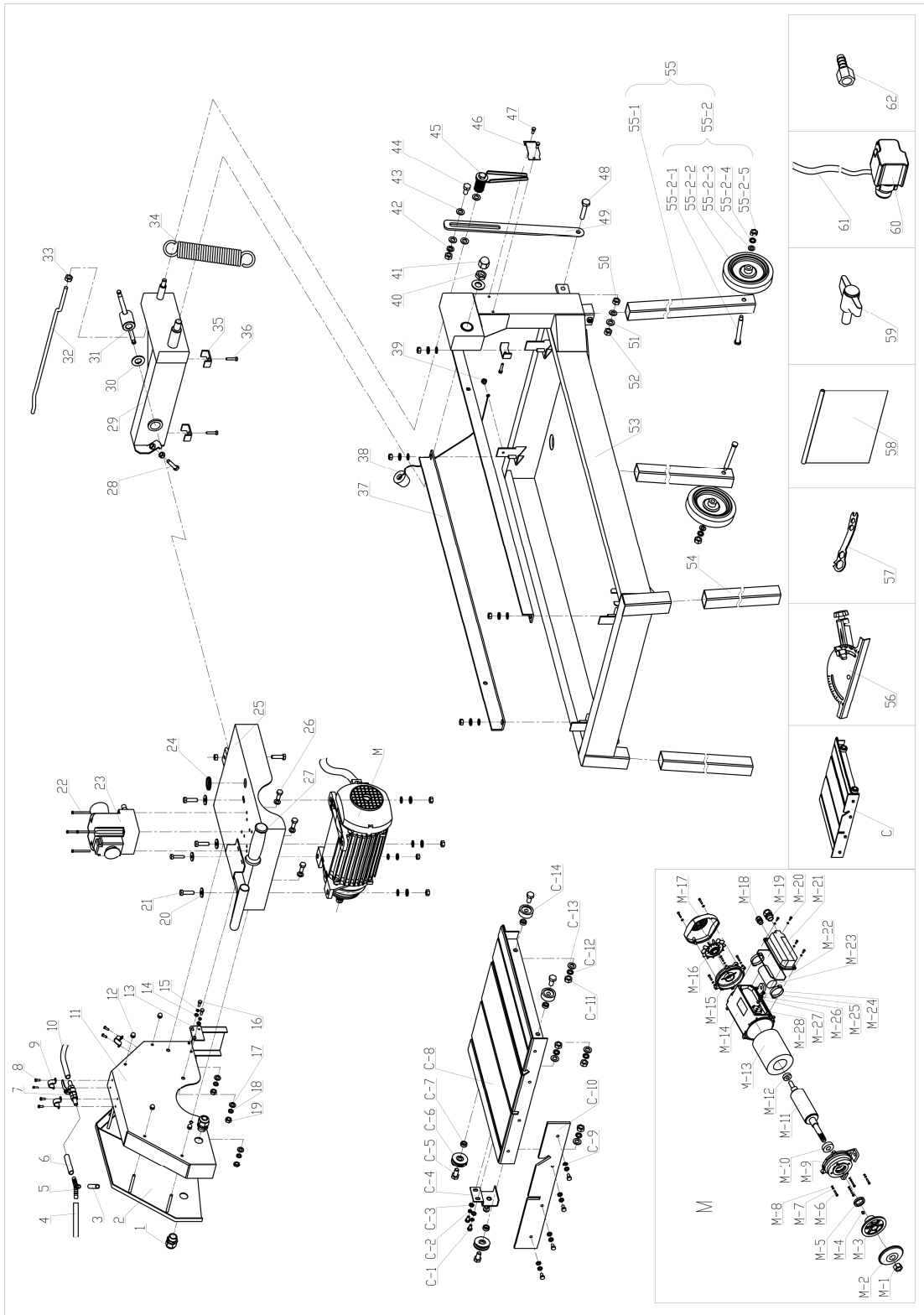
When a Table saw is taken out of service and disposed of the manufacturer TYROLIT Hydrostress AG or the corresponding service centre must be informed of this.

TBE350** Spare Parts List

Pos.	Art. No.	Descriptions	Bezeichnung	
1	10985467	Cord Grip(PG13.5)	Kabelverschraubung (PG13.5)	2
2	10981926	Outer Blade Guard	Blattschutz aussen	1
3	10988403	Hose 350mm	Schlauch 350mm	1
4	10988404	Hose 320mm	Schlauch 320mm	1
5	10981928	Water Flow "Y" Adapter	Y-Schlauchnippel	1
6	10988405	Hose 100mm	Schlauch 100mm	1
7	10981929	Water Valve	Wasserventil	1
8	10997725	Pan screw M4x8	Zylinderk.schr. KS M4x8	6
9	10985471	Hose Clip	Schlauchklemme	3
10	10988406	Hose 1850mm	Schlauch 1850mm	1
11	10981927	Inner Blade Guard	Blattschutz innen	1
12	10991769	Cap nut hex M6	Hutmutter 6kt. M6	4
13	10981931	Water Splash Guard	Spritzschutz	1
14	10995464	Washer M5 5.3/10/1.0	U-Scheibe M5 5.3/10/1.0	2
15	971627	Spring washer M5 DIN 127A	Federring M5 DIN 127A	2
16	979330	Hex. screw M5x12	6kt-Schraube M5x12	2
17	10995417	Washer M8 8.4/16/1.6	U-Scheibe M8 8.4/16/1.6	14
18	971630	Spring washer M8 DIN127 A	Federring M8 DIN 127 A	11
19	971847	Hexagon nut M8	Mutter 6kt. M8x0,8d	13
20	10985662	Flat Washers 8x30x3	U-Scheibe 8x30x3	4
21	971901	Hex. screw M8x30	6kt-Schraube M8x30	4
22	10997726	Pan screw M4x45	Zylinderk.schr. KS M4x45	4
23	10986216	Switch	Schalter	1
24	10981934	Rubber Sleeve	Gummitülle	1
25	10981932	Motor Bracket	Motorhalter	1
26	971898	Hex. screw M8x20	6kt-Schraube M8x20	3
27	10997727	Rubber Handle	Gummigriff	1
28	984544	Hex. screw M8x35	6kt-Schraube M8x35	2
29	10981938	Rotation Bracket	Drehhalter	1
30	971966	Washer M16 17/30/3	U-Scheibe M16 17/30/3	2
31	10985646	Lock Handle	Arretiergriff	1
32	10986218	Splash Guard Hanger	Spritzschutzhalter	1
33	971848	Hexagon nut M10	Mutter 6kt. M10	2
34	10985638	Spring	Feder	1
35	10985631	U Style Clip For Cable	Kabelclip U-förmig	3
36	10995486	Hex. screw M5x25	6kt-Schraube M5x25	3
37	10986219	Rail	Führungsschiene	2
38	10981946	Drain Plug	Ablaszapfen	1
39	10997732	Hex. screw M5x8	6kt-Schraube M5x8	1
40	10997733	Hexagon nut M16 x0.5D	Mutter 6kt. M16x0.5d	1
41	10997734	Cap nut hex M16	Hut-Mutter 6kt. M16	1
42	971631	Spring washer M10 DIN127	Federring M10 DIN 127A	1
43	10996275	Washer dia 10,5/30/2,5	U-Scheibe Dm 10,5/30/2,5	4
44	971906	Hex. screw M10x25	6kt-Schraube M10x25	1

Pos.	Art. No.	Descriptions	Bezeichnung	
45	10985483	Lock Handle	Arretiergriff	1
46	10985633	Wrench Storage	Werkzeughalter	1
47	10995471	Hex. screw M5x10	6kt-Schraube M5x10	2
48	979340	Hex. screw M12x60	6kt-Schraube M12x60	1
49	10981945	Cutting Height Lock Bar	Schnitthöhenarretierung	1
45	10985483	Lock Handle	Arretiergriff	1
46	10985633	Wrench Storage	Werkzeughalter	1
47	10995471	Hex. screw M5x10	6kt-Schraube M5x10	2
48	979340	Hex. screw M12x60	6kt-Schraube M12x60	1
49	10981945	Cutting Height Lock Bar	Schnitthöhenarretierung	1
50	971849	Hexagon nut M12	Mutter 6kt. M12	1
51	979360	Washer dia 13/30/3	U-Scheibe Dm 13/30/3	2
52	979309	Lock nut M12 thin head	Stop-Mutter M12 nied.Form	1
53	10986220	Frame	Rahmen	1
54	10985641	Straight Leg	Gerades Bein	2
55	10985653	Leg With Wheel	Bein mit Rad	2
55-1	10985654	Leg	Bein	2
55-2	10997728	Wheel Complete Set	Rad kompl.	2
55-2-1	10997729	Wheel Shaft	Radachse	2
55-2-2	10997730	Wheel	Rad	2
55-2-3	10995417	Washer M8 8.4/16/1.6	U-Scheibe M8 8.4/16/1.6	2
55-2-4	971630	Spring washer M8 DIN127 A	Federring M8 DIN 127 A	2
55-2-5	971847	Hexagon nut M8	Mutter 6kt. M8x0,8d	2
56	10986225	Rip Guide	Winkelführung	1
57	10985640	Multiple wrench	Multifunktionswerkzeug	1
58	10986217	Back Splash Guard	Rückspritzschutz	1
59	10994391	Knurled screw 25 / M8x16	Rändelschraube 25 / M8x16	4
60	963197	Water Pump (230v/50Hz)	Wasserpumpe (230V/50Hz)	1
61	10988407	Hose 1750mm for Pump Cable	Schlauch 1750mm	1
62	10981951	Pump Adapter	Pumpenhalter	1
C	10997731	Cutting Table Complete Set	Schneid Tisch kompl.	1
C-1	10995477	Hex. screw M6x16	6kt-Schraube M6x16	6
C-2	971628	Spring washer M6 DIN 127A	Federring M6 DIN 127 A	6
C-3	10995427	Washer M6 6.4/12/1.6	U-Scheibe M6 6.4/12/1.6	6
C-4	10985642	Cutting Table Locking Assembly	Schneid Tisch Arretierung	1
C-5	962850	Hex. screw M10x35	6kt-Schraube M10x35	4
C-6	10981959	Guide Wheel With Bearing	Führungsrolle mit Lager	2
C-7	10985637	Washer 16x10.2x6.5	Distanzscheibe	4
C-8	10986224	Cutting Table	Schneid Tisch	1
C-9	10997735	Extra-Thick Internal Tooth 6	Zahnscheibe innen 6	4
C-10	10981958	Cutting Table Fence	Schnittschranke	1
C-11	971848	Hexagon nut M10	Mutter 6kt. M10	4
C-12	971631	Spring washer M10 DIN127A	Federring M10 DIN 127A	4
C-13	971963	Washer M10 10.5/20/2	U-Scheibe M10 10.5/20/2	4
C-14	10981954	Flat Wheel With Bearing	Rolle flach mit Lager	2

Pos.	Art. No.	Descriptions	Bezeichnung	
M	10981961	Motor Complete 2.2KW	Elektromotor kompl. 2.2KW	1
M-1	977631	Hex. nut M20x0.8d left	Mutter 6kt.M20x0.8d links	1
M-2	10985472	Outer Flange	Aussenflansch	1
M-3	10986226	Inner Flange	Innenflansch	1
M-4	10995558	Key 5x10	Federkeil 5x10	1
M-5	10997701	Shaft Seal $\Phi 47 \times \Phi 25 \times 12$	Wellendichtring $\Phi 47 \times \Phi 25 \times 12$	1
M-6	10995540	Screw M5x25	Schraube M5x25	10
M-7	971627	Spring washer M5 DIN 127A	Federring M5 DIN 127A	12
M-8	10995464	Washer M5 5.3/10/1.0	U-Scheibe M5 5.3/10/1.0	10
M-9	10997702	Front Cover	Frontdeckel	1
M-10	10997709	Bearing 6205(NSK)	Rillenkugellager 6205	1
M-11	10997710	Rotor	Rotor	1
M-12	10992268	Bearing 6202(NSK)	Rillenkugellager 6202	1
M-13	10997711	Stator	Stator	1
M-14	10997703	Motor Housing	Motorgehäuse	1
M-15	10997704	End Cover	Abschlussdeckel	1
M-16	10997705	Fan	Lüfter	1
M-17	10997706	Fan Cover	Lüfterabdeckung	1
M-18	10995538	Cord Grip(PG9)	Kabelverschraubung (PG9)	1
M-19	10985467	Cord Grip(PG13.5)	Kabelverschraubung (PG13.5)	1
M-20	10995520	Lenshead screw M5x16	Linsenschr. KS M5x16	4
M-21	10997712	Capacitor Cover	Kondensatorabdeckung	1
M-22	10995564	Rubber Seal	Gummidichtung	1
M-23	10997707	Capacitor(40 μ F/450V)	Kondensator (40 μ F/450V)	1
M-24	10995557	Capcitor Retainer	Kondensatorhalter	2
M-25	10997713	Hex. screw M4x10	6kt-Schraube M4x10	1
M-26	10994556	Washer M4 4.3/9/0.8	U-Scheibe M4 4.3/9/0.8	1
M-27	10995565	Toothed washer M4	Zahnscheibe M4	1
M-28	10997708	Wiring Block	Kabelklemme	1





Konformitätserklärung

Declaration of conformity
 Déclaration de conformité
 Dichiarazione di conformità
 Declaración de conformidad



Type	TBE350S
Article number	10981424 (110V) 10981423 (230V)
Serial number	35200001-3521...
Index	001
Year of construction	2009

Steintrennsäge

Masonry saw
 Scie à maçonnerie
 Troncatrici da banco
 Cortadoras de mampostería



TBE350 ★ ★

Wir bestätigen in alleiniger
 Verantwortung, dass diese Maschine
 den folgenden Richtlinien und Normen
 entspricht.

We declare under our sole responsibility
 that this product complies with the
 following directives and standards

Nous déclarons, sous notre seule
 responsabilité, que ce produit répond aux
 directives et norms suivantes

Dichiariamo sotto la nostra completa
 responsabilità che il presente prodotto è
 conforme alle seguenti direttive e norme

Declaramus bajo propia responsabilidad
 que este producto cumple con las
 siguientes directivas y normas

Angewandte Richtlinien(n)

Directive(s) applied
 Directive(s) applicaée(s)
 Direttiva(e) applicata(e)
 Directiva(s) aplicada(e)
 2006/42/EG 17.05.2006
 2004/109/EG 15.12.2004
 2012/19/EU 04.07.2012

Angewandte Normen

Applied standards
 Normes applicaées
 Norme applicate
 Normas aplicadas
 EN 12418/A1:2009
 EN ISO 12100:2010
 EN 61000-6-3:2007

TYROLIT Hydorstress AG
 Witzbergstrasse 18
 CH-8330 Pfäffikon
 Switzerland

Pfäffikon, 16.04.2015

Pascal Schmid
 Leiter Entwicklung

