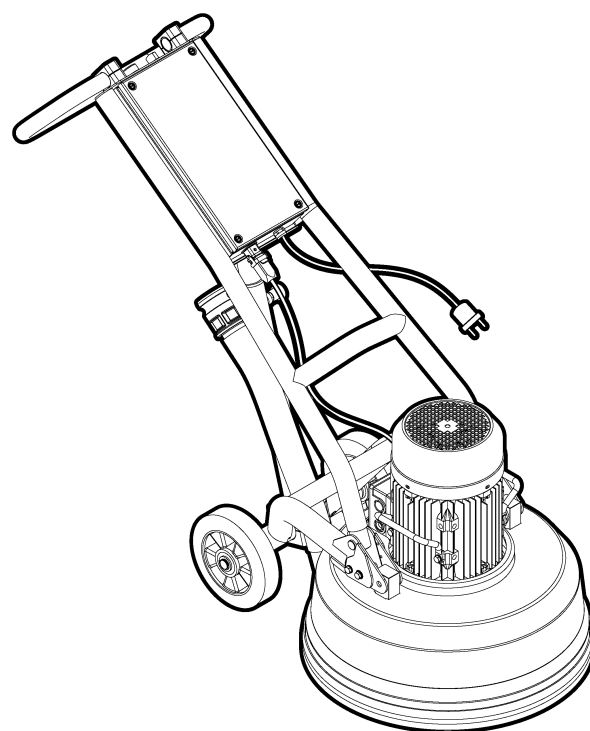
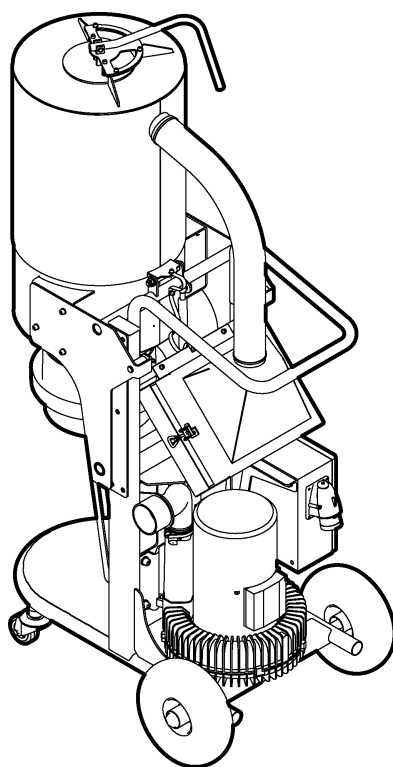


Spare Parts list

FGE270★★★ / FGE400★★★
FGE450★★★ / FGE530★★★
VCE4000D★★★

INDEX 001



Congratulations!

You have decided to purchase a tried and tested TYROLIT-Hydrostress unit and have thus acquired a highly sophisticated and reliable state-of-the-art unit. The exclusive use of only TYROLIT Hydrostress spare parts ensures quality and interchangeability. If maintenance work is neglected or carried out inexpertly we will be unable to honour our warranty obligations. Any repair work must be carried out by trained personnel only.

Should you need more details concerning your TYROLIT Hydrostress unit in order to keep it in perfect condition, please contact our after-sales service for further information.

We hope that you enjoy untroubled and fault-free working with your TYROLIT unit.

TYROLIT Hydrostress

Copyright © TYROLIT Hydrostress

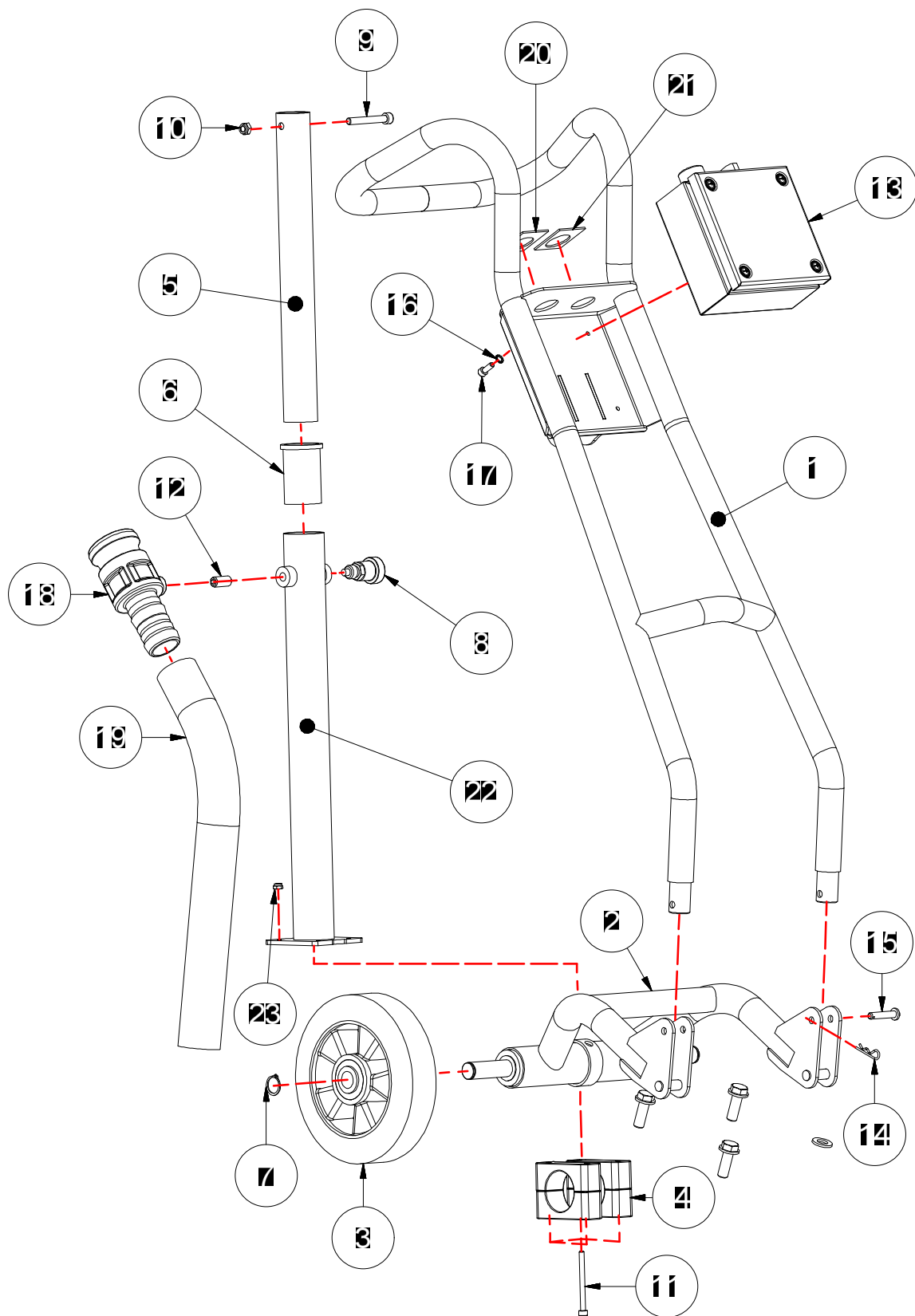
TYROLIT Hydrostress AG
Witzbergstrasse 18
CH-8330 Pfäffikon
Switzerland
Telefon 0041 (0) 44 952 18 18
Telefax 0041 (0) 44 952 18 00

Table of Contents

Contents

Table of Contents	1
Tyrolit FGE 270P Chassis	2
Tyrolit FGE 270P Grinding head.....	4
Tyrolit FGE 270P Grind holder	6
Edge grinding kit, add-on for Tyrolit FGE 270P	8

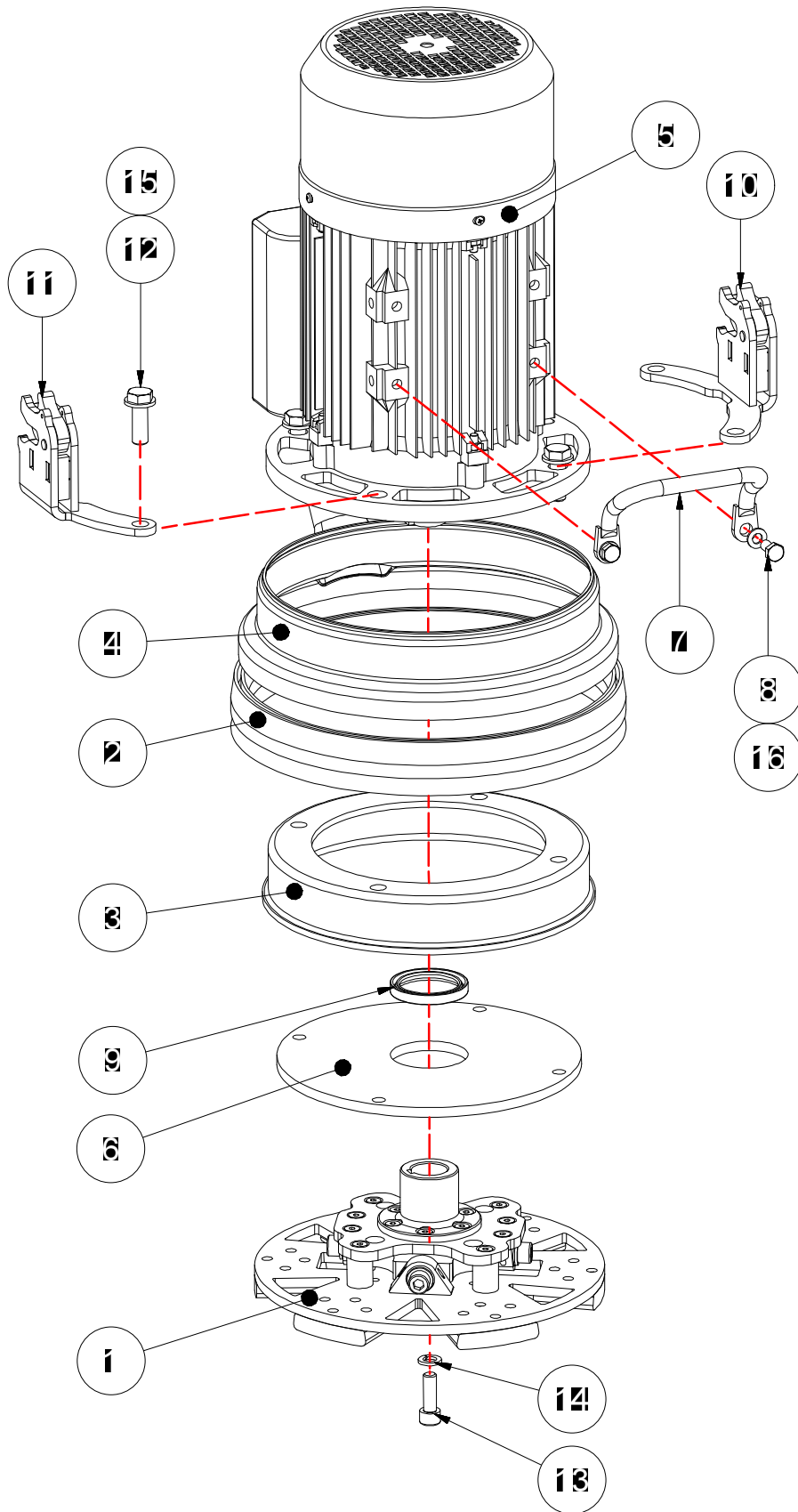
Tyrolit FGE 270P Chassis



Tyrolit FGE 270P Chassis

Item	Description	Part no	TY no	Qty
1	UPPER CHASSIS	EOHT-500840	10990632	1
2	LOWER CHASSIS	EOHT-500831	10990631	1
3	WHEEL	EOHT-110855	10990452	2
4	PIPE CLAMP	EOHT-113092	10990506	2
5	CHASSIS POSITIONER INNER TUBE	EOHT-500773	10990611	1
6	CHASSIS POSITIONER GUIDE BUSHING	EOHT-500776	10990612	1
7	CIRCLIP SGA 20	EOHT-310016	10990529	2
8	LEVER INDEXING PLUNGER	EOHT-113094	10990508	1
9	SCREW MC6S M8X60 12.9	EOHT-310076	10990543	1
10	LOCKNUT LM6M M8 FZB	EOHT-310067	10990540	1
11	SCREW MC6S M6X70	EOHT-310394	10991144	4
12	SCREW P6SS M12X25 A4	EOHT-310416	10990580	1
13	POWER UNIT 270 110V 50/60Hz	EOHT-550135-5015	10991178	1
13	POWER UNIT 270 230V 50Hz	EOHT-550127-5015	10991175	1
14	LOCKING CLIP LN Ø2 FZB	EOHT-310147	10990552	2
15	PIN CBH 8X40 FZB	EOHT-310409	10990574	2
16	WASHER IZ M6 FZB	EOHT-310414	10990578	4
17	SCREW MC6S M6X16 8.8 FZB	EOHT-310082	10990546	4
18	CAMLOCK 2"MALE SPECIAL GL 40MM	EOHT-113181	10990525	1
19	SUCTION HOSE 40MM	EOHT-110169	10990427	0,55 M
20	OVERLAY "EM STOP"	EOHT-113164	10990523	1
21	OVERLAY "ON - OFF"	EOHT-113149	10990518	1
22	CHASSIS POSITIONER GL	EOHT-500777-5015	10991156	1
23	LOCKNUT LM6M M6 FZB	EOHT-310072	10990541	4

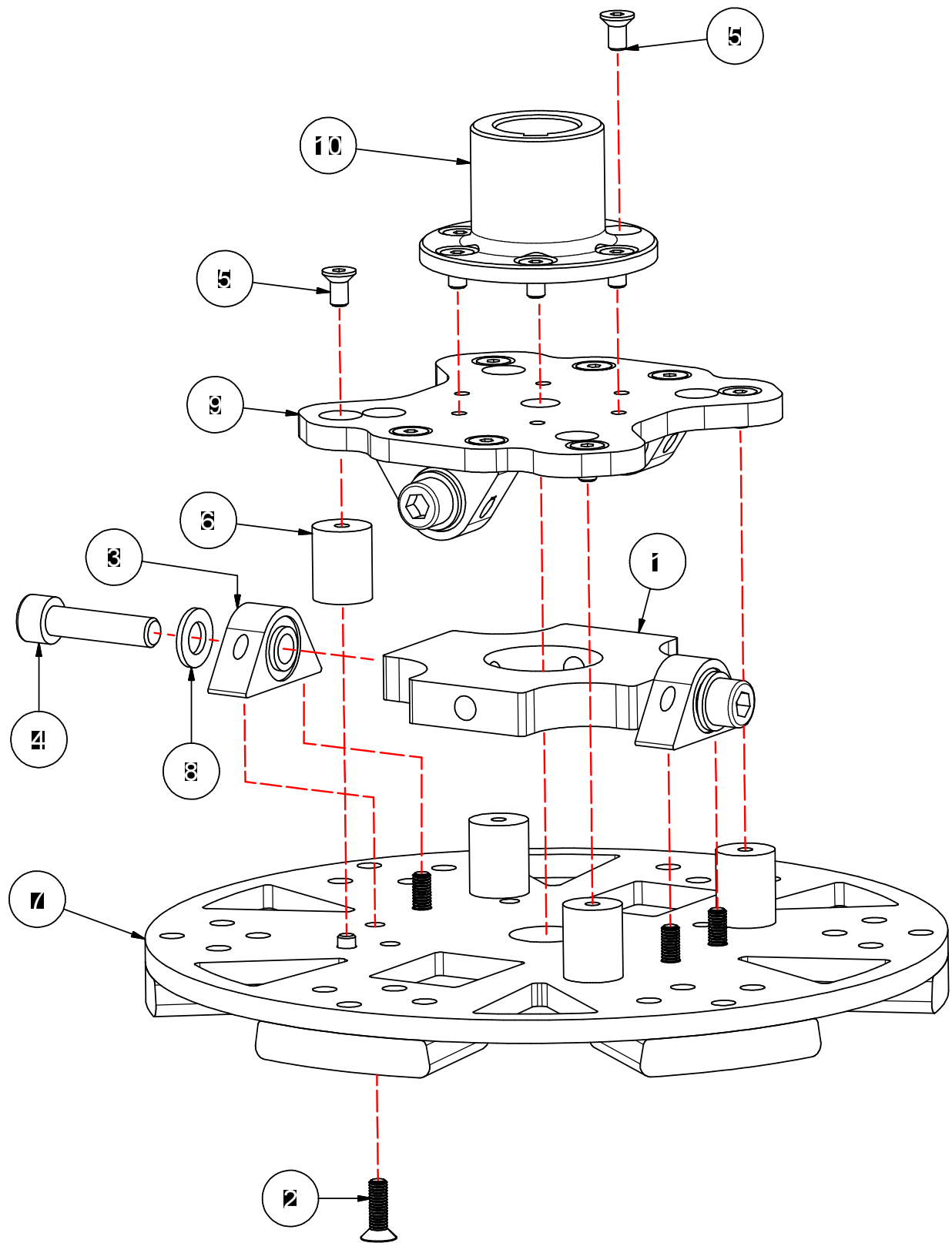
Tyrolit FGE 270P Grinding head



Tyrolit FGE 270P Grinding head

Item	Description	Part no	TY no	Qty
1	GRIND HOLDER CARDAN 270	EOHT-500481	10990583	1
2	BRUSH STRIP	EOHT-112610	10990494	0,95 M
3	COVER GUIDE 270	EOHT-500756	10990606	1
4	DUST COVER 270	EOHT-500845-5015	10991164	1
5	MOTOR 1,5KW 6-POL 1x110V 50Hz	EOHT-113091-5015	10991151	1
5	MOTOR 1,5KW 6 POL 1x230V 50Hz	EOHT-113078-5015	10991149	1
6	MOTOR FASTENING PLATE GL 270	EOHT-500818	10990627	1
7	LIFTING HANDLE 1,5 KW MOTOR	EOHT-500815-5015	10991162	1
8	SCREW MC6S M8X16 FZB	EOHT-310080	10990545	2
9	SEALING 45X60X8 HMSA4	EOHT-111120	10990455	1
10	GRINDHEAD BRACKET COMPLETE LEFT	EOHT-500938-5015	10991167	1
11	GRINDHEAD BRACKET COMPLETE RIGHT	EOHT-500941-5015	10991168	1
12	SCREW M6S M12X35 FZB	EOHT-310413	10991145	4
13	SCREW MC6S M10X30 10.9 FZB	EOHT-310190	10990556	1
14	WASHER FBB M10 FZB	EOHT-310379	10990572	1
15	WASHER BRB M12 FZB	EOHT-310057	10990539	4
16	WASHER BRB M8 FZB	EOHT-310077	10990544	2

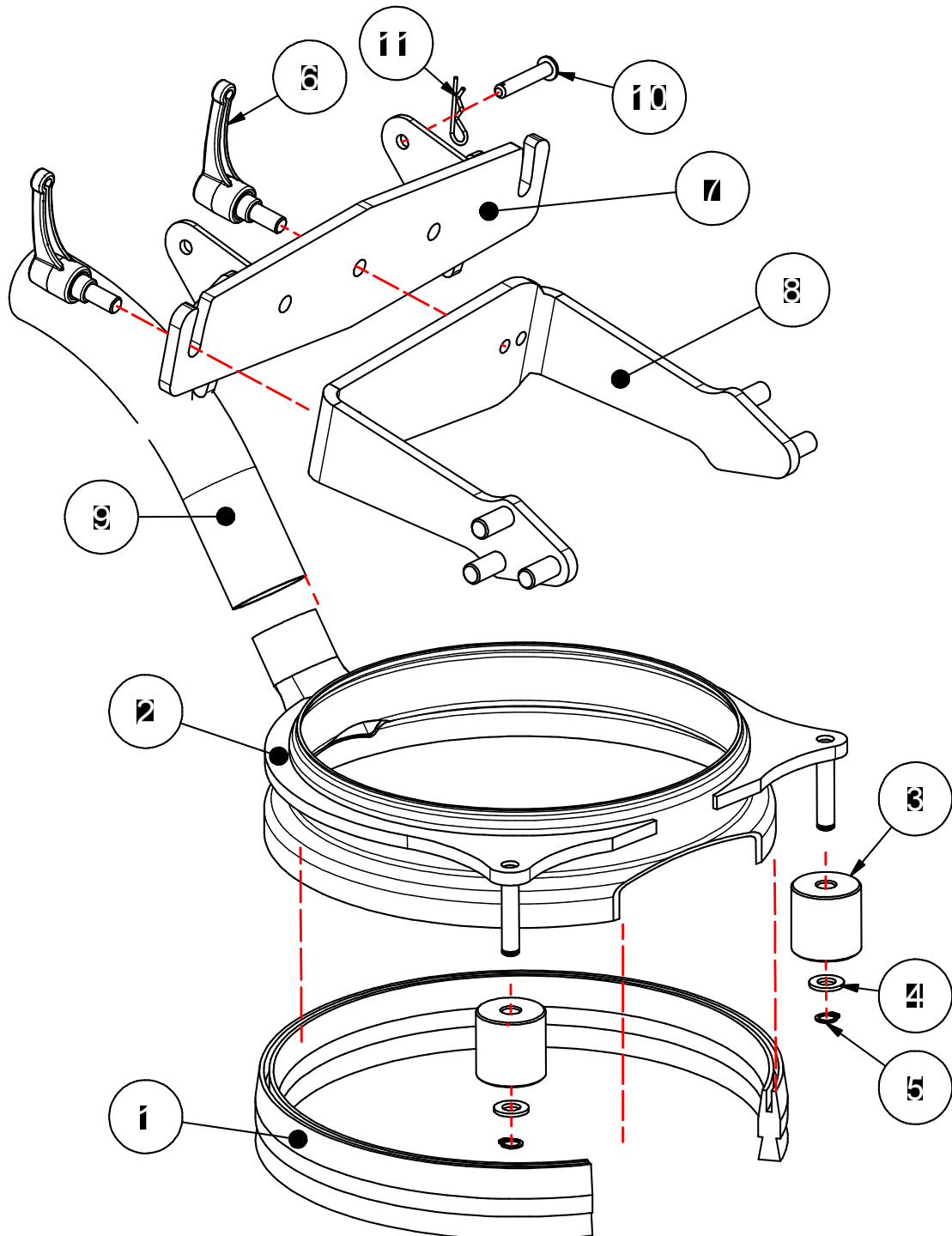
Tyrolit FGE 270P Grind holder



Tyrolit FGE 270P Grind holder**GRIND HOLDER CARDAN – 500481**

Item	Description	Part no	TY no	Qty
1	CARDAN CONNECTION			1
2	SCREW MFTS M6X20 10.9 FZB	EOHT-310212	10990558	8
3	BUSHING EAR FOR GRIND HOLDER	EOHT-112334	10990476	4
4	SCREW MC6S M10X35 8.8 FZB	EOHT-310301	10990565	4
5	SCREW MF6S M6X12 10.9 FZB	EOHT-310323	10991142	16
6	SHOCK ABSORBER 20x25 M6	EOHT-112247	10990467	4
7	TOOL HOLDER 270	EOHT-500480	10990582	1
8	WASHER BRB M10 HB 200 FZB	EOHT-310048	10990538	4
9	GRINDHOLDER UPPER CARDAN	EOHT-500473	10990581	1
10	MOTOR COUPLER	EOHT-500755	10990605	1

Edge grinding kit, add-on for Tyrolit FGE 270P



Edge grinding kit, add-on for Tyrolit FGE 270P
EDGE GRINDING KIT – 113152-5015

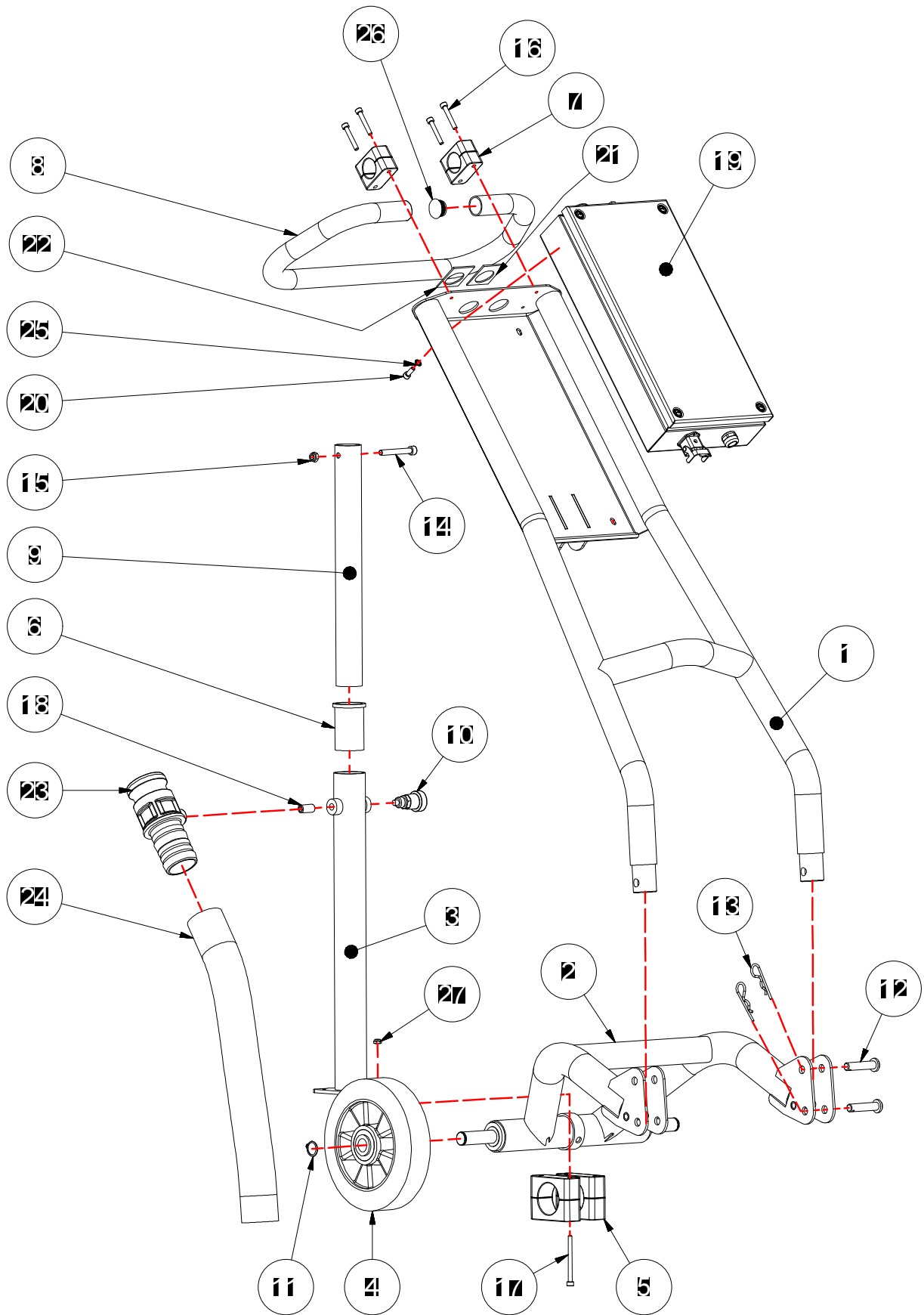
Item	Description	Part no	TY no	Qty
1	BRUSH STRIP	EOHT-112610	10990494	0,8 M
2	DUST COVER 270 EDGE GRINDER	EOHT-500894-5015	10991166	1
3	WHEEL 270 EDGE GRINDER COVER	EOHT-500895	10990642	2
4	WASHER BRB M10 FZB	EOHT-310048	10990538	2
5	CIRCLIP SGA 10	EOHT-310165	10990553	2
6	HANDLE	EOHT-113153	10990519	2
7	EDGE GRINDER 270 BRACKET	EOHT-500888	10990640	1
8	EDGE GRINDER 270 FORK	EOHT-500887	10990639	1
9	SUCTION HOSE 40MM	EOHT-110169	10990427	1,0 M
10	PIN HCB 8X45	EOHT-113163	10990522	2
11	LOCKING CLIP LN Ø2 FZB	EOHT-310147	10990552	2

Table of Contents

Contents

Table of Contents	1
FGE 400P Chassis	2
FGE 400P Grinding Head	4
FGE 400P Grind Holder	6

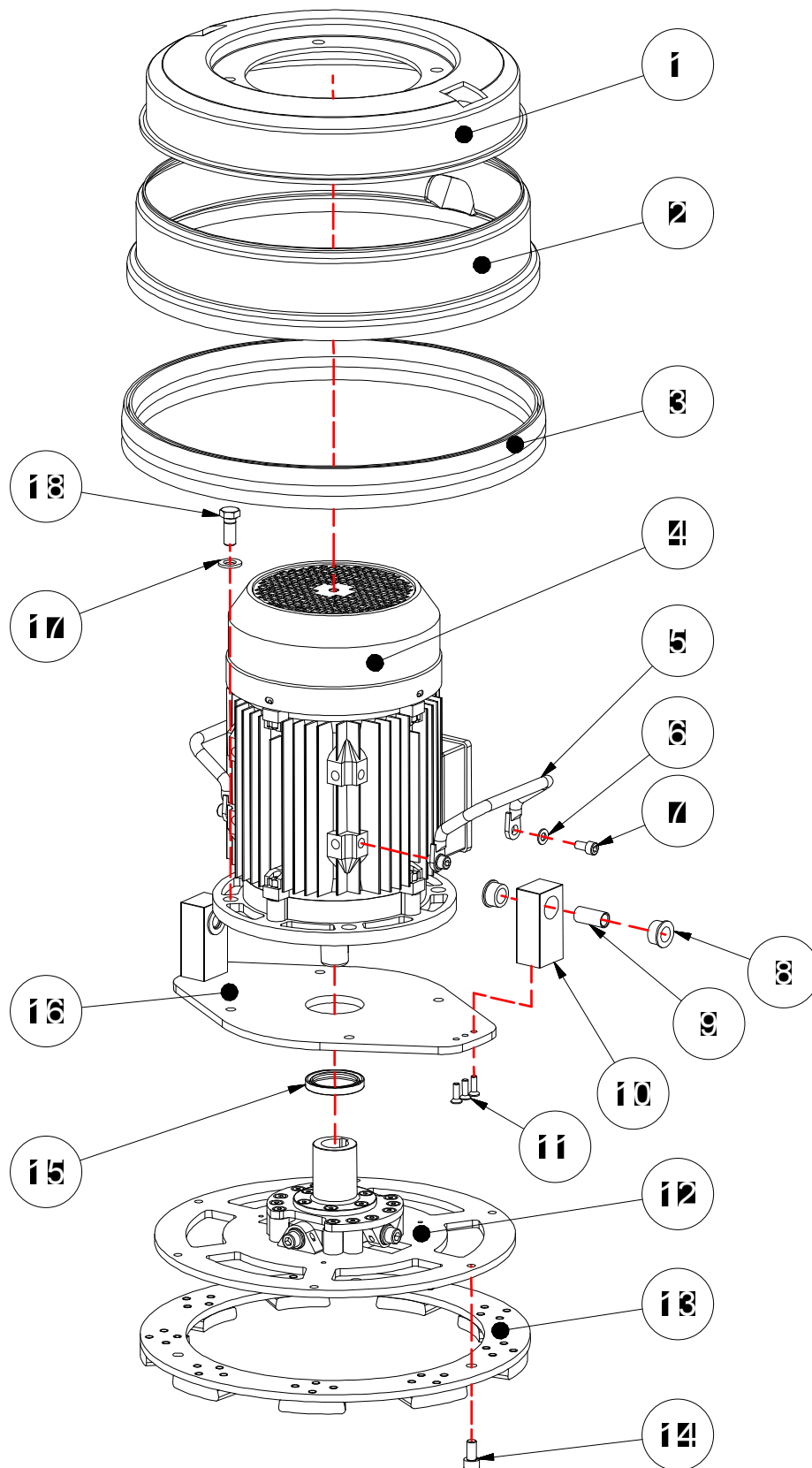
FGE 400P Chassis



FGE 400P Chassis

Item	Description	Part no	TY no	Qty
1	UPPER CHASSIS	EOHT-500782	10990615	1
2	CHASSIS BOTTOM PART	EOHT-500765	10990610	1
3	CHASSIS POSITIONER	EOHT-500777-5015	10991156	1
4	WHEEL	EOHT-110855	10990452	2
5	PIPE CLAMP	EOHT-113092	10990506	2
6	CHASSIS POSITIONER GUIDE BUSHING	EOHT-500776	10990612	1
7	PIPE CLAMP ALU	EOHT-113093	10990507	2
8	CHASSIS HANDLE	EOHT-500781	10990614	1
9	CHASSIS POSITIONER INNER TUBE	EOHT-500773	10990611	1
10	LEVER INDEXING PLUNGER	EOHT-113094	10990508	1
11	CIRCLIP SGA 20	EOHT-310016	10990529	2
12	PIN CBH 12X55 FZB	EOHT-310410	10990575	4
13	LOCKING CLIP LN Ø3 FZB	EOHT-310411	10990576	4
14	SCREW MC6S M8X60 12.9	EOHT-310076	10990543	1
15	LOCKNUT LM6M M8 FZB	EOHT-310067	10990540	1
16	SCREW MC6S M6X40 8.8 FZB	EOHT-310309	10990566	4
17	SCREW MC6S M6X70 8.8 FZB	EOHT-310394	10991144	4
18	SCREW P6SS M12X25 A4	EOHT-310416	10990580	1
19	POWER UNIT 400 GL 3X230V	EOHT-550120-5015	10991173	1
19	POWER UNIT 400 GL 3X400V	EOHT-550108-5015	10991169	1
20	SCREW MC6S M6X16 8.8 FZB	EOHT-310082	10990546	4
21	OVERLAY "ON-OFF"	EOHT-113149	10990518	1
22	OVERLAY "EM-STOP"	EOHT-113164	10990523	1
23	CAMLOCK MALE TUBE CON. 2" ALU	EOHT-113180	10990524	1
24	HOSE 51MM POLYURETAN BLACK	EOHT-113170	10991139	0,5 M
25	WASHER IZ M6 FZB	EOHT-310414	10990578	4
26	INSERT RIBBED	EOHT-113143	10990517	2
27	LOCKNUT LM6M M6 FZB	EOHT-310072	10990541	4

FGE 400P Grinding Head



FGE 400P Grinding Head

Item	Description	Part no	TY no	Qty
1	COVER GUIDE	EOHT-500821	10990628	1
2	DUST COVER	EOHT-500825-5015	10991163	1
3	BRUSH STRIP	EOHT-112610	10990494	1,35 M
4	MOTOR 4KW 4-POL, 3x230/400V	EOHT-113084-5015	10991150	1
5	LIFT HANDLE 4KW MOTOR	EOHT-500808-5015	10991160	2
6	WASHER BRB M10 FZB	EOHT-310048	10990538	4
7	SCREW MC6S M10x16 8.8 FZB	EOHT-310329	10991143	4
8	RUBBER BUSHING	EOHT-500848	10990634	4
9	BUSHING SLEEVE	EOHT-500763	10990608	2
10	FASTENING BRACKET	EOHT-500790-5015	10991158	2
11	SCREW MFTS M6X16 8.8 FZB	EOHT-310292	10990564	6
12	GRINDHOLDER CARDAN COMPLETE Ø400	EOHT-112356	10990478	1
13	RIVETED TOOL HOLDER	EOHT-112787	10990497	1
14	SCREW M6SH M10x25 8.8 FZB	EOHT-310114	10990547	3
15	SEAL 45X60X8 HMSA4	EOHT-111120	10990455	1
16	MOTOR PLATE	EOHT-500823	10990629	1
17	WASHER BRB M12 FZB	EOHT-310057	10990539	4
18	SCREW M6SH M12X30 8.8 FZB	EOHT-310128	10990549	4

FGE 400P Grind Holder**GRIND HOLDER COMPLETE Ø400 – 112356**

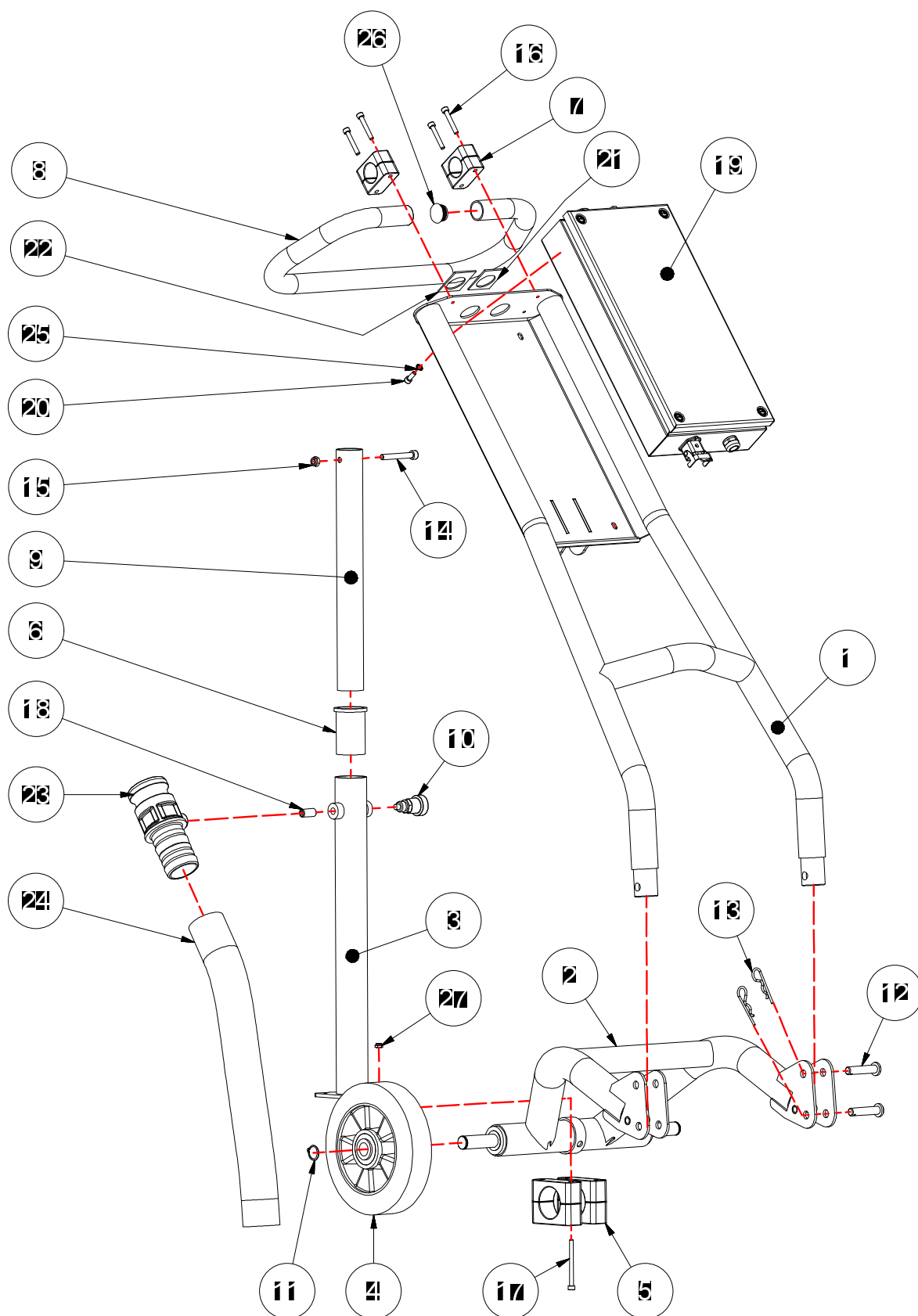
Item	Description	Part no	TY no	Qty
1	GRIND HOLDER PLATE	EOHT-112276	10990472	1
2	SHOCK ABSORBER 20x25 M6	EOHT-112247	10990467	8
3	EAR CARDAN	EOHT-112334	10990476	4
4	CARDAN CONNECTION	EOHT-112241	10990465	1
5	SCREW MC6S M10X35 8.8 FZB	EOHT-310301	10990565	4
6	SCREW MFTS M6X12 10.9 FZB	EOHT-310312	10990568	16
7	SCREW MFTS M6X20 10.9 FZB	EOHT-310212	10990558	8
8	SETRING	EOHT-112425	10990479	1
9	UPPER GRIND HOLDER PLATE	EOHT-112578	10990491	1
10	MOTOR COUPLER	EOHT-112601	10990492	1
11	SCREW MFTS M6X16 8.8 FZB	EOHT-310292	10990564	6
12	WASHER BRB M10 FZB	EOHT-310048	10990538	4
13	SCREW MC6S M10X45 10.9 FZB	EOHT-310365	10990571	1

Table of Contents

Contents

Table of Contents	1
FGE 450P Chassis	2
FGE 450P Grinding Head	4
FGE 450P Grind Holder	8

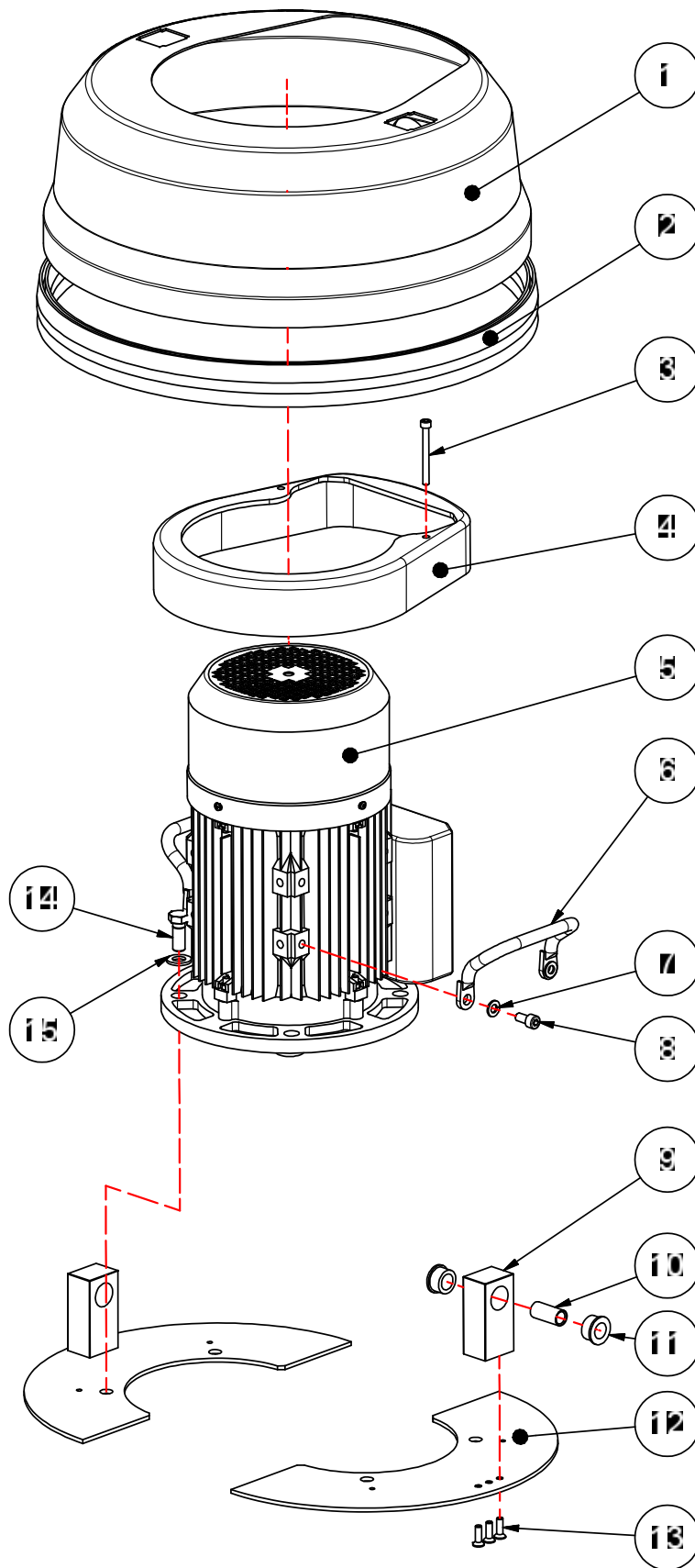
FGE 450P Chassis



FGE 450P Chassis

Item	Description	Part no	TY no	Qty
1	UPPER CHASSIS	EOHT-500782	10990615	1
2	CHASSIS BOTTOM PART	EOHT-500765	10990610	1
3	CHASSIS POSITIONER	EOHT-500777-5015	10991156	1
4	WHEEL	EOHT-110855	10990452	2
5	PIPE CLAMP	EOHT-113092	10990506	2
6	CHASSIS POSITIONER GUIDE BUSHING	EOHT-500776	10990612	1
7	PIPE CLAMP ALU	EOHT-113093	10990507	2
8	CHASSIS HANDLE	EOHT-500781	10990614	1
9	CHASSIS POSITIONER INNER TUBE	EOHT-500773	10990611	1
10	LEVER INDEXING PLUNGER	EOHT-113094	10990508	1
11	CIRCLIP SGA 20	EOHT-310016	10990529	2
12	PIN CBH 12X55 FZB	EOHT-310410	10990575	4
13	LOCKING CLIP LN Ø3 FZB	EOHT-310411	10990576	4
14	SCREW MC6S M8X60 12.9	EOHT-310076	10990543	1
15	LOCKNUT LM6M M8 FZB	EOHT-310067	10990540	1
16	SCREW MC6S M6X40 8.8 FZB	EOHT-310309	10990566	4
17	SCREW MC6S M6X70 8.8 FZB	EOHT-310394	10991144	4
18	SCREW P6SS M12X25 A4	EOHT-310416	10990580	1
19	POWER UNIT 1x110V 50/60 Hz	EOHT-550134-5015	10991177	1
19	POWER UNIT 1x230V 50 Hz	EOHT-550129-5015	10991176	1
20	SCREW MC6S M6X16 8.8 FZB	EOHT-310082	10990546	4
21	OVERLAY "ON-OFF"	EOHT-113149	10990518	1
22	OVERLAY "EM-STOP"	EOHT-113164	10990523	1
23	CAMLOCK MALE TUBE CON. 2" ALU	EOHT-113180	10990524	1
24	HOSE 51MM POLYURETAN BLACK	EOHT-112516	10990488	0,5
25	WASHER IZ M6 FZB	EOHT-310414	10990578	4
26	INSERT RIBBED	EOHT-113143	10990517	2
27	LOCKNUT LM6M M6 FZB	EOHT-310072	10990541	4

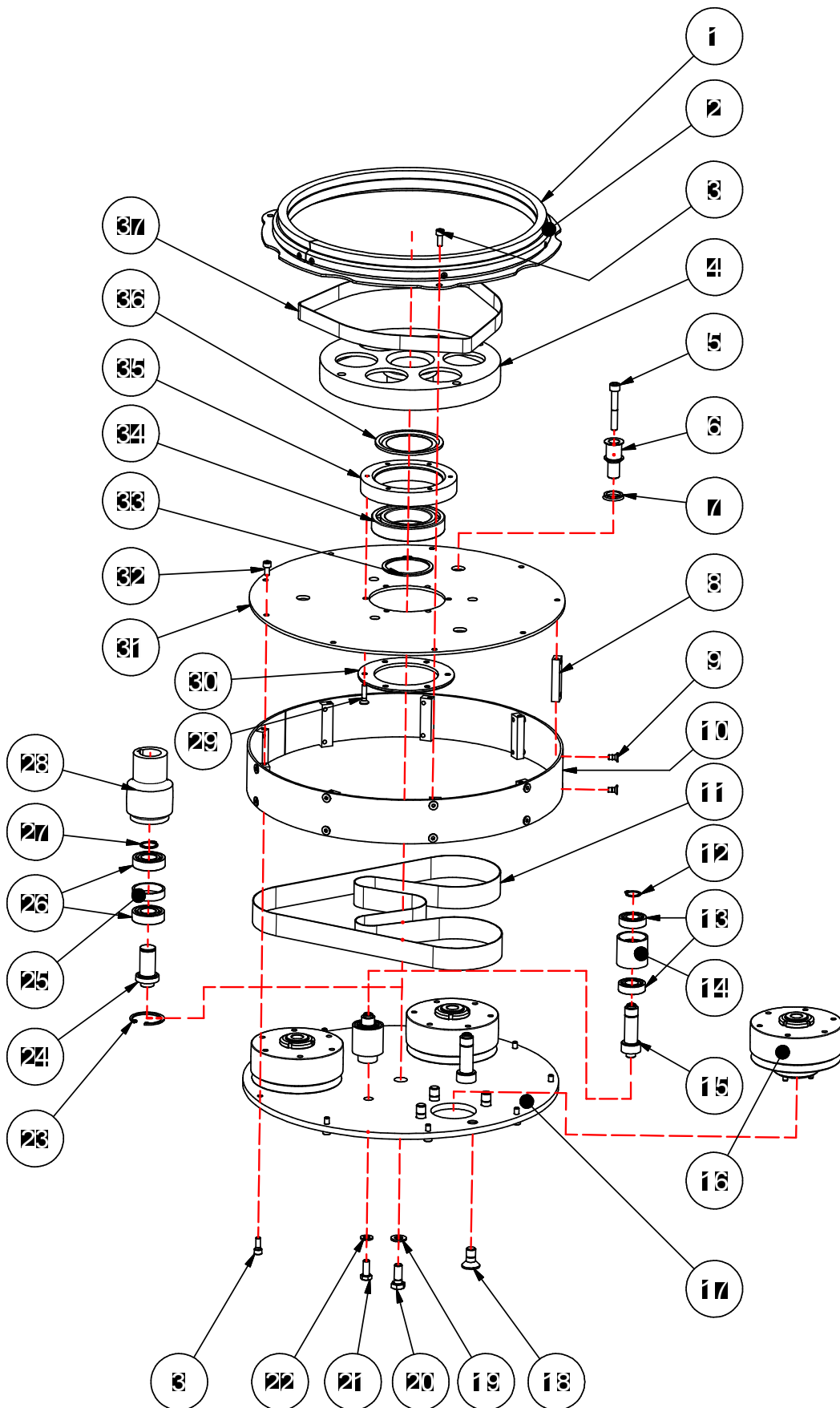
FGE 450P Grinding Head



FGE 450P Grinding Head

Item	Description	Part no	TY no	Qty
1	DUST COVER	EOHT-500810-5015	10991161	1
2	BRUSH LIST	EOHT-112610	10990494	1,5 M
3	SCREW MC6S M6x60 8.8 FZB	EOHT-310383	10990573	2
4	COVER GUIDE	EOHT-500811	10990625	1
5	MOTOR 1,5KW 6-POL B5 1x110V, 50Hz	EOHT-113091-5015	10991151	1
5	MOTOR 1,5KW 6-POL B5 1x230V, 50HZ	EOHT-113078-5015	10991149	1
6	LIFT HANDLE 1.5kW MOTOR	EOHT-500815-5015	10991162	2
7	WASHER BRB M8	EOHT-310077	10990544	4
8	SCREW MC6S M8x14 8.8 FZB	EOHT-310080	10990545	4
9	FASTENING BRACKET	EOHT-500790-5015	10991158	2
10	BUSHING SLEEVE	EOHT-500763	10990608	2
11	RUBBER BUSHING	EOHT-500848	10990634	4
12	MOTOR PLATE	EOHT-500789	10990616	2
13	SCREW MFTS M6X16 8.8 FZB	EOHT-310292	10990564	6
14	SCREW M6SH M12x30 8.8 FZB	EOHT-310128	10990549	4
15	WASHER BRB M12 FZB	EOHT-310057	10990539	4

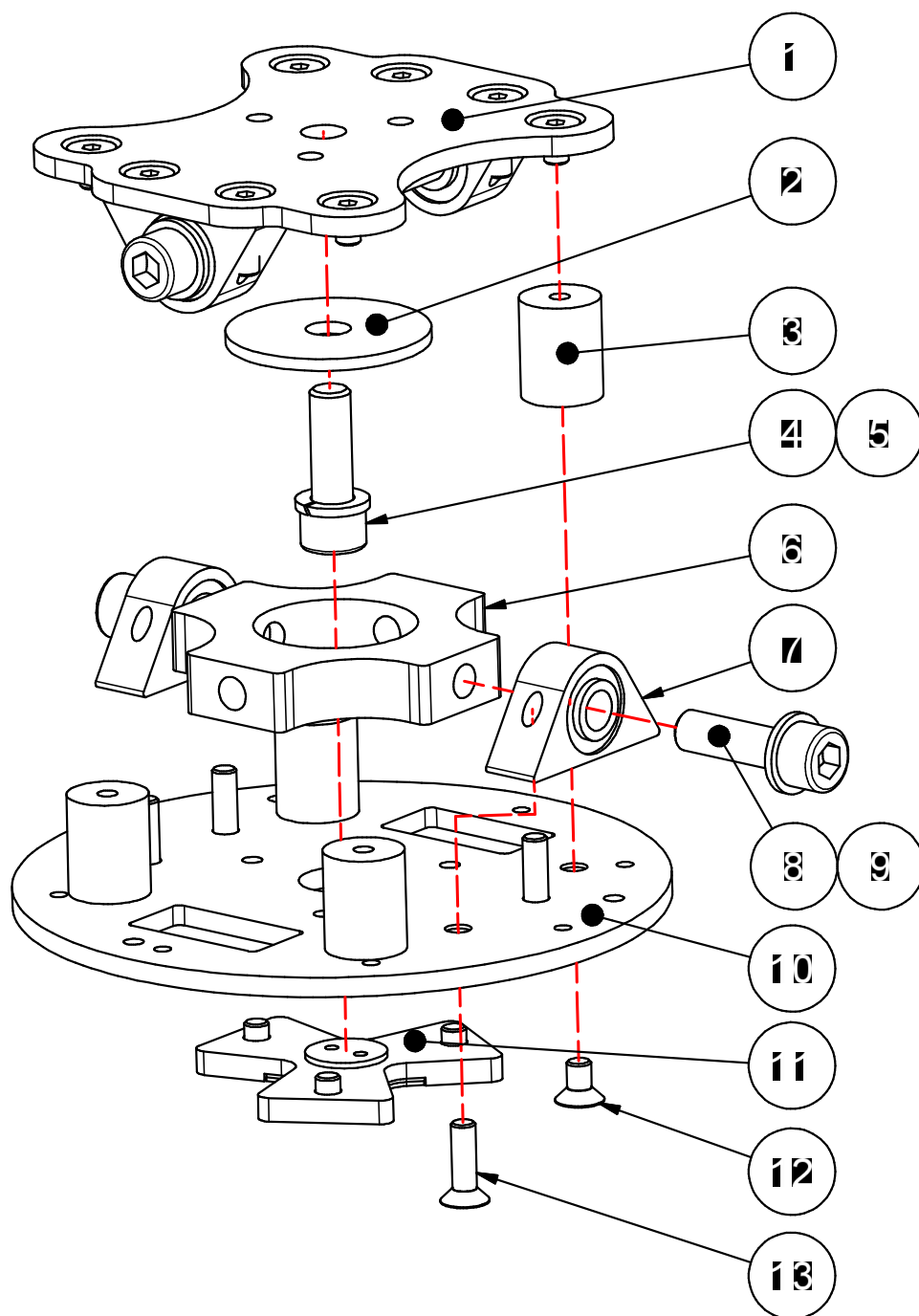
FGE 450P Grinding Head



FGE 450P Grinding Head

Item	Description	Part no	TY no	Qty
1	BRUSH STRIP	EOHT-112637	10990496	1,2 M
2	SAFETY COVER BELT COMPL. W. BRUSH STRIP	EOHT-112286	10990473	1
3	SCREW MC6S M6X16 8.8 FZB	EOHT-310082	10990546	12
4	MOTOR PLATE	EOHT-110682	10990441	1
5	SCREW MC6S M8X55 12.9	EOHT-310237	10990559	3
6	SHAFT UPPER BELT	EOHT-100680	10990423	3
7	SEALING V-RING 18MM	EOHT-110703	10990443	3
8	FIXING BOSS	EOHT-110657	10990433	9
9	SCREW MFTS M6X16 10.9 FZB	EOHT-310292	10990564	18
10	BORDER	EOHT-110655	10990432	1
11	BELT INNER S-140	EOHT-10483	10990421	1
12	CIRCLIP SGA 18	EOHT-310117	10990548	2
13	BALL BEARING 6003 2RS C3	EOHT-111064	10990454	4
14	PRESS WHEEL	EOHT-110679	10990440	2
15	SHAFT PRESSWHEEL	EOHT-110678	10990439	3
16	PULLEY ASSEMBLY COMPLETE	EOHT-110689	10990442	3
17	LOWER LID	EOHT-110650	10990430	1
18	SCREW FMFTS M12X1.25X20	EOHT-310138	10991179	12
19	WASHER TBR SB M10 FZB	EOHT-310042	10990537	1
20	SCREW M6S M10X25 8.8 FZB	EOHT-310114	10990547	1
21	SCREW M6S M8X20 8.8 FZB	EOHT-310183	10990555	6
22	WASHER TBR SB M8 FZB	EOHT-310015	10990528	6
23	CIRCLIP SGH 42	EOHT-310277	10990562	1
24	SHAFT CENTERPULLEY	EOHT-110671	10990435	1
25	SPACER CENTER HUB	EOHT-110675	10990438	1
26	BALL BEARING 6004 2RS C3	EOHT-111065	10990765	2
27	CIRCLIP SGA 20	EOHT-310016	10990529	1
28	CENTER PULLEY	EOHT-110672	10990436	1
29	SCREW MFTS M6X25 8.8 FZB	EOHT-310275	10990561	6
30	COVER CENTER	EOHT-110652	10990431	1
31	UPPER LID	EOHT-110659	10990434	1
32	SCREW MC6S M6x12 8.8 FZB	EOHT-310030	10990535	6
33	CIRCLIP SGA 60	EOHT-310018	10990530	1
34	BALL BEARING 6012 2RS1 C3	EOHT-110026	10990426	1
35	HOUSING CENTRE	EOHT-110673	10990437	1
36	NILOS RING 6012 JV	EOHT-10472	10990420	1
37	BELT UPPER S-140	EOHT-10484	10990764	1

FGE 450P Grind Holder



FGE 450P Grind Holder**GRINDHOLDER COMPLETE – 112355**

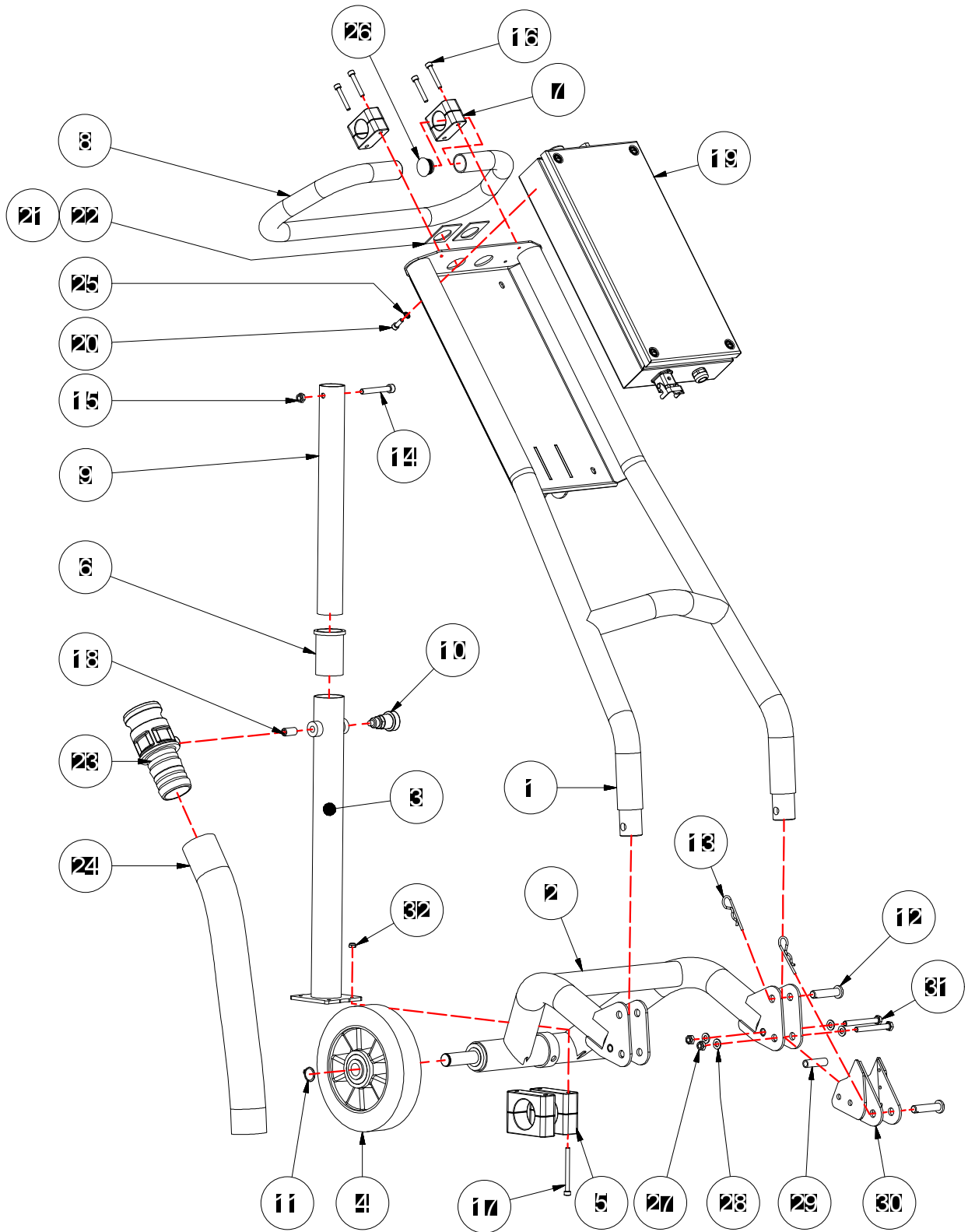
Item	Description	Part no	TY no	Qty
1	UPPER GRIND HOLDER PLATE	EOHT-112271	10990470	1
2	WASHER	EOHT-112270	10990469	1
3	SHOCK ABSORBER 20x25 M6	EOHT-112247	10990467	4
4	SCREW MC6S M10X30 10.9 FZB	EOHT-310190	10990556	1
5	WASHER FBB M10 FZB	EOHT-310379	10990572	1
6	CARDAN CONNECTION	EOHT-112273	10990471	1
7	EAR CARDAN	EOHT-112334	10990476	4
8	SCREW MC6S M10X35 8.8 FZB	EOHT-310301	10990565	4
9	WASHER BRB M10 FZB	EOHT-310048	10990538	4
10	LOWER GRIND HOLDER PLATE	EOHT-112272	10990766	1
11	CROSS COMPLETE	EOHT-111463	10990461	1
12	SCREW MFTS M6X10 10.9 FZB	EOHT-310311	10990567	8
13	SCREW MFTS M6X20 10.9 FZB	EOHT-310212	10990558	8

Table of Contents

Contents

Table of Contents	1
FGE 530P Chassis	2
FGE 530P Grinding Head	5
FGE 530P Grind Holder.....	10

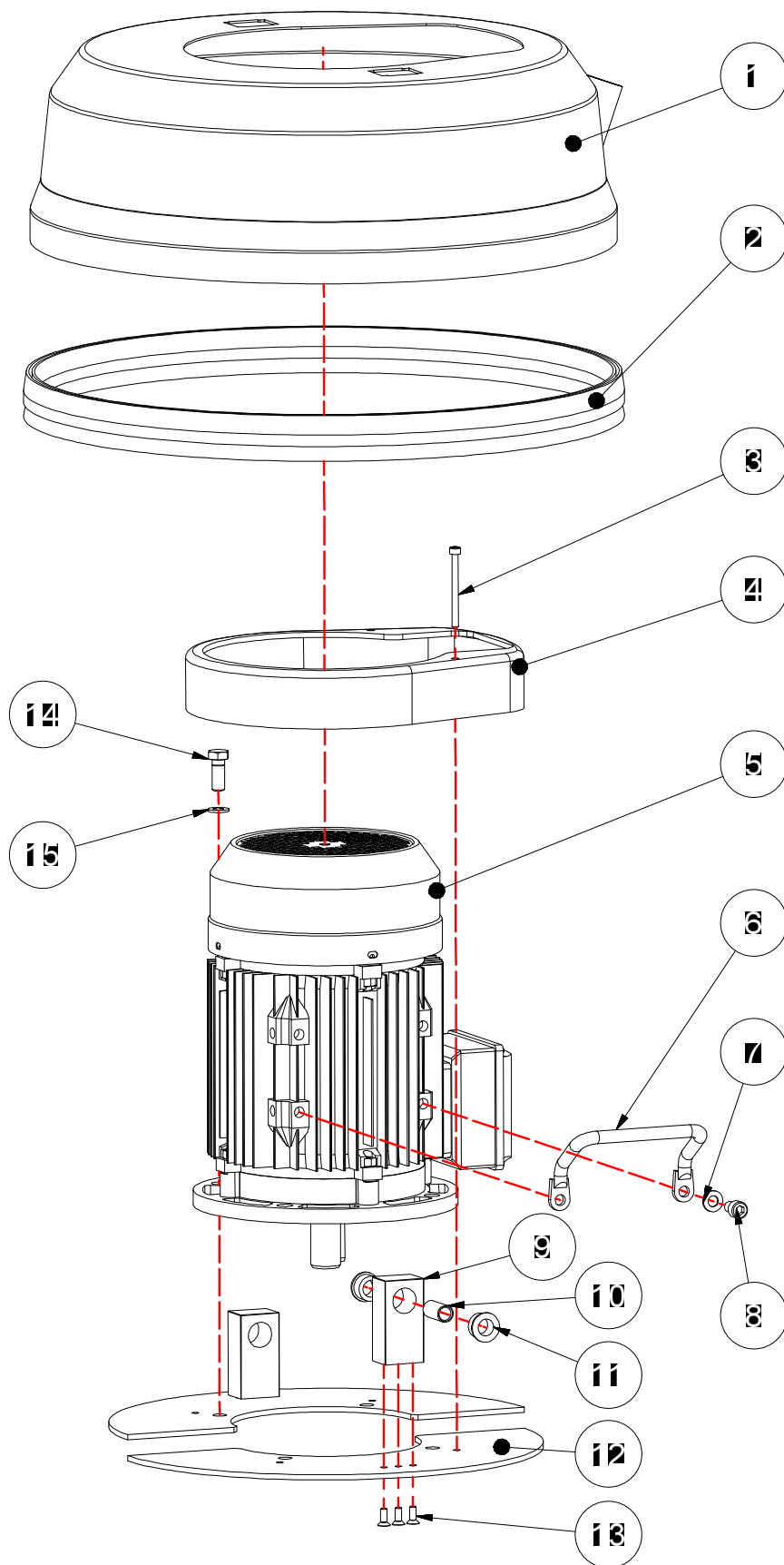
FGE 530P Chassis



FGE 530P Chassis

Item	Description	Part no	TY no	Qty
1	UPPER CHASSIS	EOHT-500782	10990615	1
2	CHASSIS BOTTOM PART	EOHT-500765	10990610	1
3	CHASSIS POSITIONER	EOHT-500777-5015	10991156	1
4	WHEEL	EOHT-110855	10990452	2
5	PIPE CLAMP	EOHT-113092	10990506	2
6	CHASSIS POSITIONER GUIDE BUSHING	EOHT-500776	10990612	1
7	PIPE CLAMP ALU	EOHT-113093	10990507	2
8	CHASSIS HANDLE GREYLINE	EOHT-500781	10990614	1
9	CHASSIS POSITIONER INNER TUBE	EOHT-500773	10990611	1
10	LEVER INDEXING PLUNGER	EOHT-113094	10990508	1
11	CIRCLIP SGA 20	EOHT-310016	10990529	2
12	PIN CBH 12X55 FZB	EOHT-310410	10990575	4
13	LOCKING CLIP LN Ø3 FZB	EOHT-310411	10990576	4
14	SCREW MC6S M8X60 12.9	EOHT-310076	10990543	1
15	LOCKNUT LM6M M8 FZB	EOHT-310067	10990540	1
16	SCREW MC6S M6X40 8.8 FZB	EOHT-310309	10990566	4
17	SCREW MC6S M6X70 8.8 FZB	EOHT-310394	10991144	4
18	SCREW P6SS M12X25 A4	EOHT-310416	10990580	1
19	POWER UNIT 550 GL 3X230V	EOHT-550122-5015	10991174	1
19	POWER UNIT 550 GL 3X400V	EOHT-550110-5015	10991170	1
20	SCREW MC6S M6X16 8.8 FZB	EOHT-310082	10990546	4
21	OVERLAY "ON-OFF"	EOHT-113149	10990518	1
22	OVERLAY "EM-STOP"	EOHT-113164	10990523	1
23	CAMLOCK MALE TUBE CON. 2" ALU	EOHT-113180	10990524	1
24	HOSE 51MM POLYURETAN BLACK	EOHT-113170	10991139	0,5 m
25	WASHER IZ M6 FZB	EOHT-310414	10990578	4
26	INSERT RIBBED	EOHT-113143	10990517	2
27	LOCKNUT LM6M M8 FZB	EOHT-310067	10990540	4
28	WASHER BRB M8 FZB	EOHT-310077	10990544	12
29	ADAPTER SLEEVE	EOHT-500804	10990622	2
30	ADAPTER GRINDING HEAD	EOHT-500794	10990618	2
31	SCREW MC6S M8X70 8.8 FZB	EOHT-310074	10990542	4
32	LOCKNUT LM6M M6 FZB	EOHT-310072	10990541	4

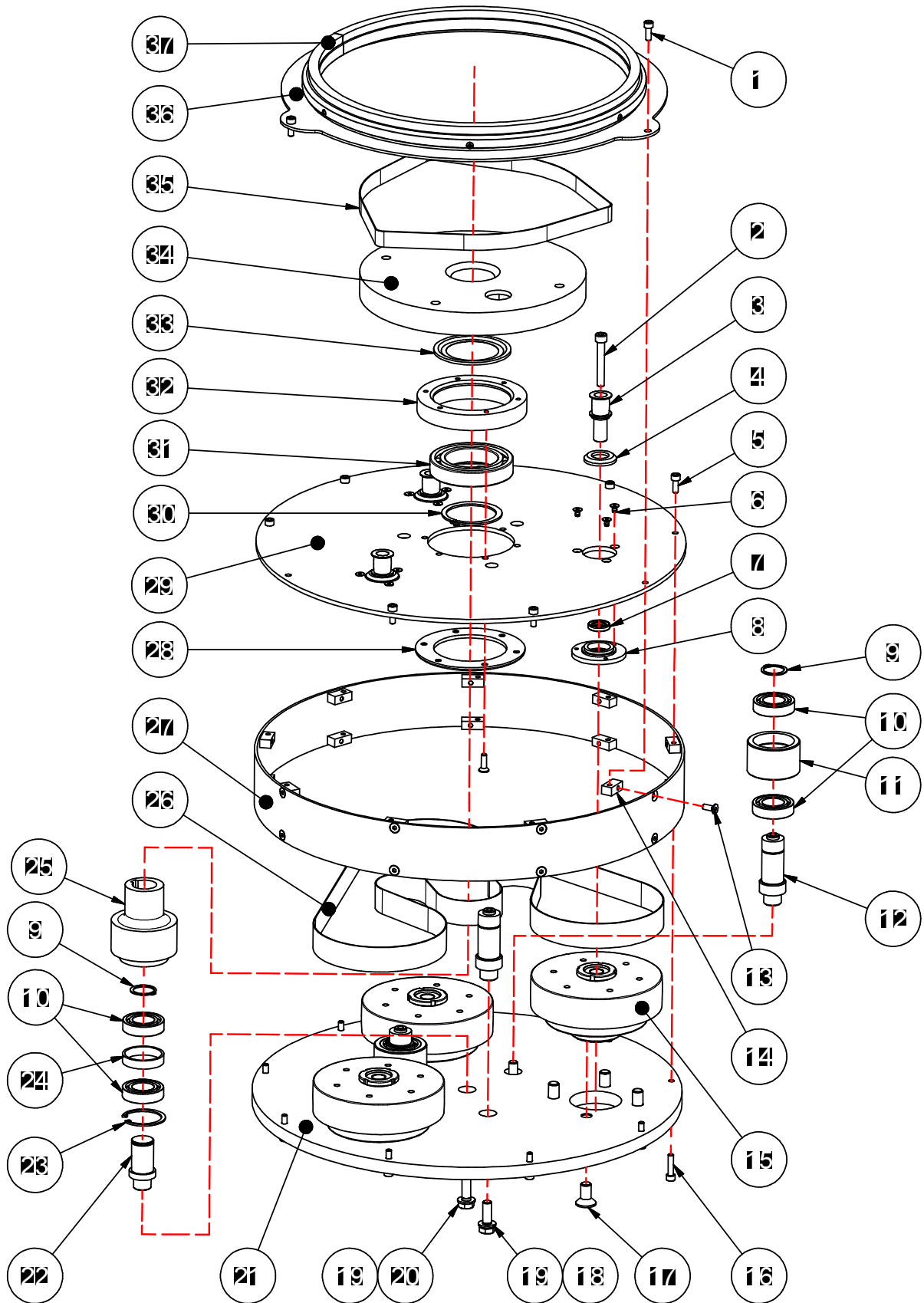
FGE 530P Grinding Head



FGE 530P Grinding Head

Item	Description	Part no	TY no	Qty
1	DUST COVER	EOHT-500795-5015	10991159	1
2	BRSUH LIST	EOHT-112610	10990494	1,8 M
3	SCREW MC6S M6x70 8.8 FZB	EOHT-310394	10991144	2
4	COVER GUIDE	EOHT-500800	10990620	1
5	MOTOR 4 kW 3x230V/400V/460V	EOHT-113084-5015	10991150	1
6	LIFT HANDLE 4 kW MOTOR	EOHT-500808-5015	10991160	2
7	WASHER BRB M10 FZB	EOHT-310048	10990538	4
8	SCREW MC6S M8x16 8.8 FZB	EOHT-310329	10991143	4
9	FASTENING BRACKET	EOHT-500790-5015	10991158	2
10	BUSHING SLEEVE	EOHT-500763	10990608	2
11	RUBBER BUSHING	EOHT-500848	10990634	4
12	MOTOR PLATE	EOHT-500801	10990621	2
13	SCREW MFTS M6x16 8.8 FZB	EOHT-310292	10990564	6
14	SCREW M6SH M12x30 8.8 FZB	EOHT-310128	10990549	4
15	WASHER BRB M12 FZB	EOHT-310057	10990539	4

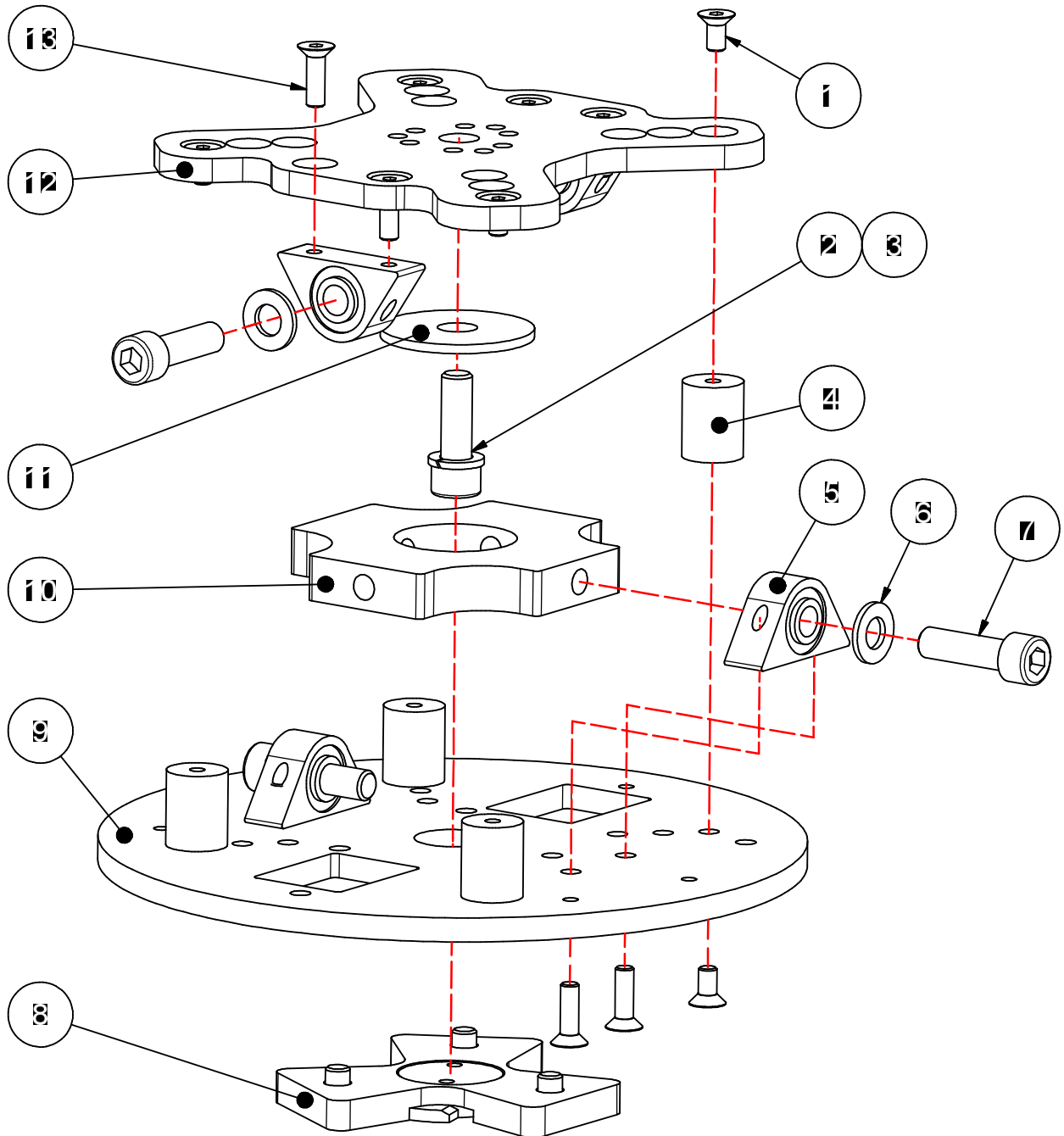
FGE 530P Grinding Head



FGE 530P Grinding Head

Item	Description	Part no	TY no	Qty
1	SCREW MC6S M6X20 8.8 FZB	EOHT-310027	10990533	3
2	SCREW MC6S M8X55 12.9	EOHT-310237	10990559	3
3	SHAFT TAP	EOHT-110803	10990446	3
4	GAMMA RING 9RB 20x37x4	EOHT-111260	10990459	3
5	SCREW MC6S M6X16 8.8 FZB	EOHT-310082	10990546	6
6	SCREW MFTS M5X10 8.8 FZB	EOHT-310265	10990560	9
7	SEALING 15X26X7 HMSA7 R	EOHT-10874	10990422	3
8	SEAL COVER	EOHT-111259	10990458	3
9	CIRCLIP SGA 25	EOHT-310021	10990532	2
10	BALL BEARING 6005 2RS C3	EOHT-110019	10990424	6
11	PRESS WHEEL	EOHT-110815	10990451	2
12	SHAFT PRESSWHEEL	EOHT-110800	10990444	3
13	SCREW MFTS M6X16 10.9 FZB	EOHT-310292	10990564	18
14	FIXING BOSS	EOHT-110023	10991135	18
15	PULLEY ASSEMBLY COMPLETE	EOHT-111278	10990460	3
16	SCREW MC6S M6X25 12.9 FZB	EOHT-310035	10990536	9
17	SCREW FMFTS M12X1,25X20 10.9 FZB	EOHT-310138	10991179	12
18	SCREW M6SH M10x25 12.9	EOHT-310282	10990563	1
19	WASHER TBR SB M10	EOHT-310042	10990537	4
20	SCREW M6SH M10x25 8.8 FZB	EOHT-310114	10990547	3
21	LOWER COVER	EOHT-110802	10990445	1
22	SHAFT CENTERPULLEY	EOHT-111189	10990456	1
23	CIRCLIP SGH 47	EOHT-310144	10990551	1
24	DISTANCE CENTERPULLEY	EOHT-111192	10990457	1
25	CENTER PULLEY	EOHT-110814	10990450	1
26	BELT INNER S-250	EOHT-110021	10990425	1
27	EDGING STRIP	EOHT-110810	10990447	1
28	COVER CENTER	EOHT-110652	10990431	1
29	UPPER LID	EOHT-110811	10990448	1
30	CIRCLIP SGA 60	EOHT-310018	10990530	1
31	BALL BEARING 6012 2RS1 C3	EOHT-110026	10990426	1
32	HOUSING CENTRE	EOHT-110673	10990437	1
33	NILOS RING	EOHT-10472	10990420	1
34	ENGINE PLATE	EOHT-110812	10990449	1
35	BELT UPPER S-140	EOHT-111513	10990462	1
36	SAFETY COVER COMPL. W. BRUSH STRIP	EOHT-112290	10990767	1
37	BRUSH STRIP	EOHT-112637	10990496	1,2 M

FGE 530P Grind Holder



FGE 530P Grind Holder**GRINDHOLDER Ø230 COMPLETE – 112252**

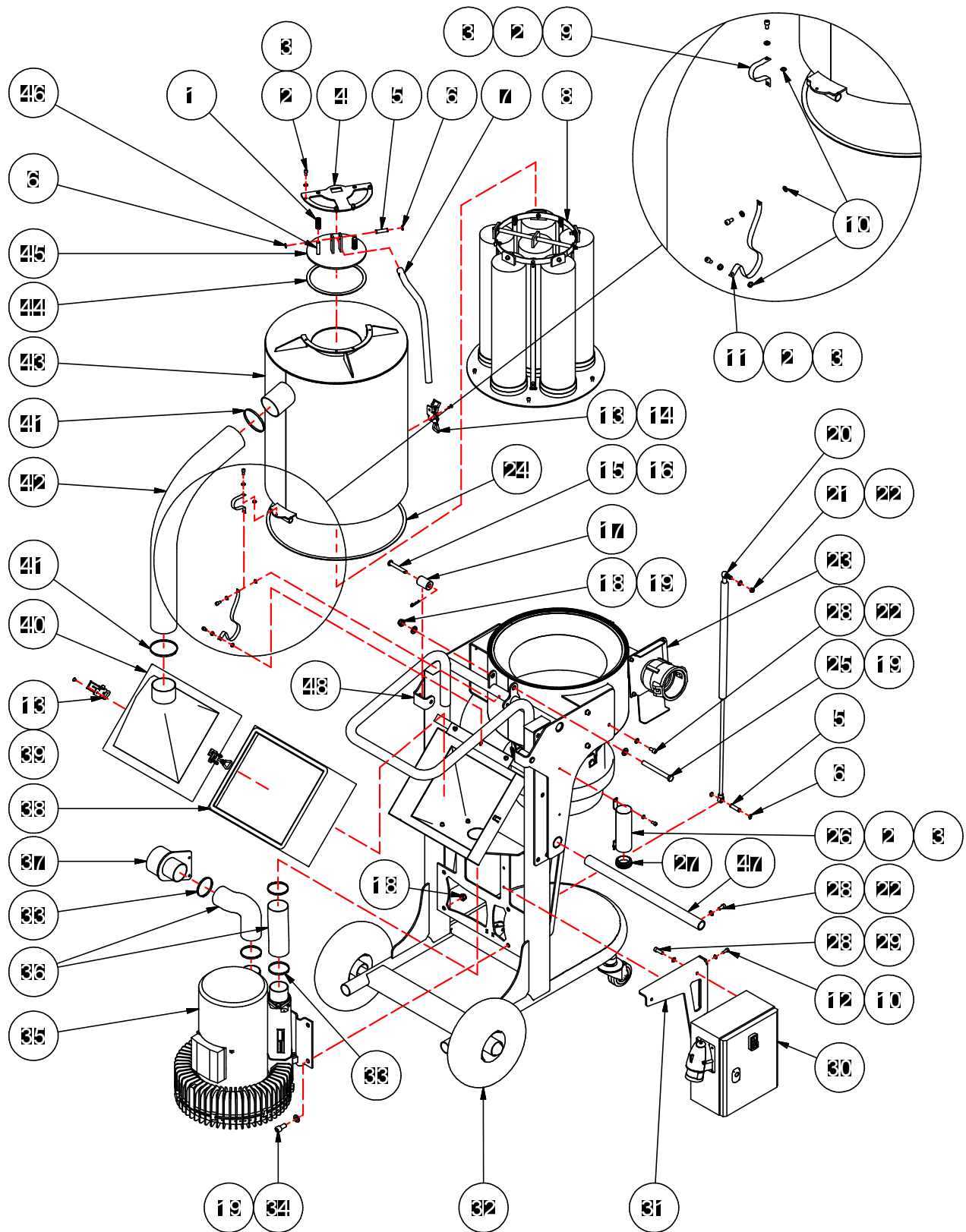
Item	Description	Part no	TY no	Qty
1	SCREW MFTS M6X12 10.9 FZB	EOHT-310312	10990568	8
2	SCREW MC6S M10X30 10.9 FZB	EOHT-310190	10990556	1
3	BRICKA FBB M10 FZB	EOHT-310379	10990572	4
4	SHOCK ABSORBER 20x25 M6	EOHT-112247	10990467	1
5	EAR CARDAN	EOHT-112334	10990476	4
6	WASHER BRB M10 FZB	EOHT-310048	10990538	4
7	SCREW MC6S M10X35 8.8 FZB	EOHT-310301	10990565	4
8	CROSS COMPLETE HTC 500-950	EOHT-110967	10990453	1
9	GRIND HOLDER PLATE	EOHT-112240	10990464	1
10	CARDAN CONNECTION	EOHT-112241	10990465	1
11	WASHER	EOHT-112243	10990466	1
12	UPPER GRIND HOLDER PLATE	EOHT-112239	10990463	1
13	SCREW MFTS M6X20 10.9 FZB	EOHT-310212	10990558	8

Table of Contents

Contents

Table of Contents	1
VCE 4000P Master Assembly	2
VCE 4000P Chassis	5
VCE 4000P Lower Canister Assembly	8
VCE 4000P Filter Assembly	10
VCE 4000P Electrical – 3x230V	Error! Bookmark not defined.
VCE 4000P Electrical – 3x400V	Error! Bookmark not defined.
VCE 4000P Electrical – 3x460V	Error! Bookmark not defined.

VCE 400P Master Assembly

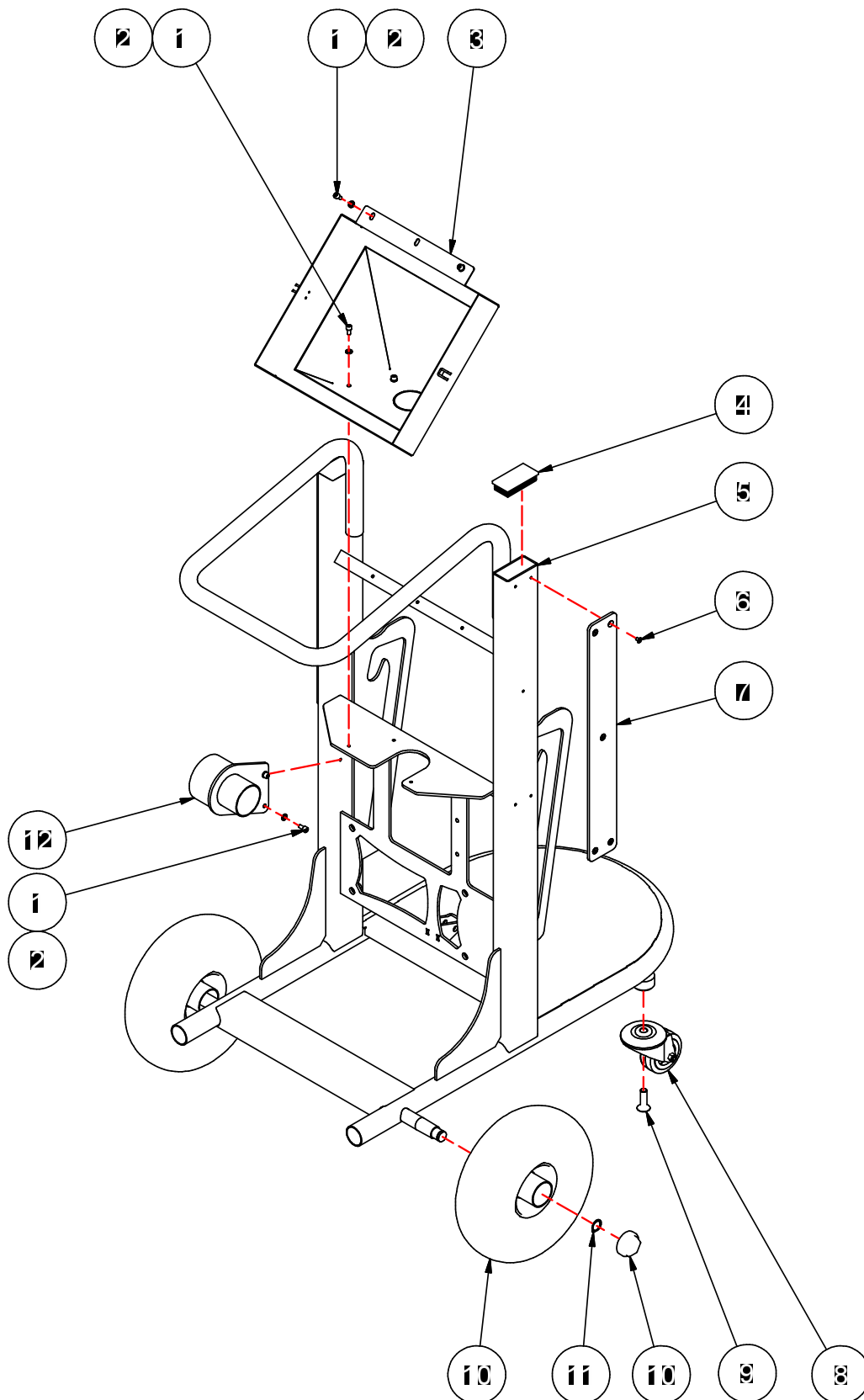


VCE 4000P Master Assembly

Item	Description	Part no	TY no	Qty
1	Spring	EOHT-113102	10990510	2
2	Screw MC6S M6x12	EOHT-310030	10990535	9
3	Washer BRB M6	EOHT-310012	10990527	9
4	Valve support handle	EOHT-500856	10990636	1
5	Valve pin	EOHT-500657	10990589	2
6	Circlip SGA 10	EOHT-310165	10990553	4
7	Valve handle	EOHT-500656	10990588	1
8	Cassette for the bag house filters	EOHT-500729	10990601	1
9	Ground cable 100mm	EOHT-113162	10990521	1
10	Washer IZ M6	EOHT-310414	10990578	6
11	Ground cable 250mm	EOHT-113161	10990520	1
12	Screw MC6S M6x16	EOHT-310082	10990546	3
13	Latch	EOHT-112501	10990482	3
14	Screw MFT M5x12	EOHT-310141	10990550	3
15	Cylindrical bolt	EOHT-113104	10990512	2
16	Locking clip	EOHT-310147	10990552	2
17	Backing roller	EOHT-500692	10990596	2
18	Locknut LM6M M12	EOHT-310004	10990526	5
19	Washer BRB M12	EOHT-310057	10990539	6
20	Gas spring	EOHT-113103	10990511	1
21	Locknut LM6M M8	EOHT-310067	10990540	1
22	Washer BRB M8	EOHT-310077	10990544	9
23	Complete vac lower section	-	-	-
24	Rubber list 15x8	EOHT-112510	10990486	1,5 M
25	Screw M6S M12x120	EOHT-310203	10990557	1
26	Zip ties holder	EOHT-500929	10990643	1
27	Plastic plug	EOHT-112496	10990480	1
28	Screw MC6S M8x16	EOHT-310080	10990545	12
29	Washer Serrated Inner DIN 6798 - A 8,4	EOHT-310415	10990579	3
30	Power unit 4kW GL VAC, 3x230V	EOHT-550116-5015	10991172	1
30	Power unit 4kW GL VAC, 3x400V	EOHT-550114-5015	10991171	1
31	Bracket electric box	EOHT-500693	10990597	1
32	Complete vac chassi	-	-	-
33	Hose clamp 2,5"	EOHT-112529	10990489	4
34	Screw MC6S M12x25	EOHT-310175	10990554	4
35	Side channel fan 4kW 3x400/460V	EOHT-112994	10990499	1

35	Side channel fan 4kW 3x230V	EOHT-113111	10990514	1
36	Hose 2,5"	EOHT-113013	10991137	1
37	Holder camlock	EOHT-500685	10990594	1
38	Absolute filter	EOHT-112506	10990484	1
39	Screw MF6S M5x8	EOHT-310028	10990534	6
40	Upper hood abs. filter holder	EOHT-500677-5015	10991154	1
41	Hose clamp 3"	EOHT-112530	10990490	2
42	Hose 3"	EOHT-113169	10991138	1
43	Vac middle section assy	EOHT-500636-5015	10991153	1
44	Rubber list 9x3	EOHT-112509	10990485	0,6 M
45	Valve upper plate assy	EOHT-500652	10990586	1
46	Valve swivel pin	EOHT-500654	10990587	2
47	Guide bar	EOHT-500850	10990635	1
48	Guide	EOHT-500673	10990591	1

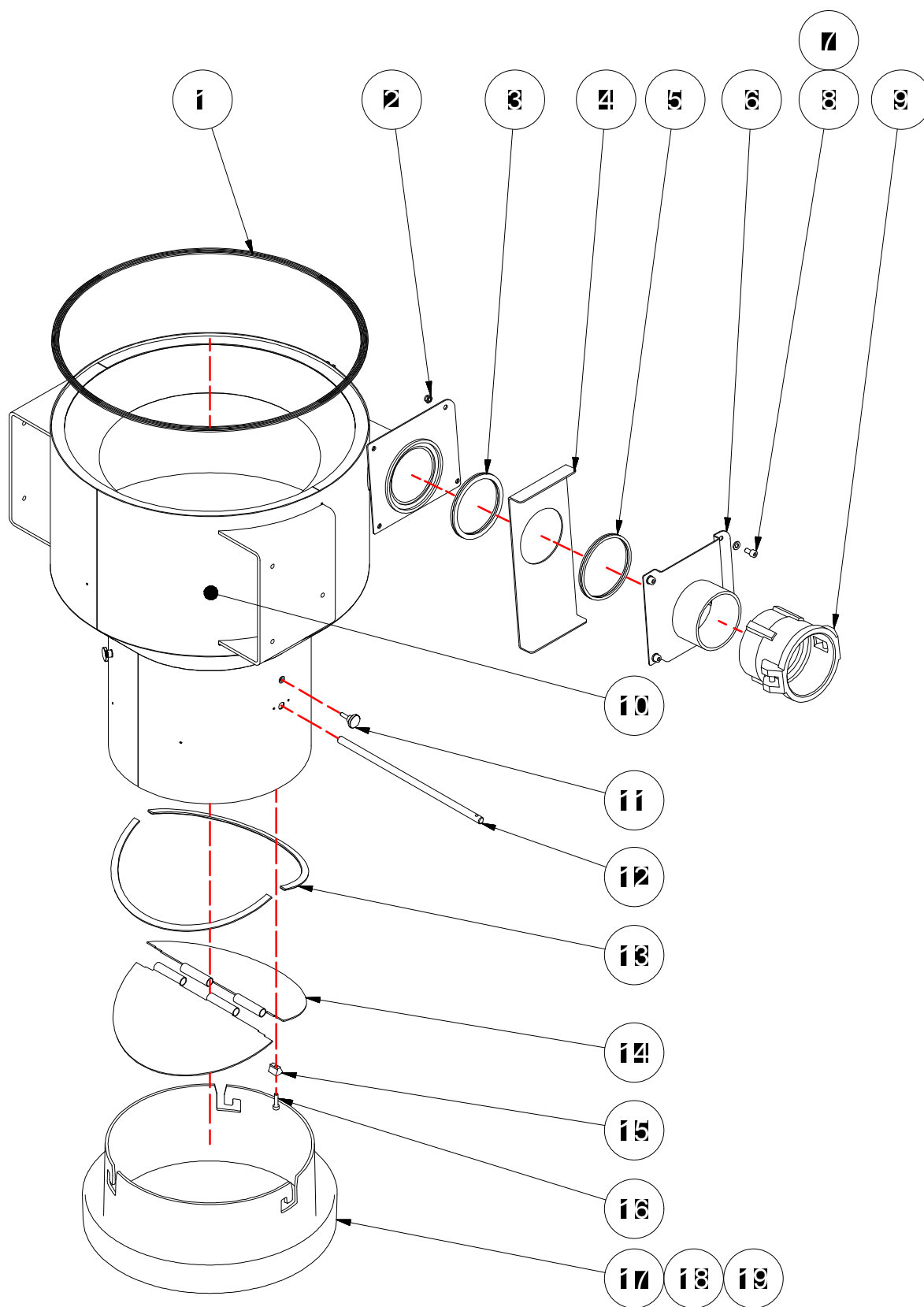
VCE 4000P Chassis



VCE 4000P Chassis

Item	Description	Part no	TY no	Qty
1	Screw MC6S M6x12	EOHT-310030	10990535	7
2	Washer BRB M6	EOHT-310012	10990527	7
3	Lower hood abs. filter holder	EOHT-500681-5015	10991155	1
4	Cap 40x80	EOHT-110580	10991136	2
5	Chassi Greyline vac	EOHT-500662	10990590	1
6	Screw MF6S M5x8	EOHT-310028	10990534	10
7	Wear protection	EOHT-500690	10990595	2
8	Swivel castor	EOHT-113100	10990509	2
9	Screw MF6S M12x40	EOHT-310328	10990569	2
10	Wheel	EOHT-110382	10990429	2
11	Circlip SGA 20	EOHT-310016	10990529	2
12	Holder camlock	EOHT-500685	10990594	1

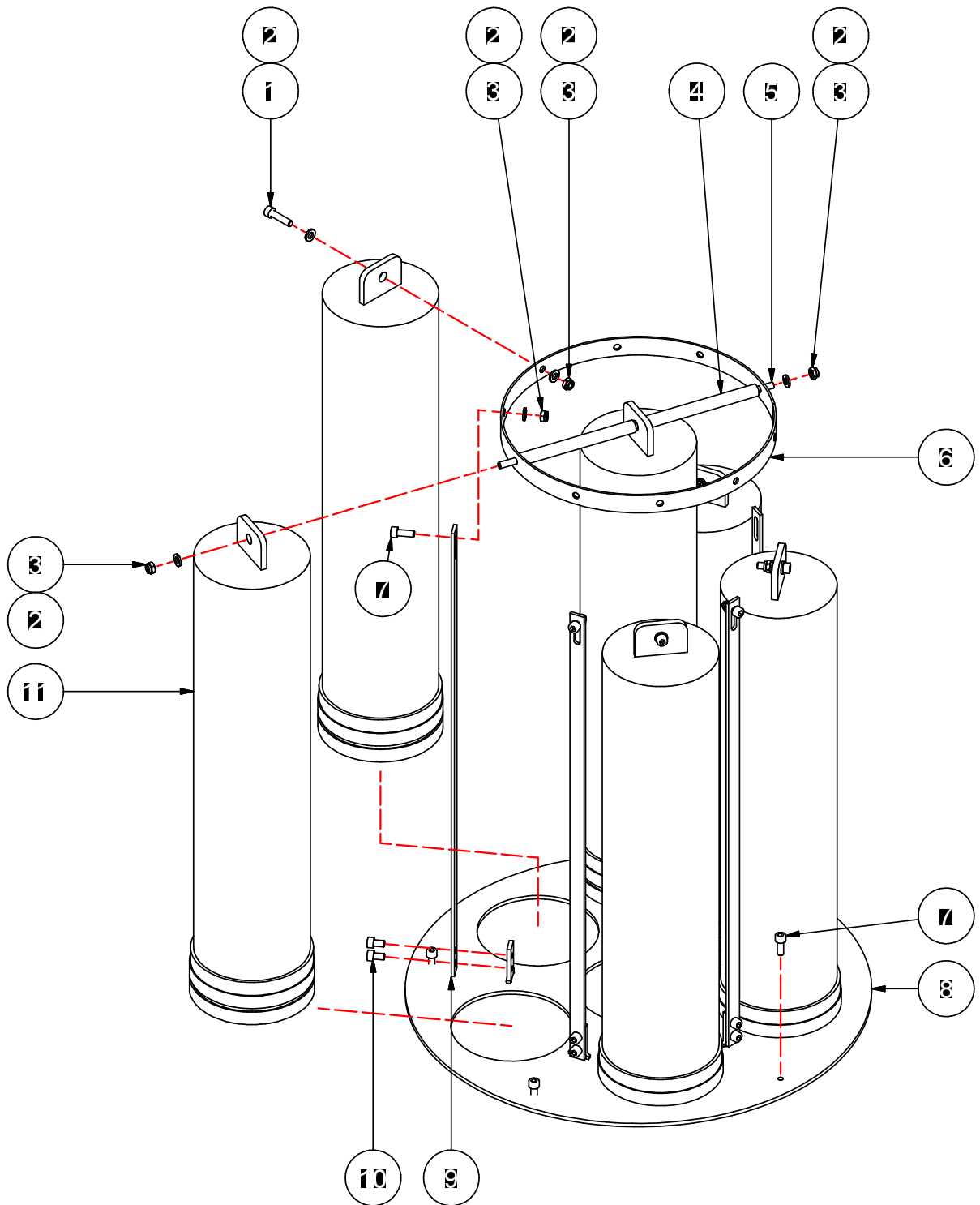
VCE 4000P Lower Canister Assembly



VCE 4000P Lower Canister Assembly

Item	Description	Part no	TY no	Qty
1	Rubber list 15x8	EOHT-112510	10990486	1,5 M
2	Locknut LM6M M6	EOHT-310072	10990541	4
3	Plastic sealing	EOHT-112909	10990498	1
4	Movable plate	EOHT-112500	10990481	1
5	Plastic sealing	EOHT-112605	10990493	1
6	Valve plate	EOHT-500862-5015	10991165	1
7	Washer BRB M6	EOHT-310012	10990527	4
8	Screw MC6S M6x12	EOHT-310030	10990535	4
9	Camlock female inside 3"	EOHT-113118	10990515	1
10	Vac lower section	EOHT-500625-5015	10991152	1
11	Bayonet	EOHT-112504	10990483	3
12	Axle for dust hatch	EOHT-500704	10990599	1
13	Rubber list 9x3	EOHT-112509	10990485	2x 0,5 M
14	Dust hatch	EOHT-500697	10990598	2
15	Wedge dust hatch	EOHT-500994	10991146	1
16	Screw MC6S M5x20	EOHT-310185	10991141	1
17	Longopac holder	EOHT-112329	10990475	1
18	Longopac	EOHT-112617	10990495	1
19	Strap band	EOHT-112323	10990474	1

VCE 4000P Filter Assembly



VCE 4000P Filter Assembly

Item	Description	Part no	TY no	Qty
1	Screw MC6S M6x25	EOHT-310035	10990536	4
2	Washer BRB M6	EOHT-310012	10990527	14
3	Locknut LM6M M6	EOHT-310072	10990541	10
4	Distance	EOHT-500863	10990638	2
5	Threaded rod	EOHT-500734	10990604	1
6	Horizontal holding fixture	EOHT-500728	10990755	1
7	Screw MC6S M6x16	EOHT-310082	10990546	9
8	Lower holding fixture	EOHT-500730	10990602	1
9	Vertical holding fixture	EOHT-500733	10990603	5
10	Screw MC6S M6x10	EOHT-310005	10991140	10
11	Filter	EOHT-113105	10990513	6