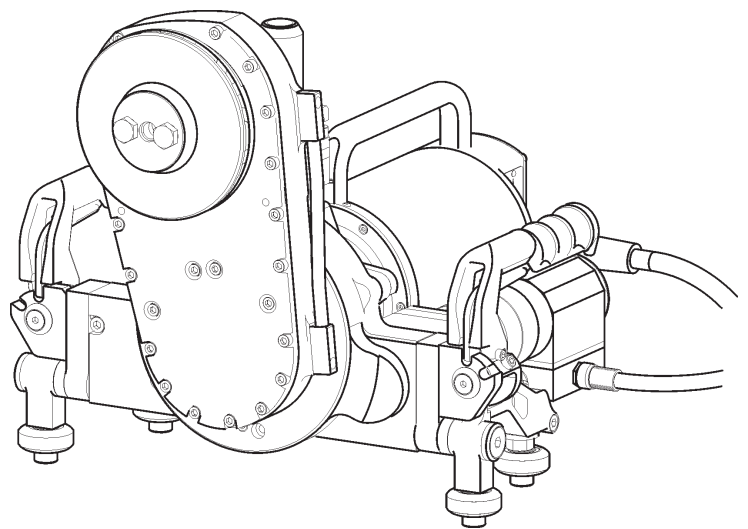


Ersatzteilliste

Spare Parts List / Liste des pièces détachées / Lista delle parti di ricambio

WSE1217★ ★ ★

Index 000



Verwendung der Ersatzteilliste

Die Ersatzteilliste ist keine Montage- oder Demontageanleitung. Diese Ersatzteilliste dient ausschliesslich zum einfachen und schnellen Finden von Ersatzteilen, die bei der untenstehenden Adresse bestellt werden können.

Sicherheitsvorschrift



Gefahr

Montieren oder demontieren von Baugruppen kann Risiken bergen, auf die in dieser Ersatzteilliste nicht hingewiesen wird.

Das Verwenden dieser Ersatzteilliste für Montage- oder Demontagezwecke ist strikte verboten. Für Montage- und Demontearbeiten sind ausschliesslich die entsprechenden Beschreibungen in der Betriebsanleitung zu befolgen.

Nichtbeachten dieser Vorschrift kann zu Verletzungen führen, die im schlimmsten Fall auch den Tod zur Folge haben könnten.

Bestellungen



Information

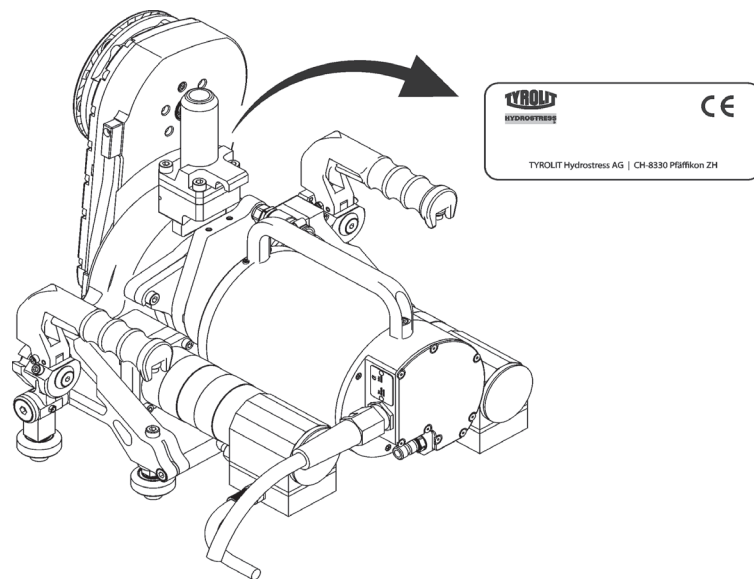
Um Falschliefereien zu vermeiden sollten vor der Versendung die Angaben in der Bestellung auf Richtigkeit und Vollständigkeit (siehe unter Bestellangaben) überprüft werden. Es ist auch darauf zu achten, dass die Lieferadresse vollständig angegeben ist.

Bestelladresse

TYROLIT Hydrostress AG
Witzbergstrasse 18
CH-8330 Pfäffikon
Switzerland
Telefon +41 (0) 44 / 952 18 18
Telefax +41 (0) 44 / 952 18 00
e-mail: info@tyrolit.com
www.tyrolit.com

Ersatzteilliste

Bestellangaben



Bei Bestellungen von Ersatzteilen benötigen wir folgende Angaben:

- Maschinentyp gemäss Typenschild (z.B. WSE1217★★★)
- Maschinennummer gemäss Typenschild (z.B. 20030000)
- Maschinenindex gemäss Typenschild (z.B. 000)
- Ersatzteilnummer gemäss Ersatzteilliste (z.B. 961901)

Für Bestellungen, Fragen und Informationen wenden Sie sich bitte an die zuständige Niederlassung.

How to use the spare parts list

The spare parts list is not intended as instructions for assembly or dismantling work. It is exclusively intended to help you to quickly and easily find spare parts, which can then be ordered at the address below.

Safety regulations



Danger

The assembling or dismantling of modules can involve risks which are not identified in this spare parts list.
The use of this spare parts list for assembly or dismantling purposes is strictly forbidden. For assembly or dismantling tasks it is essential to only follow the corresponding descriptions in the operating manual.
If this regulation is not heeded injuries may be incurred which in the worst case can also be fatal.

Ordering



Information

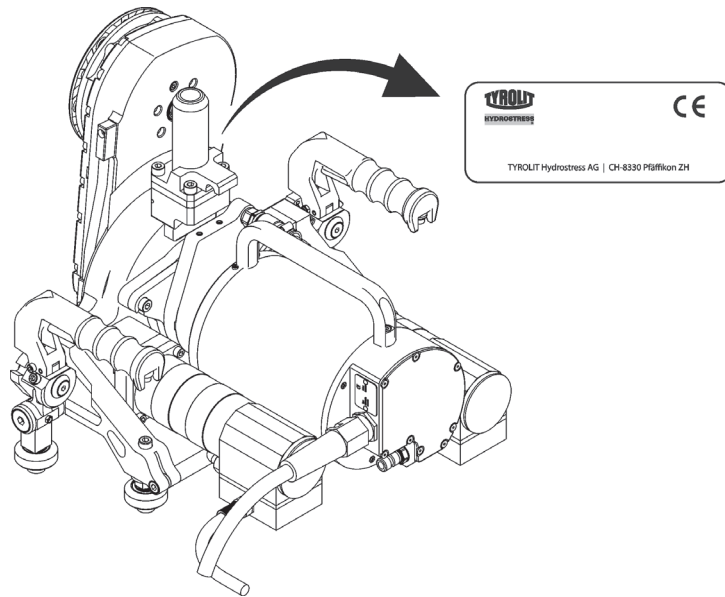
To avoid incorrect deliveries you should check the order details for correctness and completeness (see under ordering details) prior shipment.
You should ensure that the delivery address is given in full.

Order address

TYROLIT Hydrostress AG
Witzbergstrasse 18
CH-8330 Pfäffikon
Switzerland
Tel. +41 (0) 44 / 952 18 18
Fax +41 (0) 44 / 952 18 00
e-mail: info@tyrolit.com
www.tyrolit.com

Spare Parts List

Ordering details



When spare parts are ordered we need the following details:

- Machine type according to nameplate (e.g. WSE1217★★★)
- Machine number according to nameplate (e.g. 20030000)
- Machine index according to nameplate (e.g. 000)
- Spare part number according to the spare parts list (e.g. 961901)

For orders, questions and information please contact your responsible branch office.

Utilisation de la liste des pièces détachées

La liste des pièces détachées n'est pas une instruction de montage ou de démontage. Cette liste sert exclusivement à trouver simplement et rapidement les pièces détachées, qui peuvent être commandées à l'adresse mentionnée ci-dessous.

Prescription de sécurité



Danger

Le montage ou le démontage des modules peut présenter des risques dont il n'est pas fait mention dans cette liste des pièces détachées.
Il est strictement interdit d'employer cette liste des pièces détachées à des fins de montage ou de démontage. Pour les opérations de montage et de démontage, il faut exclusivement suivre les descriptions correspondantes dans le mode d'emploi.
Le non-respect de la présente prescription peut conduire à des blessures, pouvant même entraîner la mort.

Commandes



Information

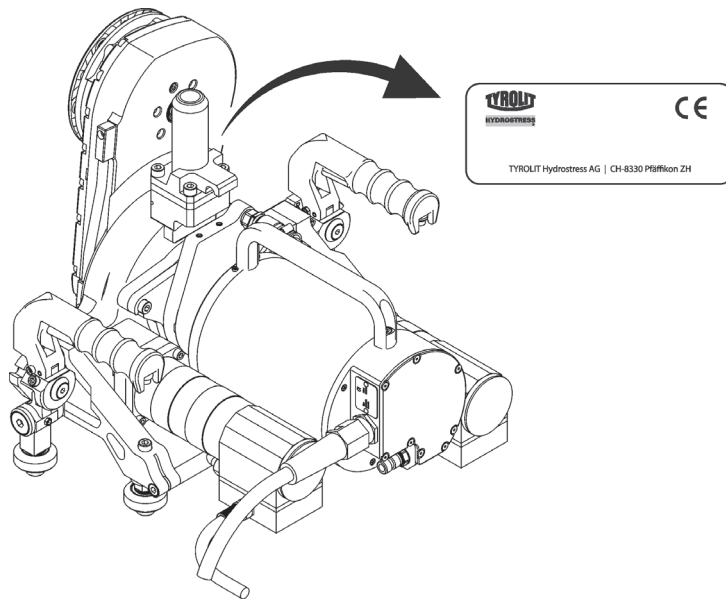
Pour éviter des livraisons inappropriées, il est conseillé de vérifier avant l'expédition l'exactitude et l'exhaustivité des indications fournies dans la commande (voir Données de commande).
Il faut aussi veiller à bien indiquer l'adresse de livraison en entier.

Adresse de commande

TYROLIT Hydrostress AG
Witzbergstrasse 18
CH-8330 Pfäffikon
Suisse
Téléphone +41 (0) 44 / 952 18 18
Télécopie +41 (0) 44 / 952 18 00
e-mail: info@tyrolit.com
www.tyrolit.com

Liste des pièces détachées

Données de commande



Lors de la commande de pièces détachées, nous avons besoin des données suivantes :

- Type de machine selon la plaque signalétique (p.ex. WSE1217★★★)
- Numéro de machine selon la plaque signalétique (p.ex. 20030000)
- Indice de machine selon la plaque signalétique (p.ex. 000)
- Numéro de pièce détachée selon la liste des pièces détachées (p.ex. 961901)

Pour les commandes, questions et informations, vous êtes prié de vous adresser à la filiale compétente.

Uso della lista delle parti di ricambio

La lista delle parti di ricambio non è un manuale d'istruzioni per montaggio o smontaggio. Questa lista delle parti di ricambio serve esclusivamente per trovare in modo semplice e rapido parti di ricambio che possono essere ordinate all'indirizzo riportato qui sotto.

Norme di sicurezza



Pericolo

Il montaggio o lo smontaggio di componenti della macchina può comportare pericoli che non sono indicati in questa lista delle parti di ricambio. E' assolutamente vietato servirsi di questa lista delle parti di ricambio per scopo di montaggio o di smontaggio. Per operazioni di montaggio o smontaggio occorre seguire esclusivamente le relative istruzioni nel manuale per l'uso della macchina. La mancata osservanza di queste norme può comportare lesioni, e nel caso peggiore anche la morte.

Ordinazioni



Information

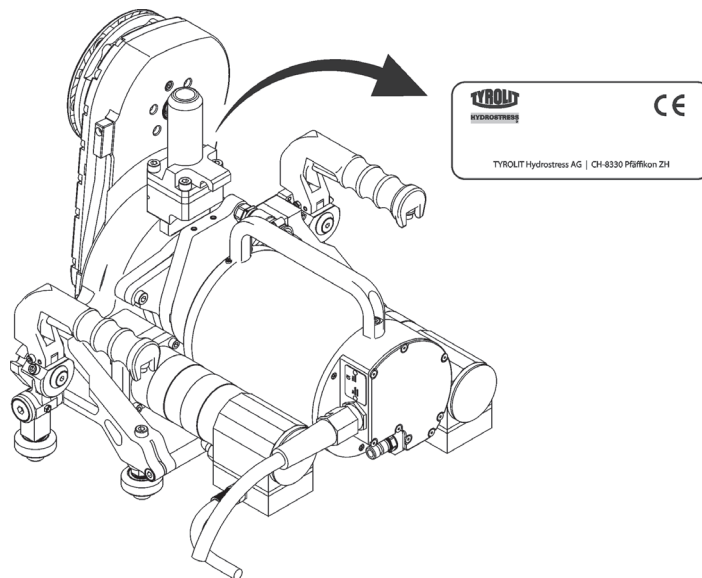
Per evitare forniture incorrette, occorre verificare prima dell'invio dell'ordinazione se i dati indicati in essa sono corretti e completi (vedere la lista dei dati per l'ordinazione). Occorre verificare anche se l'indirizzo per la consegna è esatto e completo..

Indirizzo per ordinazioni

TYROLIT Hydrostress AG
Witzbergstrasse 18
CH-8330 Pfäffikon
Svizzera
Tel. +41 (0) 44 / 952 18 18
Fax +41 (0) 44 / 952 18 00
e-mail: info@tyrolit.com
www.tyrolit.com

Lista delle parti di ricambio

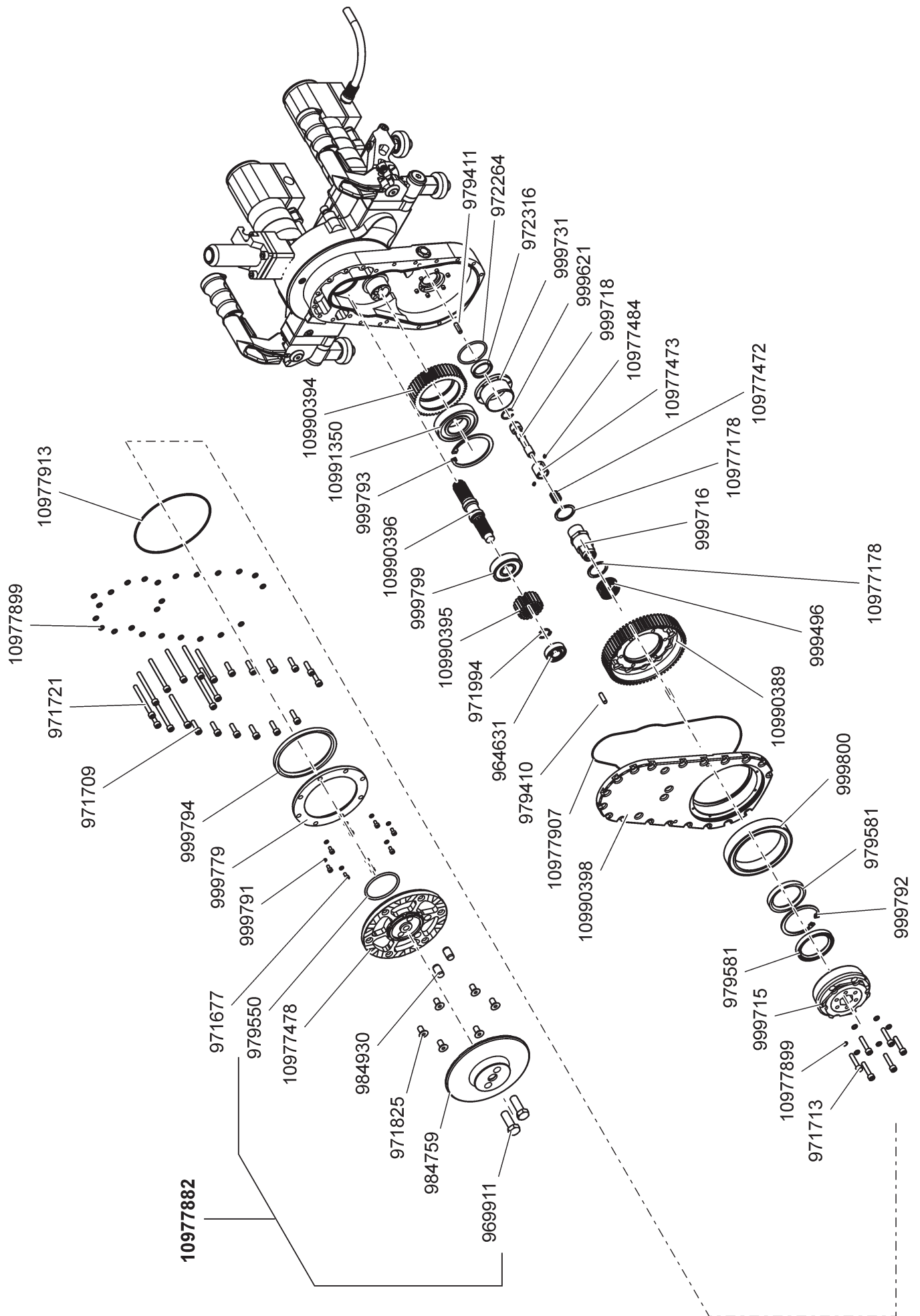
Dati per l'ordinazione

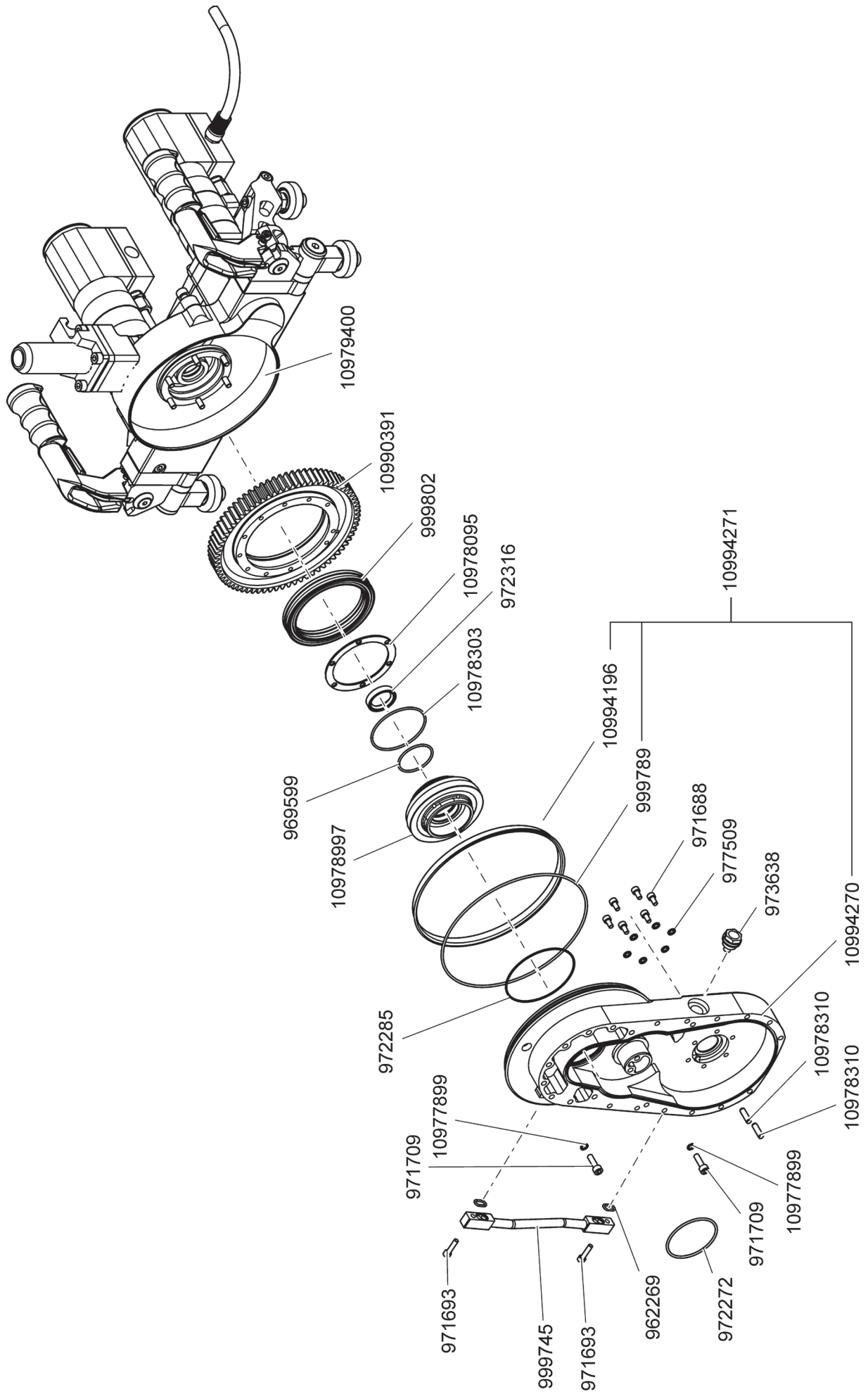


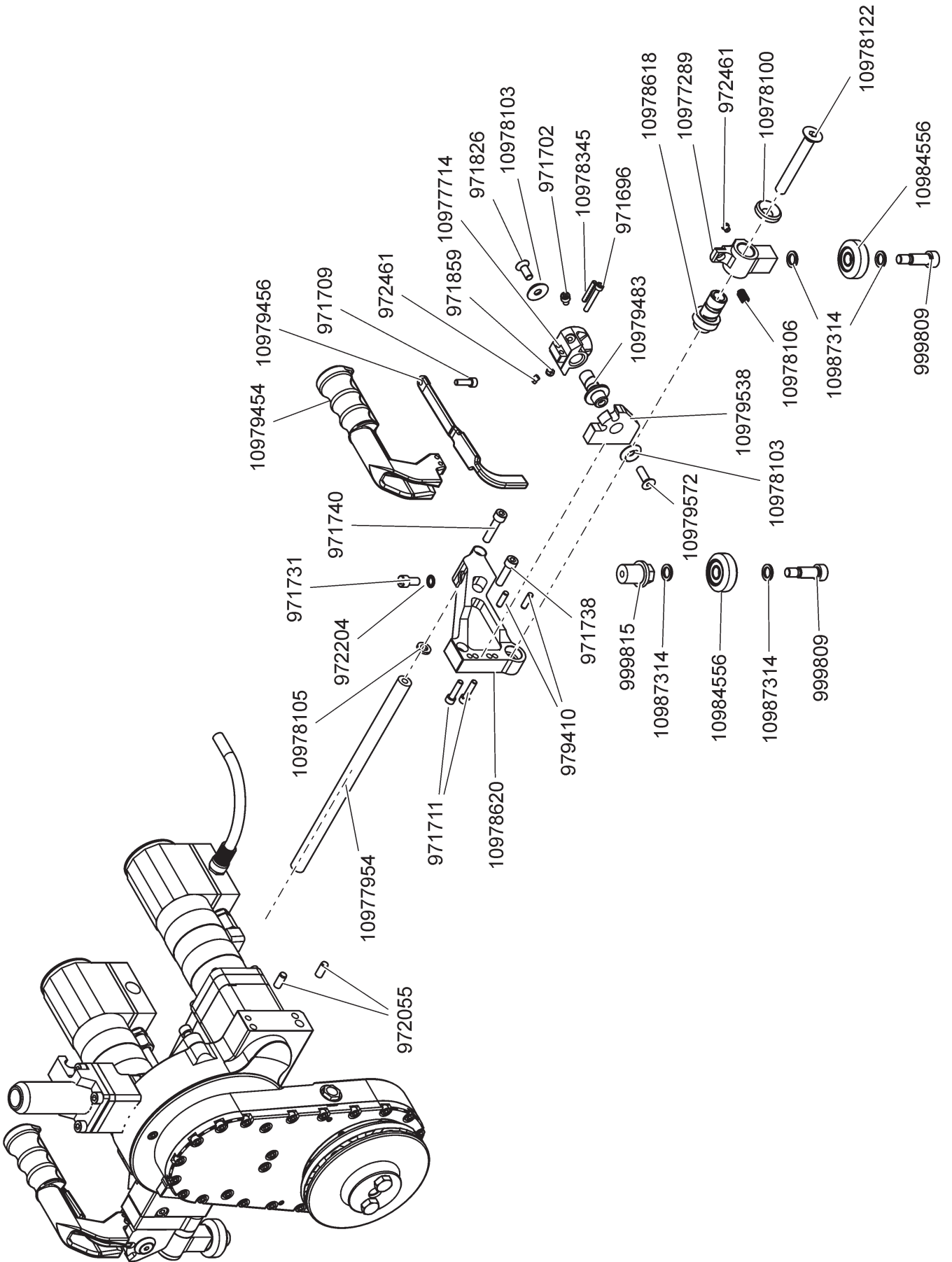
Per ordinazioni di parti di ricambio ci occorrono i dati seguenti:

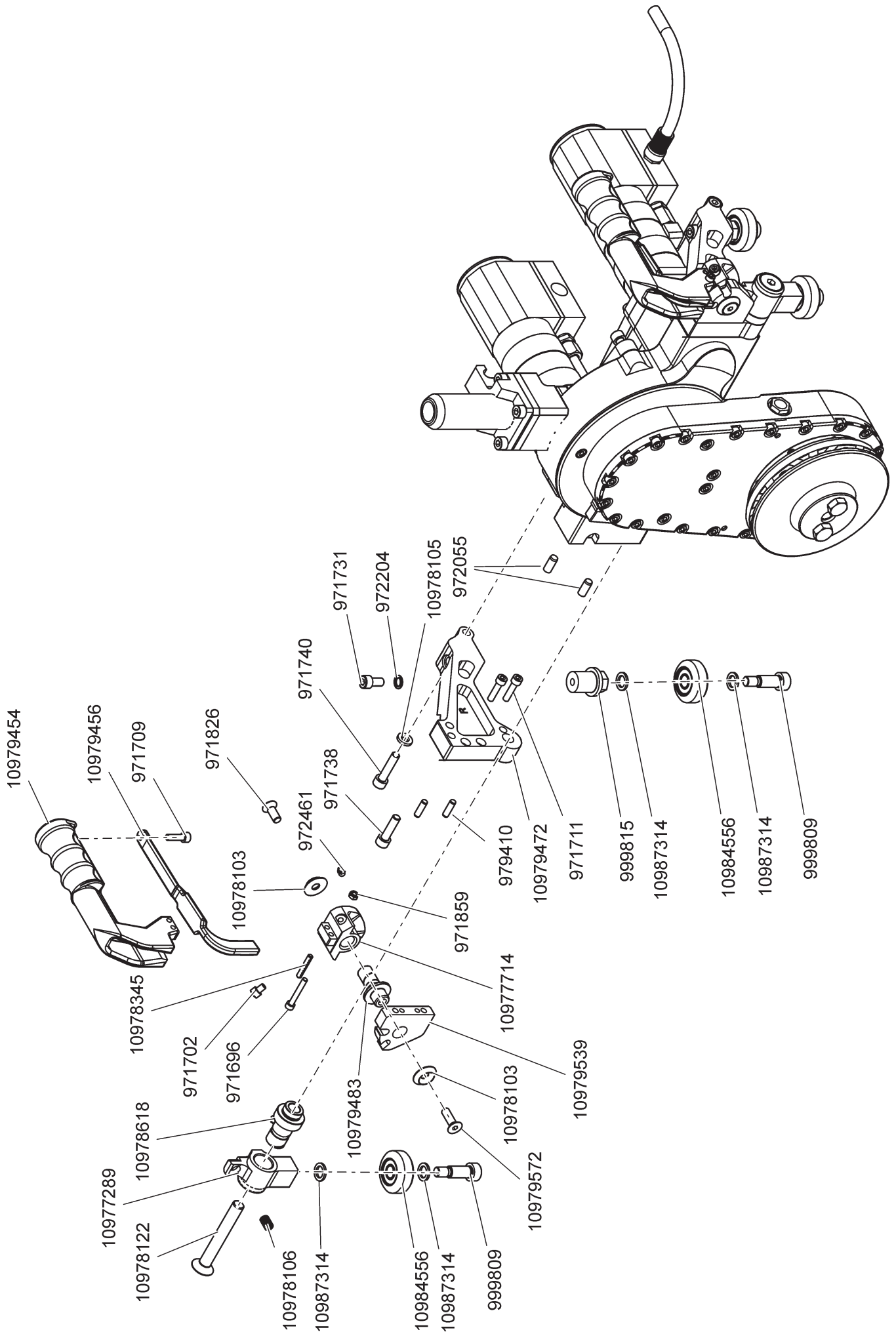
- Tipo di macchina indicato sulla targhetta della macchina (per es. WSE1217★★★)
- Numero della macchina indicato sulla targhetta della macchina (per es. 20030000)
- Indice della macchina indicato sulla targhetta della macchina (per es. 000)
- Numero della parte di ricambio secondo la lista di parti di ricambio (per es. 961901)

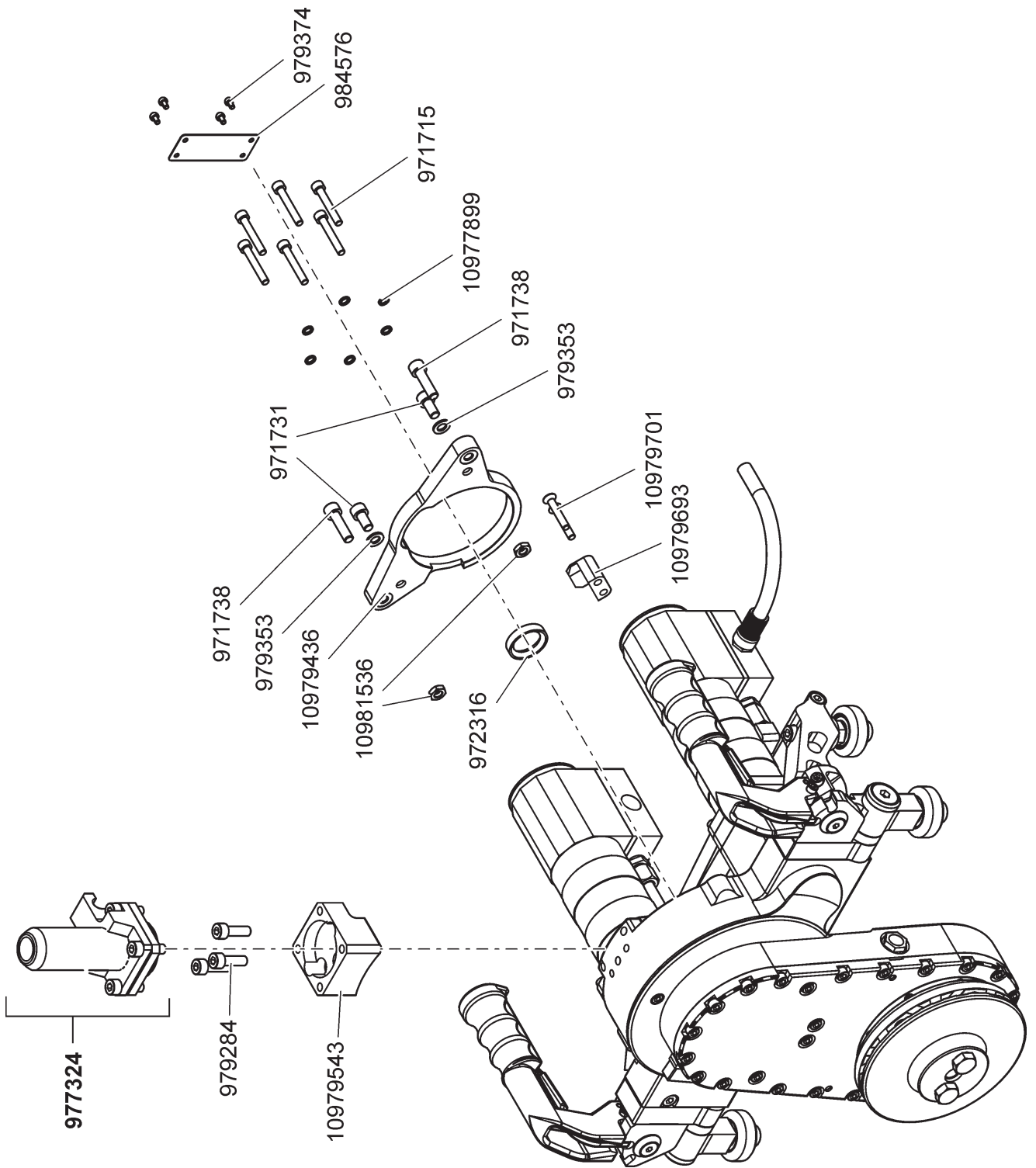
Per ordinazioni, domande o richieste d'informazioni Vi preghiamo di rivolgerVi all'agenzia competente.

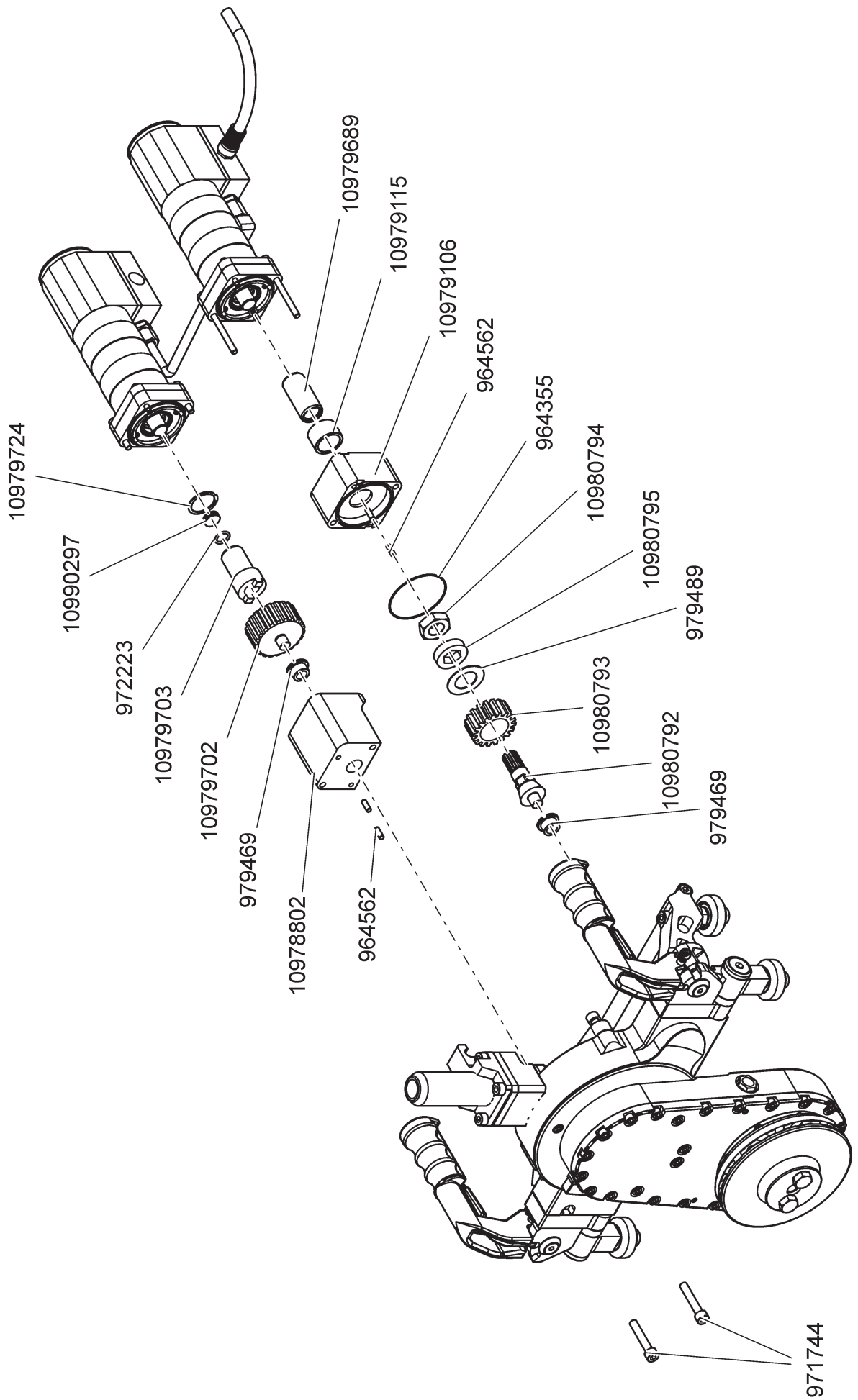


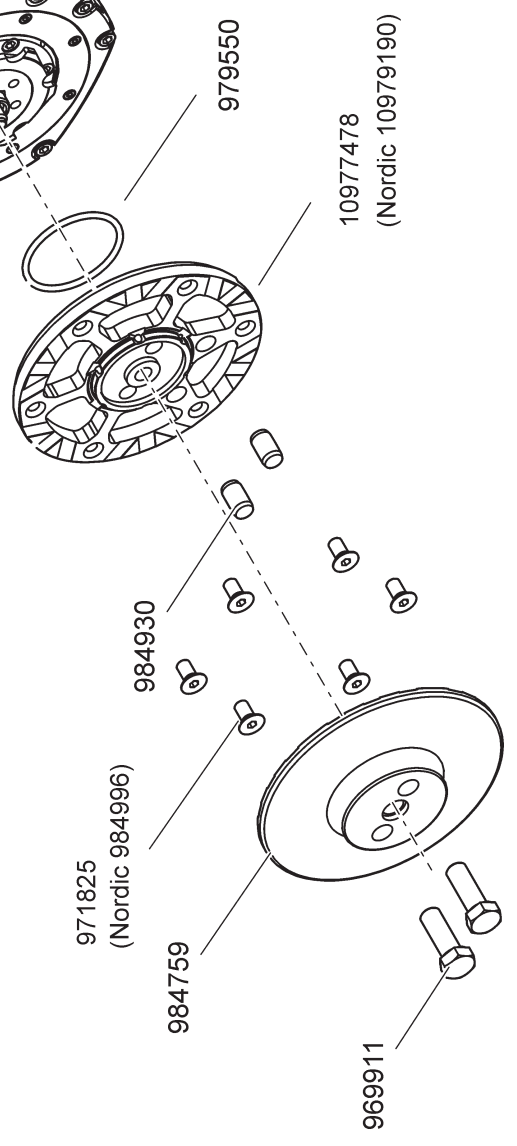
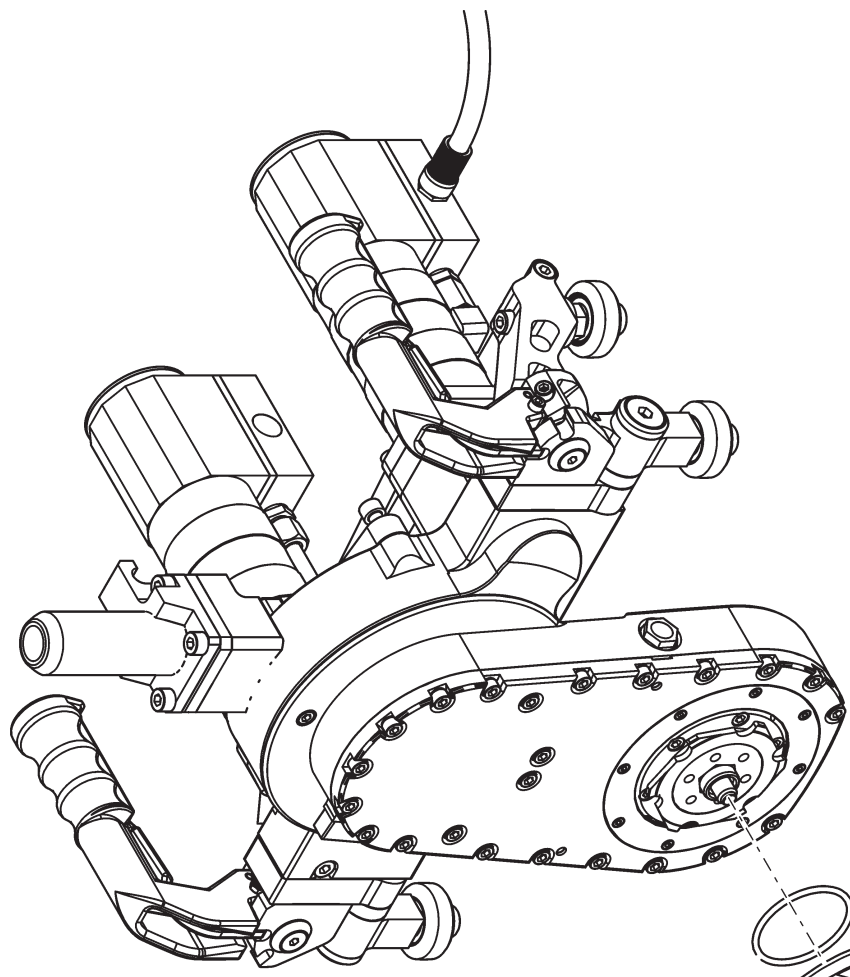
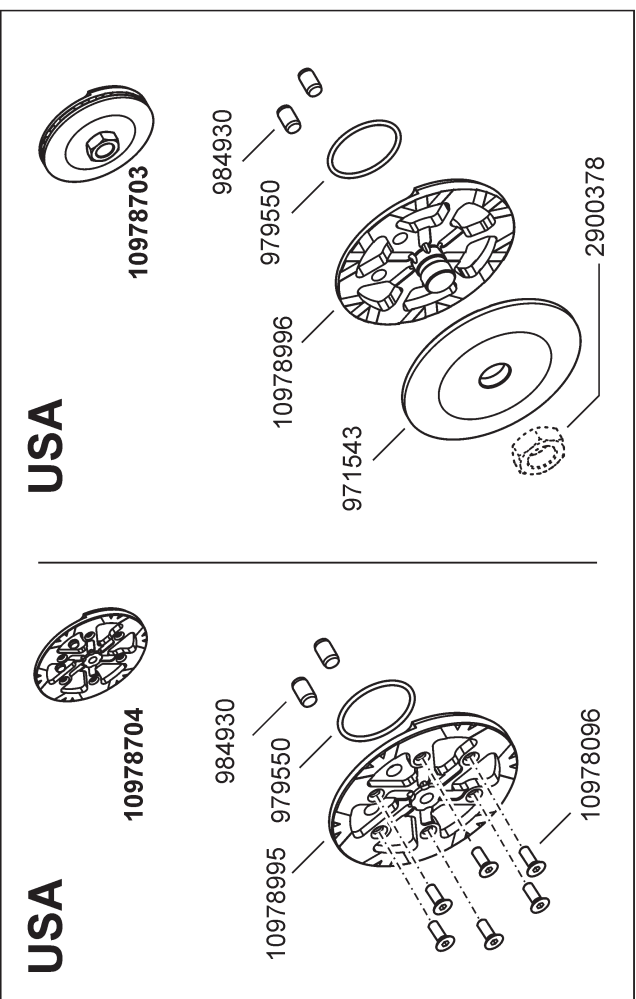


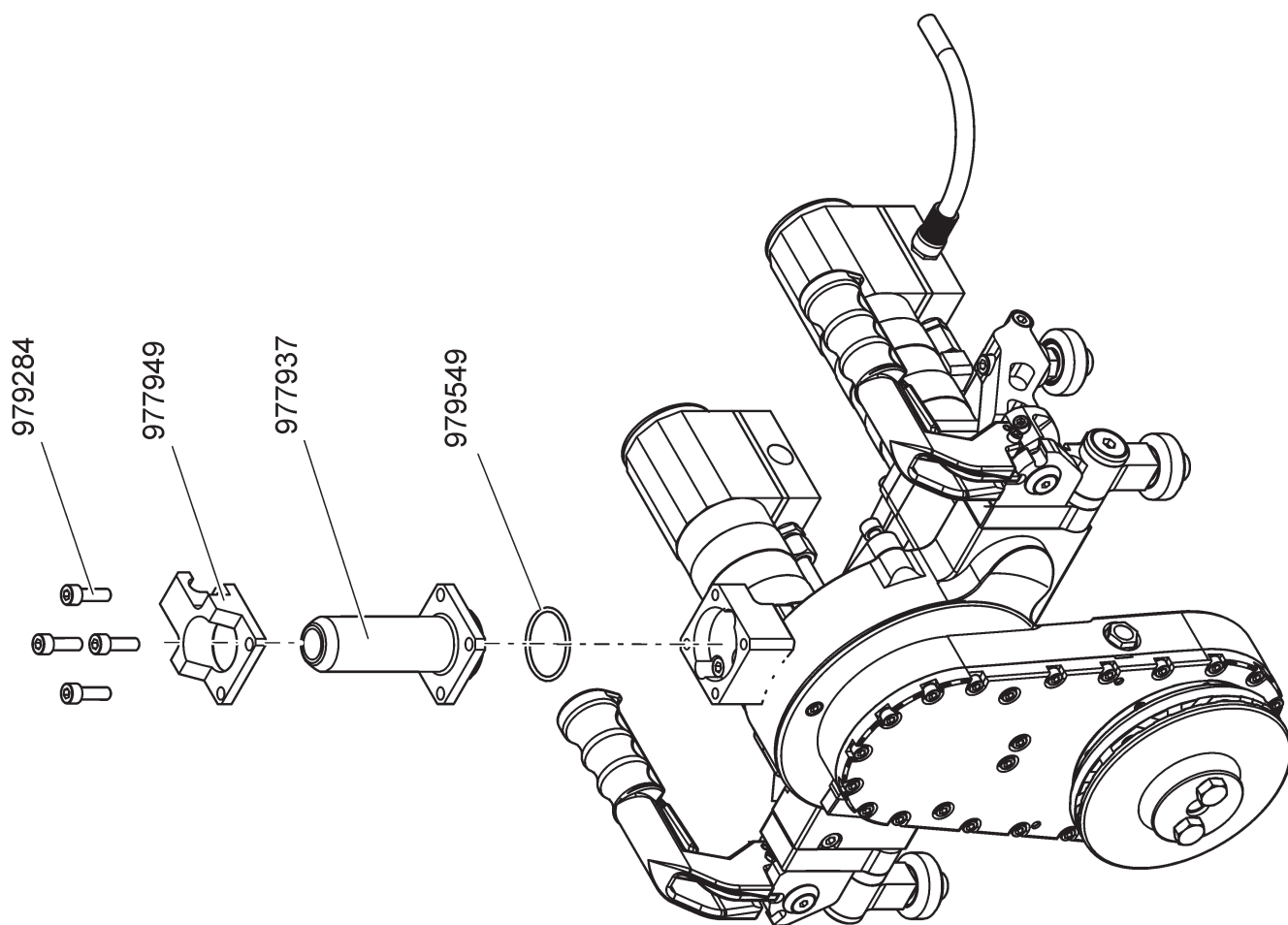


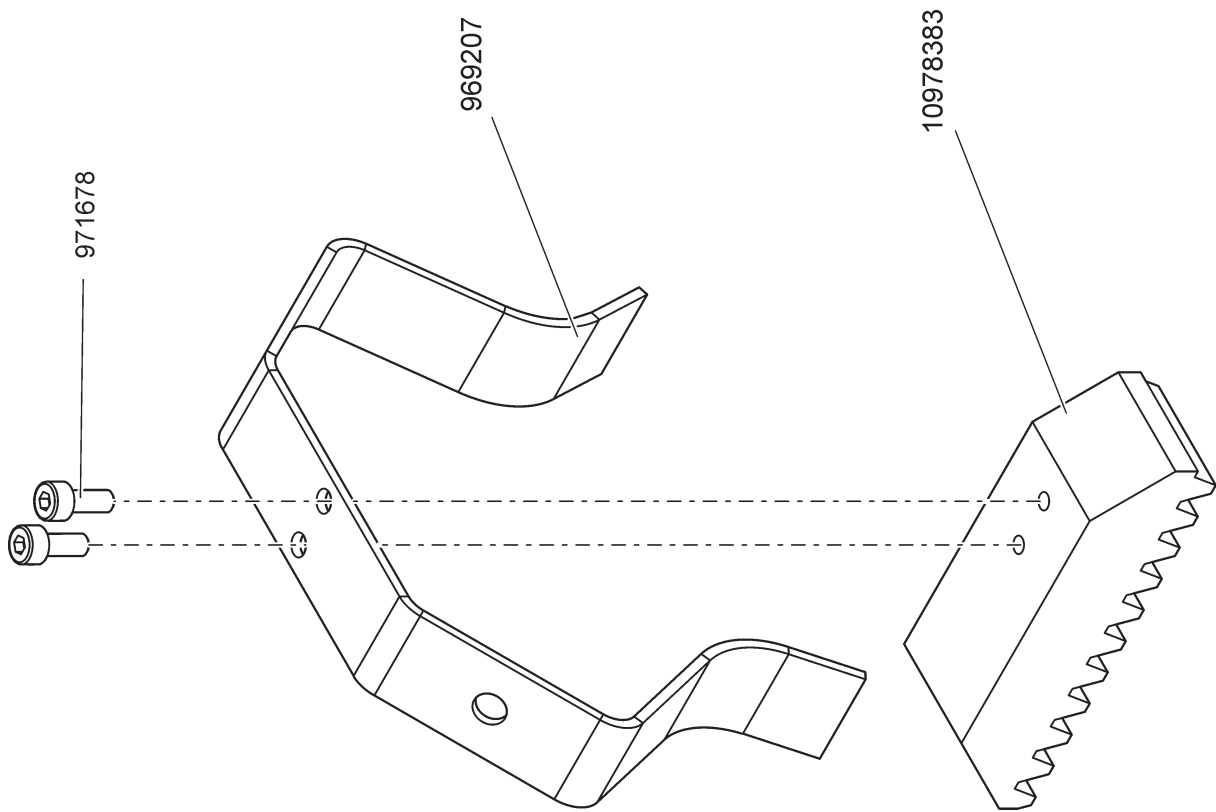


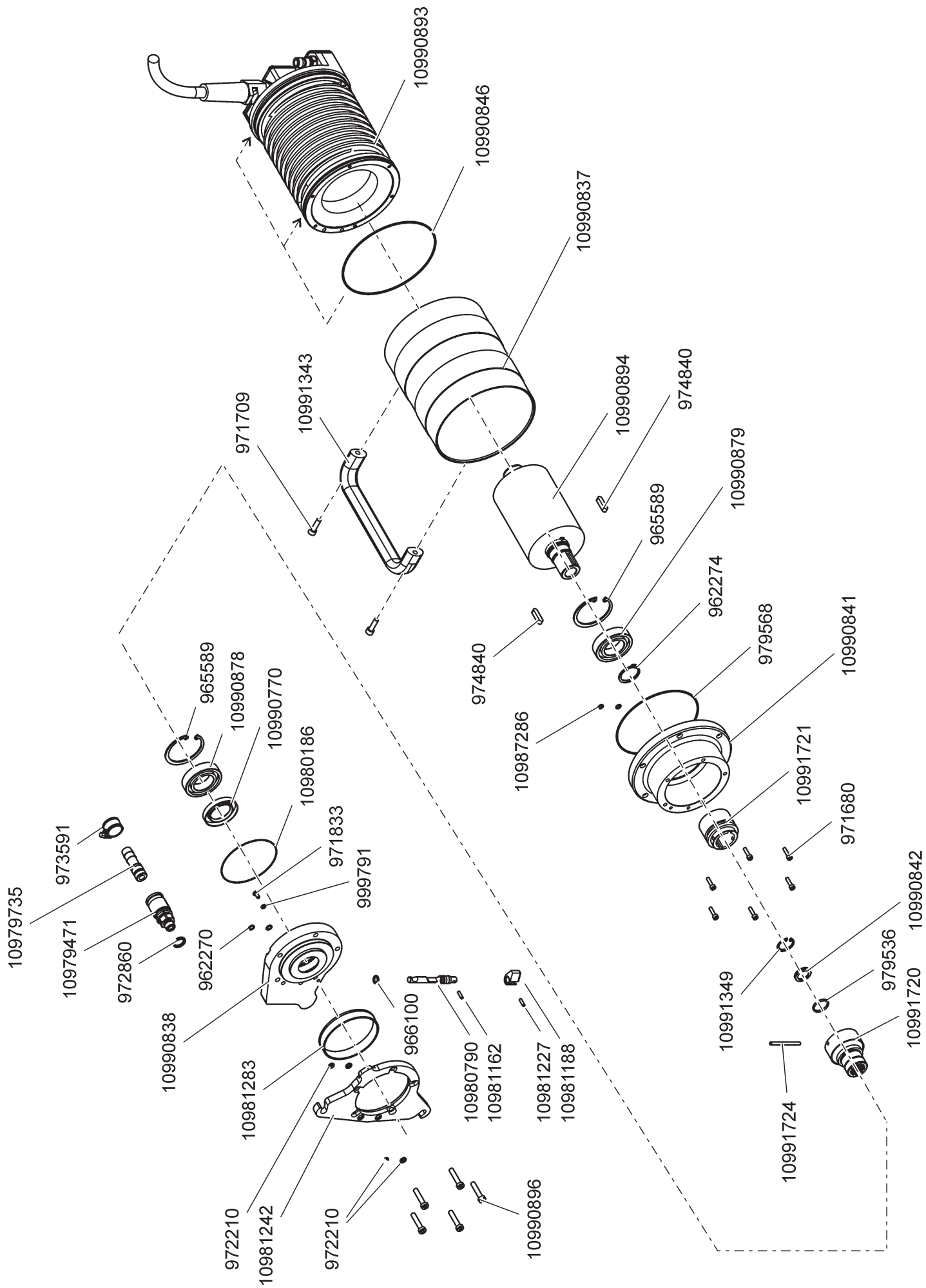


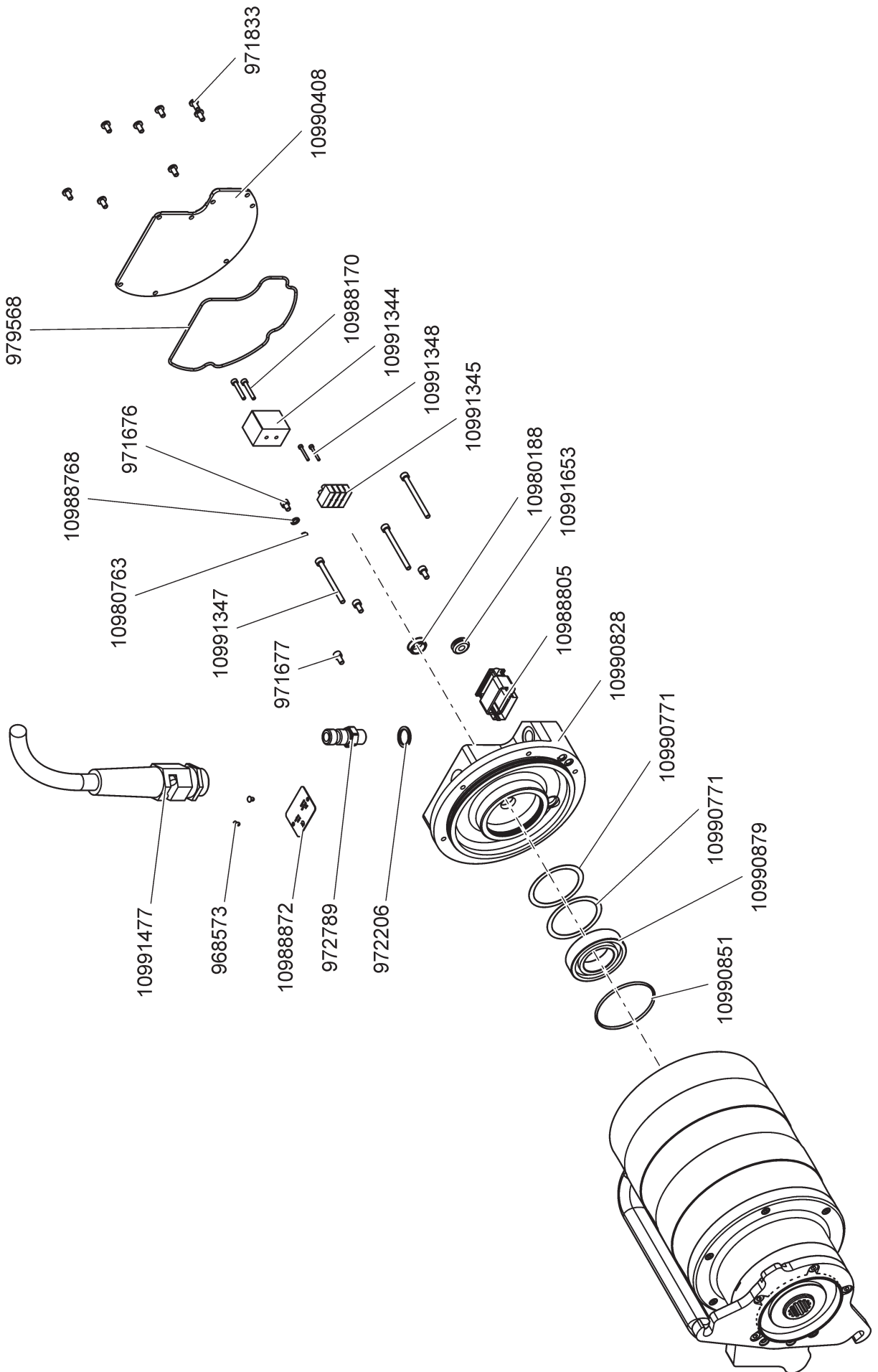












WSE1217★★★

962269	O-ring 10.00x2.00 N 70	972206	MEGU seal 13.8/18.7x1.25
962270	O-ring 6.07x1.78 N 70	972210	O-ring 5.00x2.50 N 70
962274	Circlip shaft dia 28	972223	O-ring 12.00x2.50 N 70
964355	O-ring 62.00x1.50 N 70	972264	O-ring 45.00x2.50 N 70
964562	Straight pin 5m6 x 14	972272	O-ring 59.00x3.00 N 70
964631	Gr. ball bear. 6202	972285	O-ring 85.00x3.00 N 70
965589	Circlip bore dia 55	972316	Sh.seal A 25/35/7 NBR RF
966100	O-ring 8.00x2.00 N 70	972461	Grease nipple D1 M6
968573	Grooved nail 3x4	972789	Plug nipple 1/4" A1-WRO13
969207	Stop clamp	972860	Edge sealing ring G1/4
969599	O-ring 40.00x2.50 N 70	972883	Str. fitting M14x1,5/10L
969911	Hex. screw M12x35	972989	Elbow union pipe 10L
971673	Socket screw M3x8	973591	Hose clip JCS 17-25
971676	Socket screw M4x6	973638	Drain plug w/magnet 3/8
971677	Socket screw M4x8	974840	Shaft key 6x6x25
971678	Socket screw M4x10	977509	MEGU seal 5.7/9.0x1.00
971680	Socket screw M4x16	977937	Centering bolt
971681	Socket screw M4x20	977949	Centering plate US
971688	Socket screw M5x10	979284	Socket screw M8x25
971691	Socket screw M5x16	979353	Washer M8
971693	Socket screw M5x20	979374	Grooved nail 4x6
971695	Socket screw M5x30	979410	Straight pin 6m6 x 20
971696	Socket screw M5x35	979411	Straight pin 6h6 x 20
971702	Socket screw M6x8	979469	Flanged sleeve 12/18x12
971709	Socket screw M6x20	979489	Axial washer AS 2542
971711	Socket screw M6x25	979536	O-ring 20.00x2.00 N 70
971713	Socket screw M6x30	979549	O-ring 42.00x3.00 N 70
971714	Socket screw M6x35	979550	O-ring 54.00x4.00 N 70
971715	Socket screw M6x40	979568	O-ring 118.00x2.00 N 70
971721	Socket screw M6x65	979581	Sh.seal A 50/65/8 NBR RF
971724	Socket screw M6x80	980225	Cable tie TY24MX140x3.6
971731	Socket screw M8x16	984576	Type plate small neutral
971738	Socket screw M8x30	984759	Blade cover
971740	Socket screw M8x35	984930	Straight pin 12m6 x 20
971744	Socket screw M8x45	999496	Pr. spring dia32/2.5x71.5
971825	Countersunk screw M8x16	999621	Circlip int Ø22
971826	Countersunk screw M8x20	999715	Blade hub
971833	All.screwextr.flhd M4x8	999716	Clamping sleeve
971859	Lock nut M5 thin head	999718	Hub screw M12x60
971994	Circlip shaft dia 18	999731	Hub bush
972055	Straight pin 8m6 x 20	999745	Water line
972204	MEGU seal 8.5/13.4x1.00	999779	Bearing cover

WSE1217★★★

999789	O-ring 176.00x3.00 N 70	10979483	Handle bolt M8
999791	MEGU seal 4.5/7.0x1.00	10979529	Flange feed motor
999792	Circlip bore dia 65	10979538	Handle holder left
999793	Circlip bore dia 72	10979539	Handle holder right
999794	Sh.seal A 95/110/7 NBR RF	10979543	Connecting flange
999799	Gr. ball bear. 6304-2RS	10979572	Countersunk screw M8x25
999800	Ang. ball bear. 3818-2RS	10979656	Motor incl. brake
999802	Four point bearing 68460A	10979689	Shaft coupling
999809	Shoulder screw 12x25/M10	10979693	Motor arrestor
999815	Holder eccentric roll	10979701	Countersunk screw M6x35
10977178	Spring washer	10979702	Drive pinion
10977289	Roll holder	10979703	Drive shaft
10977472	Pr. spring 13.5/0.9x56.7	10979710	Plan. gearbox PLE60 i=256
10977473	Hub ring	10979724	Circlip V bore dia 32
10977478	Blade flange N-type	10979735	Hose nip. LP-006-1-SL013
10977484	Threaded pin M4x5	10980186	O-ring 80.00x1.50 N 70
10977714	Swivelling crank	10980188	Drain plug M16x1.5
10977899	MEGU seal 6.2/9.2x1.00	10980265	Allen wrench size 10 long
10977907	O-ring 222.00x2.00 N 70	10980317	Cable assy feed motor
10977913	O-ring 133.02x2.62 N 70	10980763	Curved spring washer M4
10977954	Connection rod	10980790	Rotary valve
10978095	Distance washer 1.8	10980792	Swivelling shaft
10978100	Washer Ø30/13x6	10980793	Swivelling pinion
10978103	Washer M8 countersunk	10980794	Nut M18x1
10978105	Spacer 2.5	10980795	Locking device ring
10978106	Pr. spring 8/1.0x28.5	10981162	Coiled spring pin 4x14
10978122	Countersunk screw M12x90	10981188	Turning knob
10978303	O-ring 66.00x2.50 N 70	10981227	Coiled spring pin 4x12
10978345	Rollpin tooth.slot 5x30	10981242	Motor plate
10978383	Arrester rail stopper	10981283	Centre ring el. motor
10978618	Lever bolt	10981536	Hexagon nut M8 x0.5D
10978620	Holding plate left	10982285	Feed motor cover
10978802	Traction drive housing	10982734	Terminal block 5pole/1mm ²
10978997	Drive shaft bearing	10982736	Terminal block 7pole/1mm ²
10979106	Distance piece	10982754	Feed motor housing
10979115	Bearing bush 25/32x20	10983316	Slotted screw M2x14
10979400	Support plate	10983372	Sealing cover 5mm
10979436	Motor locking flange	10983805	O-ring 42.00x1.50 N 70
10979454	Handle	10983806	O-ring 64.00x2.00 N 70
10979456	Latch	10984556	Guide roll
10979471	Coupling LP-006-0-WR013	10987286	O-ring 5.00x1.50 N 70
10979472	Holding plate right	10987314	Shim ring dia 12/18x2

WSE1217★★★

10988170	Socket screw M3x20 12.9	10994271	Swivel arm housing
10988768	Serrated washer M4	10997279	Threaded pin M5
10988805	Operating hour meter	10997496	Shaft seal AS 25 / 35 / 7 NBR
10988872	TY-HS type plate 38x30		
10990297	Sealing washer		
10990389	Hub pinion z68		
10990391	Swivelling gear		
10990394	Intermediate gear z47		
10990395	Main drive pinion z20		
10990396	Main drive shaft		
10990398	Swivel arm cover		
10990406	Friction film Ekagrip		
10990408	Cover		
10990770	Sh. seal A 30/50/7 FPM		
10990771	Spacer disc dia 45		
10990828	B-flange		
10990837	Sleeve		
10990838	Motor flange		
10990841	A-flange		
10990842	Sealing plug		
10990846	O-ring 140.00x2.50 N 70		
10990851	O-ring 56x2.00 N 70		
10990878	Gr. ball bear. 6006-2RS		
10990879	Gr. ball bear. 6006-2Z C4		
10990893	Stator WSE1217		
10990894	Rotor WSE1217		
10990896	Socket screw flhd M6x30		
10991343	Bow-type handle		
10991344	Terminal block 3pole/4mm ²		
10991345	Terminal block 4pole/1mm ²		
10991347	Socket screw M4x50		
10991348	Socket screw M2x16		
10991349	Circlip bore dia 24		
10991350	Cyl. roll.bear. NUP207ECP		
10991477	El. cable assy motor 8m		
10991521	Connecting tube w/wire		
10991653	Cable sleeve 12x16x3 DA		
10991720	Clutch flange wall saw		
10991721	Clutch flange motor		
10991724	Straight pin 6m6 x 50		
10994196	Ring		
10994270	Swivel arm housing		

